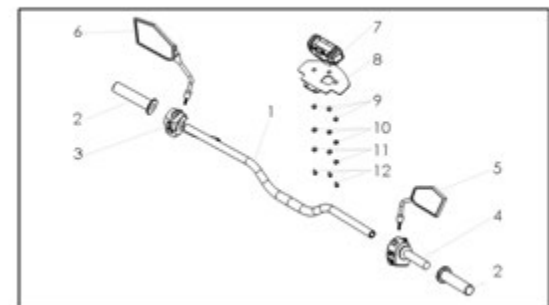
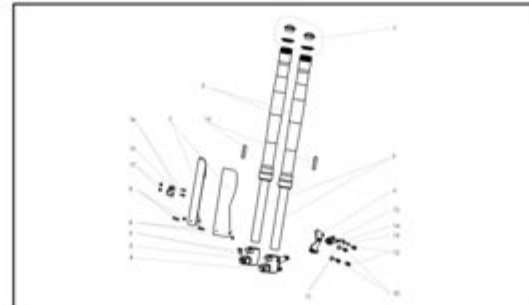
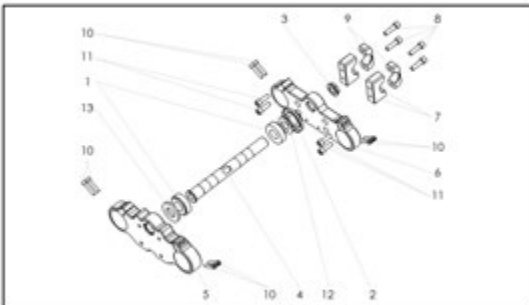
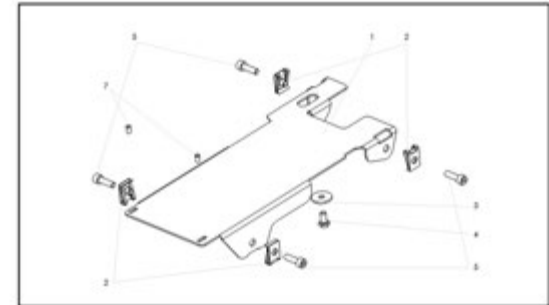
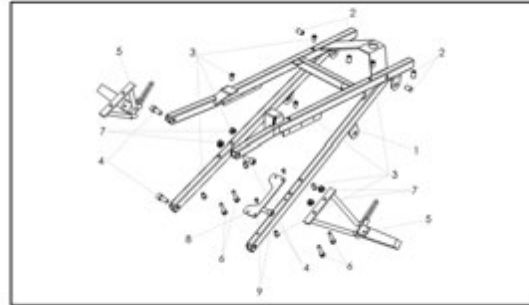
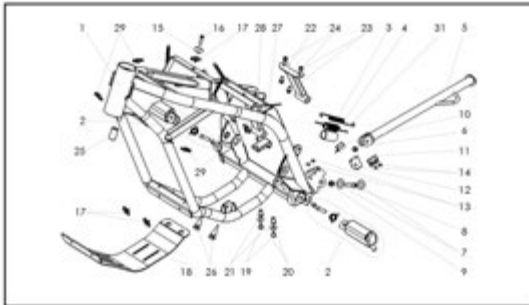


em
electricmotion

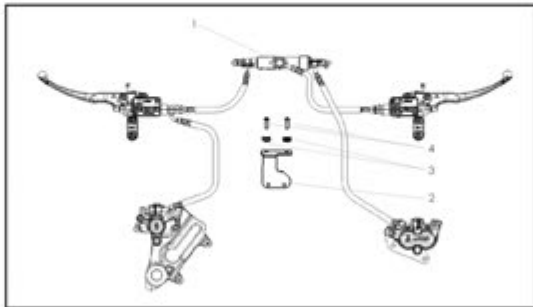


ETrek

2017-2018
PART LIST

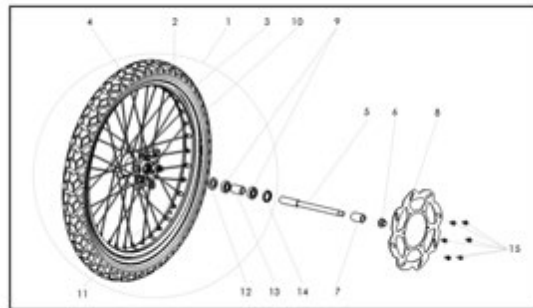


em FREINAGE / BRAKING 7



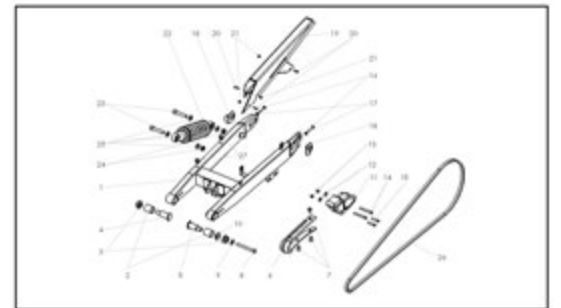
15

em ROUE AVANT / FRONT WHEEL 8



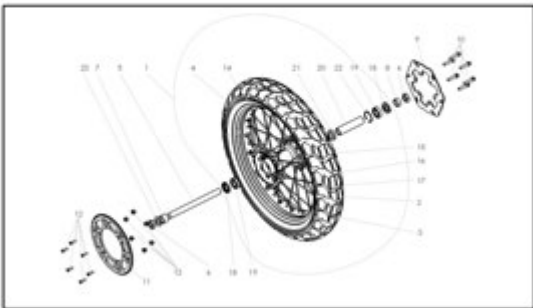
17

em SUSPENSION ARRIERE / REAR SUSPENSION 9



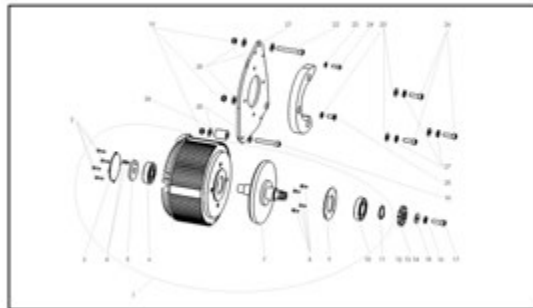
19

em ROUE ARRIERE / REAR WHEEL 10



21

em MOTEUR / MOTOR 11



23

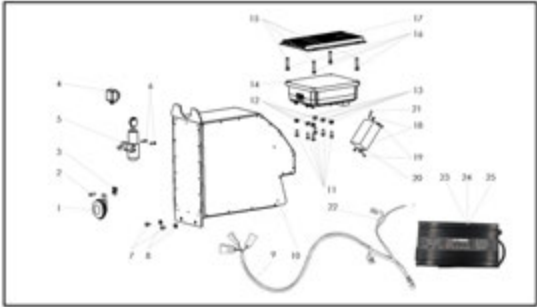
em LUMIERES / LIGHTS 12



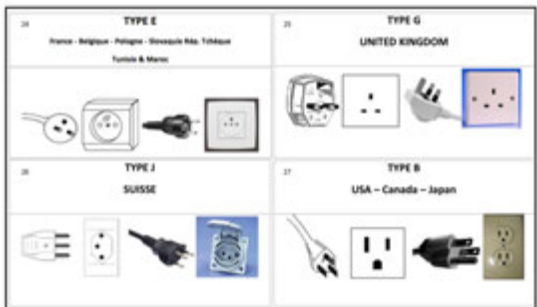
25

SOMMAIRE / INDEX

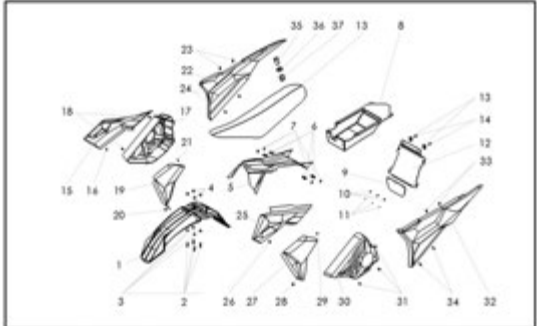
em FAISCEAU / ELECTRIC INSTALLATION 13



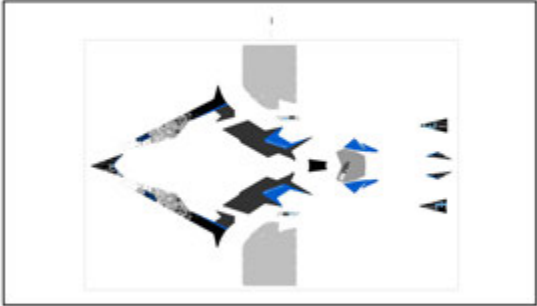
em CHARGEUR / CHARGER 14

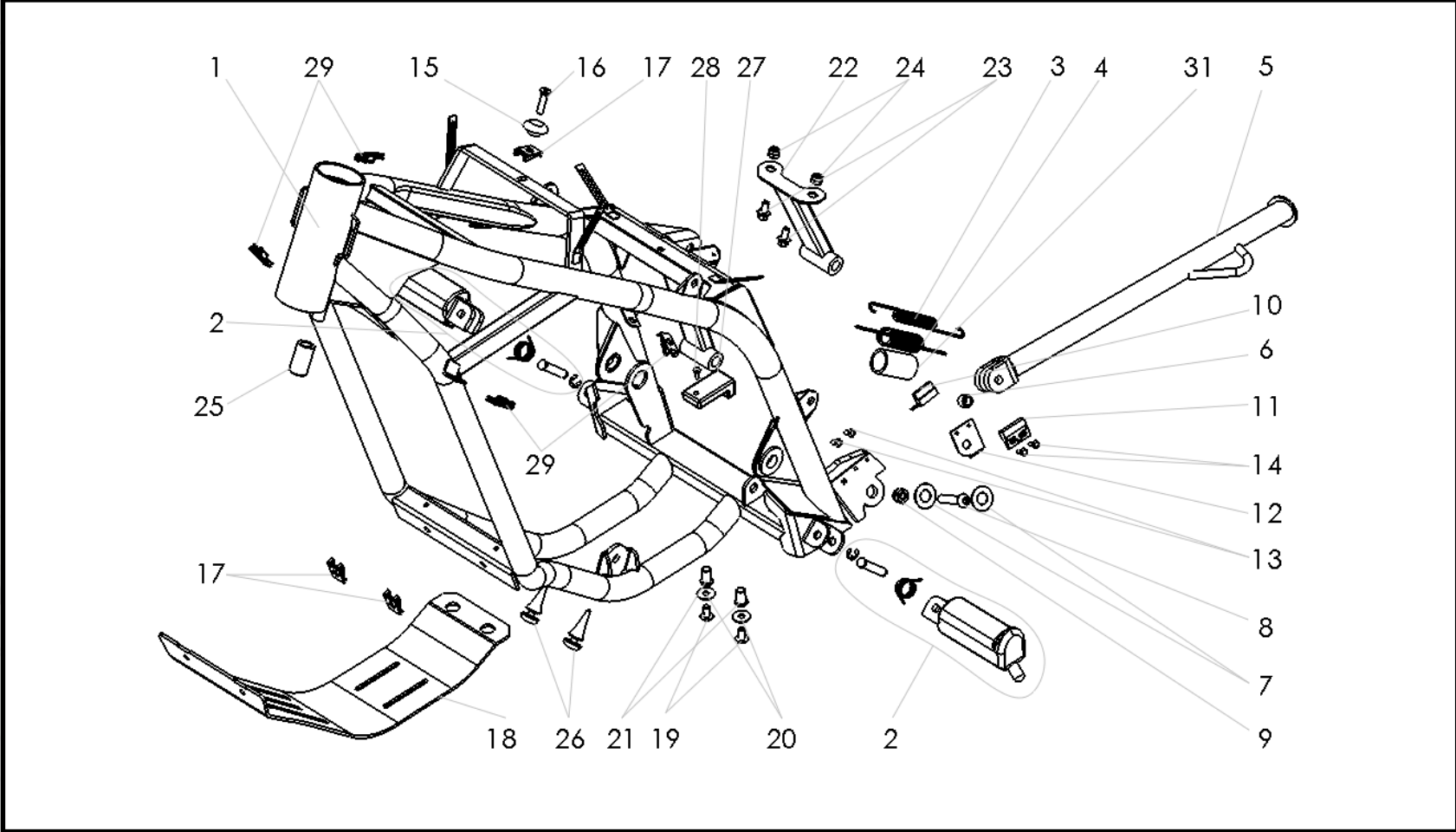


em PLASTIQUES / PLASTICS 15

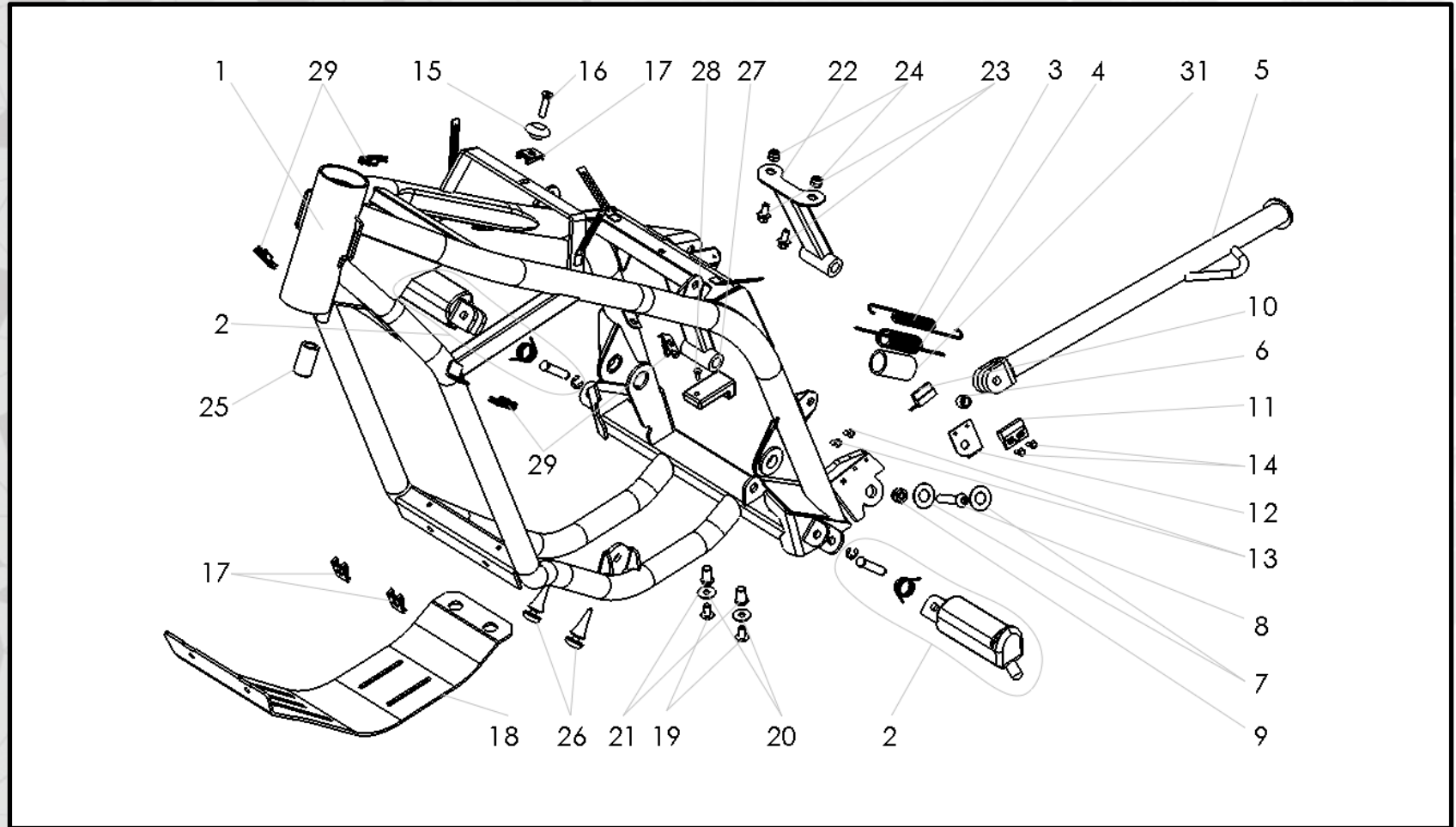


em STICKERS EM 17

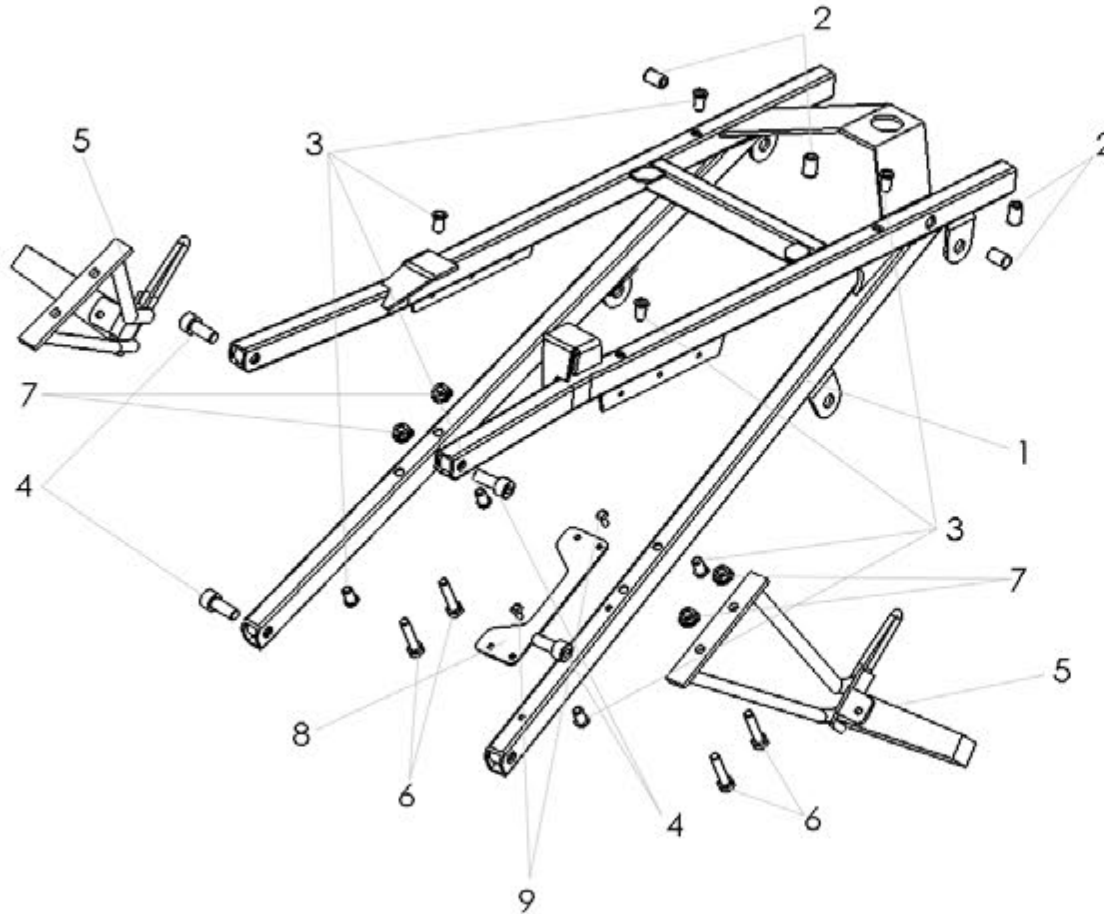




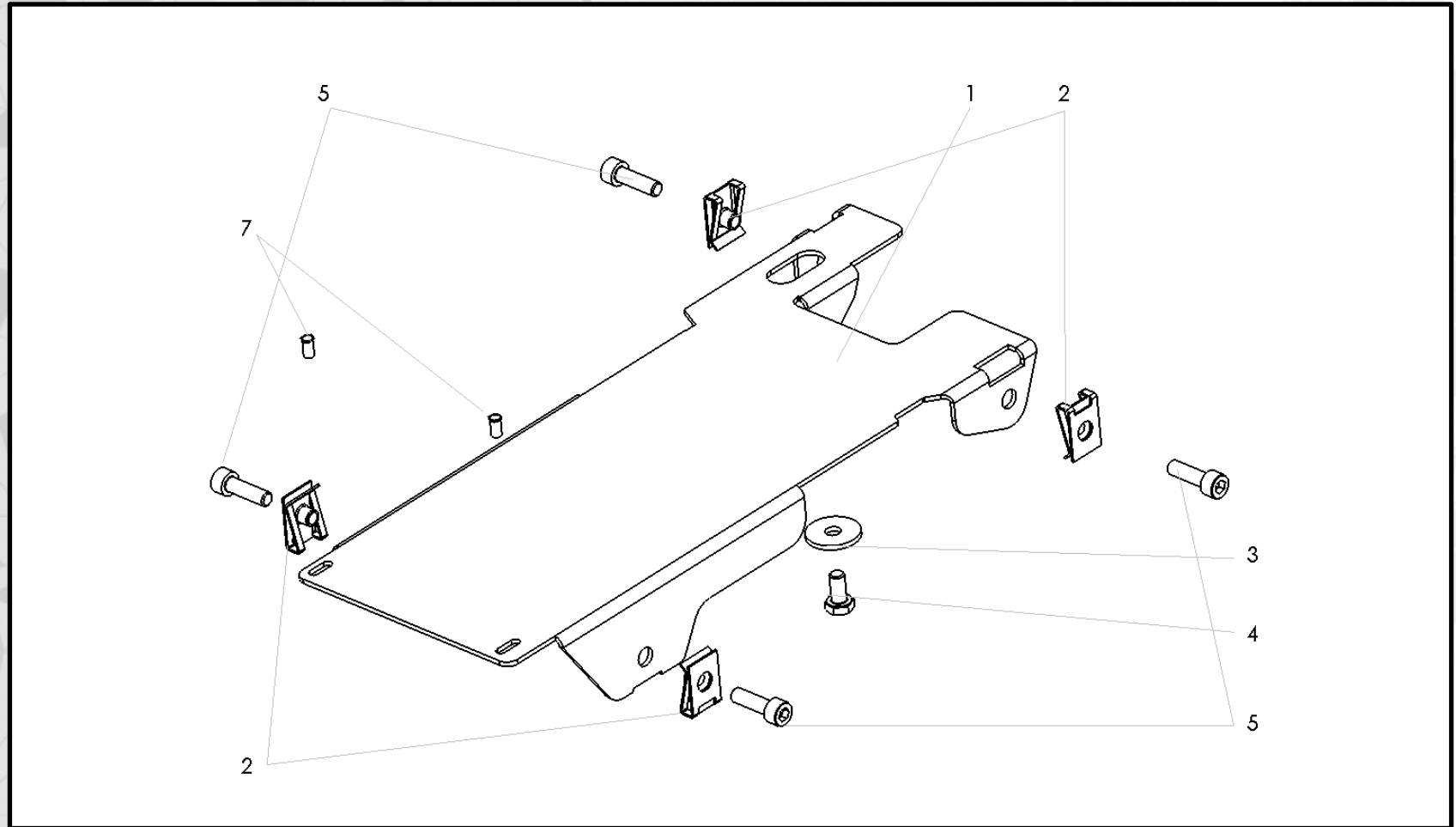
N°	REFERENCE	FRANCAIS	ENGLISH	QUANTITY
1	RL01F-10101-00-00	CADRE TREK	FRAME TREK	1
2	RL01F-10105-00-00	KIT COMPLET CALE PIED PAIRE	COMPLETE KIT FEET SUPPORT PAIR	1
3	RL01F-30123-00-00	RESSORT DE BEQUILLE INTERIEUR	INSIDE STAND SPRING	1
4	RL01F-30123-01-00	RESSORT DE BEQUILLE EXTERIEUR	OUTSIDE STAND SPRING	1
5	RL01F-30121-00-00	BEQUILLE SEULE	KICKSTAND	1
6	RL01F-30124-00-00	ENTRETOISE ACIER BEQUILLE	STEEL SPACER KICKSTAND	1
7	0R008-12024-02-00	RONDELLE PLASTIQUE BEQUILLE	WASHER PLASTIC KICKSTAND	1
8	0V040-08035-00-00	VIS BHC M8X35	SCREW BHC M8X35	1
9	0EC08-08000-00-00	ECROU NYLSTOP M8	NUT NYLSTOP M8	1
10	RL01F-60622-00-00	CAPTEUR BEQUILLE	KICKSTAND SENSOR	1
11	RL01F-60623-00-00	AIMANT CAPTEUR BEQUILLE	SENSOR MAGNET KICKSTAND	1
12	RL01F-60513-00-00	SUPPORT CAPTEUR BEQUILLE	SENSOR SUPPORT KICKSTAND	1
13	ORV01-030110-11-00	RIVET 3,2X11	RIVET 3,2X11	2
14	ORV01-03008-00-N0	RIVET AIMANT CAPTEUR BEQUILLE	KICKSTAND SENSOR MAGNET RIVET	2
15	RL01F-60620-00-02	PION DE SELLE	SEAT PIECE	1
16	0V040-06025-00-00	VIS BHC M6X25	SCREW BHC M6X25	1
17	0CE06-16024-09-ZI	AGRAFE M6	CLIP M6	3
18	RL01F-10104-00-00	SABOT TREK	ENGINE PROTECTION TREK	1
19	0V040-06016-02-00	VIS BHC EMBASE M6X16	SCREW BHC BASE M6X16	2
20	0R001-06018-02-00	RONDELLE M6 LARGE	LARGE WASHER M6	2



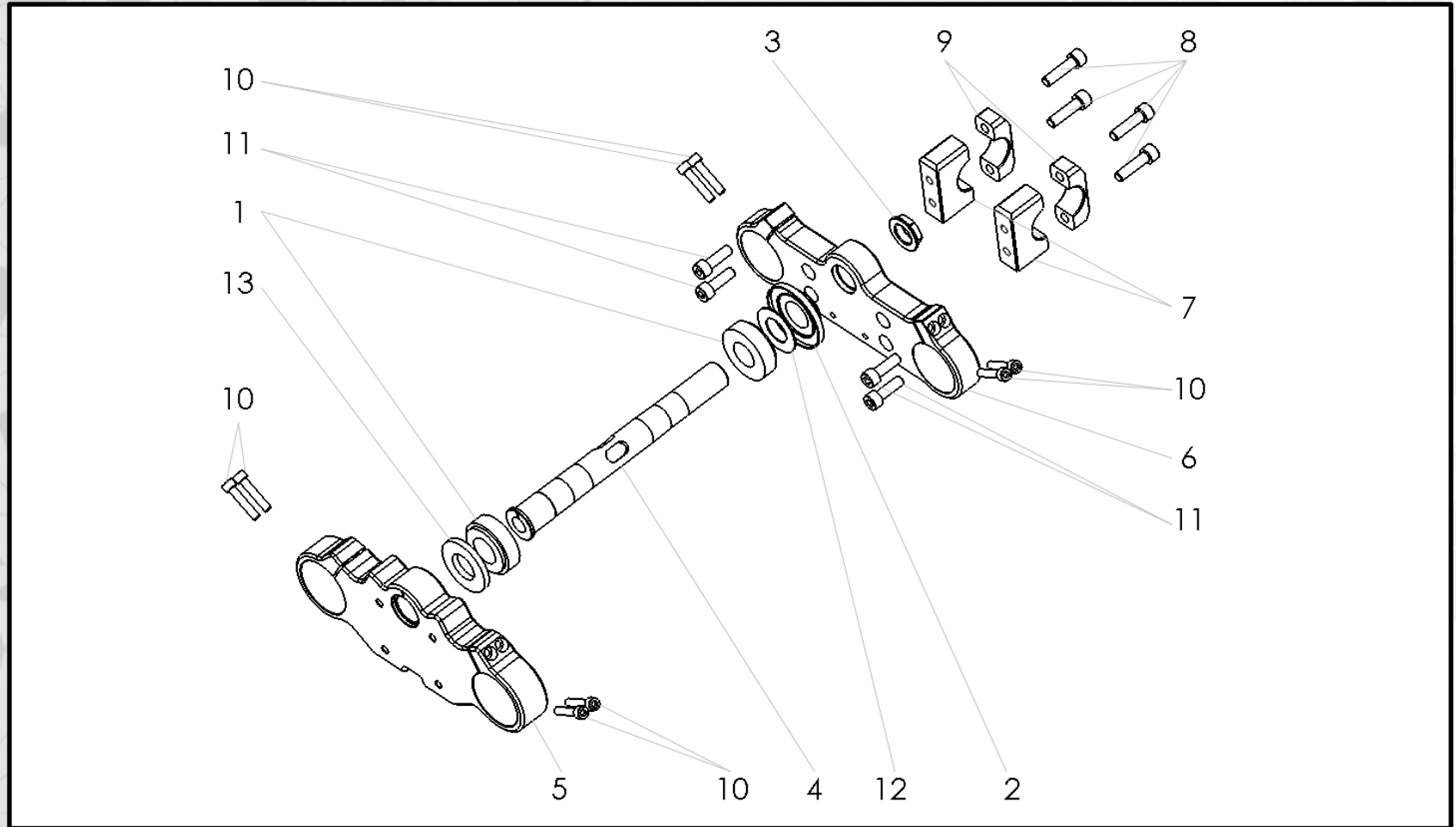
N°	REFERENCE	FRANCAIS	ENGLISH	QUANTITY
21	0EC10-06015-00-00	RIVET TUBULAIRE M6	TUBULAR RIVET M6	2
22	RL01F-10201-00-00	SUPPORT TRANSMISSION	TRANSMISSION SUPPORT	1
23	0V150-06012-00-00	VIS TH EMBASE M6X12	SCREW TH BASE M6X12	2
24	0EC08-06000-00-00	ECROU NYLSTOP M6	NUT NYLSTOP M6	2
25	RL01F-20512-00-00	EMBOUT CAOUTCHOUC BUTEE	CAOUTCHOUC TIP	1
26	0SL00-06010-04-00	BUTEE SABOT	ENGINE PROTECTION STOP	2
27	RL01F-60344-00-00	PATIN DE CHAINE CADRE	FRAME CHAINE PAD	1
28	0RV01-04012-16-NO	RIVET 4X18 NOIR	RIVET 4,8X16 BLACK	1
29	0CE05-15620-00-00	AGRAFE M5	CLIP M5	4
30	0R001-08018-02-00	RONDELLE M8	PLAINWASHER M8	1
31		GAINE THERMOFORMABLE BEQUILLE	SHEATH THERMO KICKSTAND	1



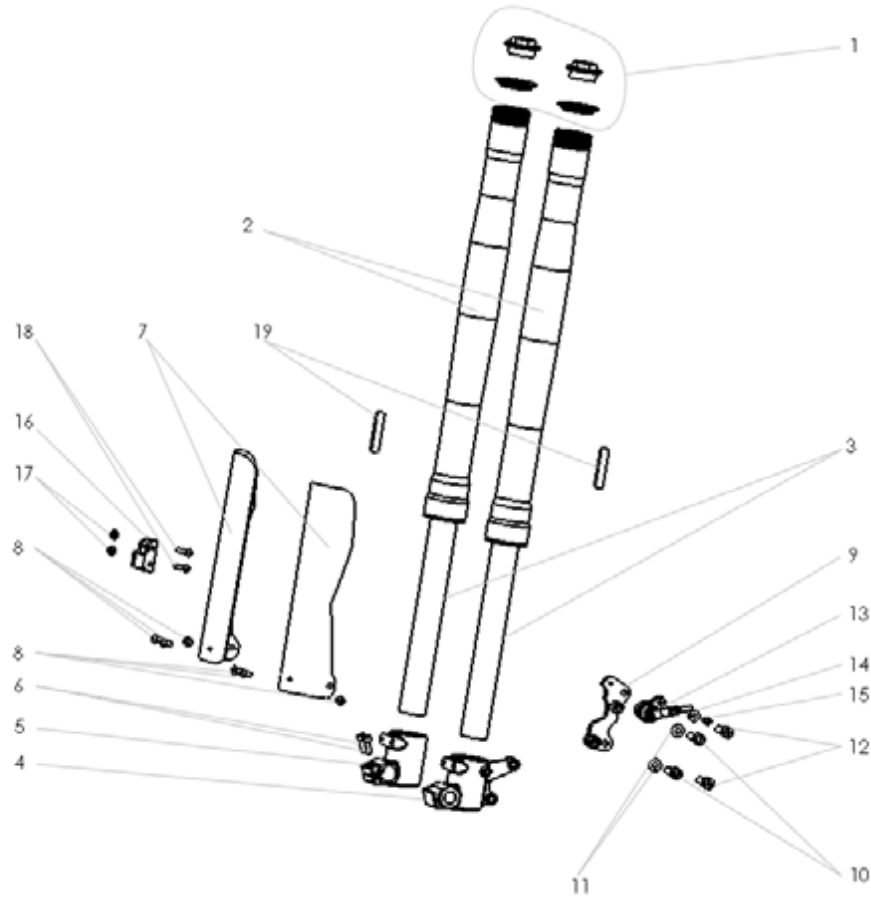
N°	REFERENCE	FRANCAIS	ENGLISH	QUANTITY
1	RL01F-10201-00-00	BOUCLE ARRIERE	REAR SUBFRAME	1
2	0EC10-06015-00-00	RIVET TUBULAIRE M6	TUBULAR RIVET M6	4
3	0EC10-05013-00-00	RIVET TUBULAIRE M5	TUBULAR RIVET M5	8
4	0V010-08020-01-00	VIS CHC M8X20 TETE BASSE	SCREW CHC M8X20	4
5	RL01F-60508-00-00	CALE PIED PASSAGER	FOOT SUPPORT PASSENGER	1
6	0V005-06030-00-00	VIS TH M6X30	SCREW TH M6X30	4
7	0EC08-06000-00-00	ECROU NYLSTOP M6	NUT NYLSTOP M6	4
8	RL01F-60502-00-00	SUPPORT CONVERTISSEUR	CONVERTER SUPPORT	1
9	0RV01-04008-10-00	RIVET 4X10	RIVET 4X10	2



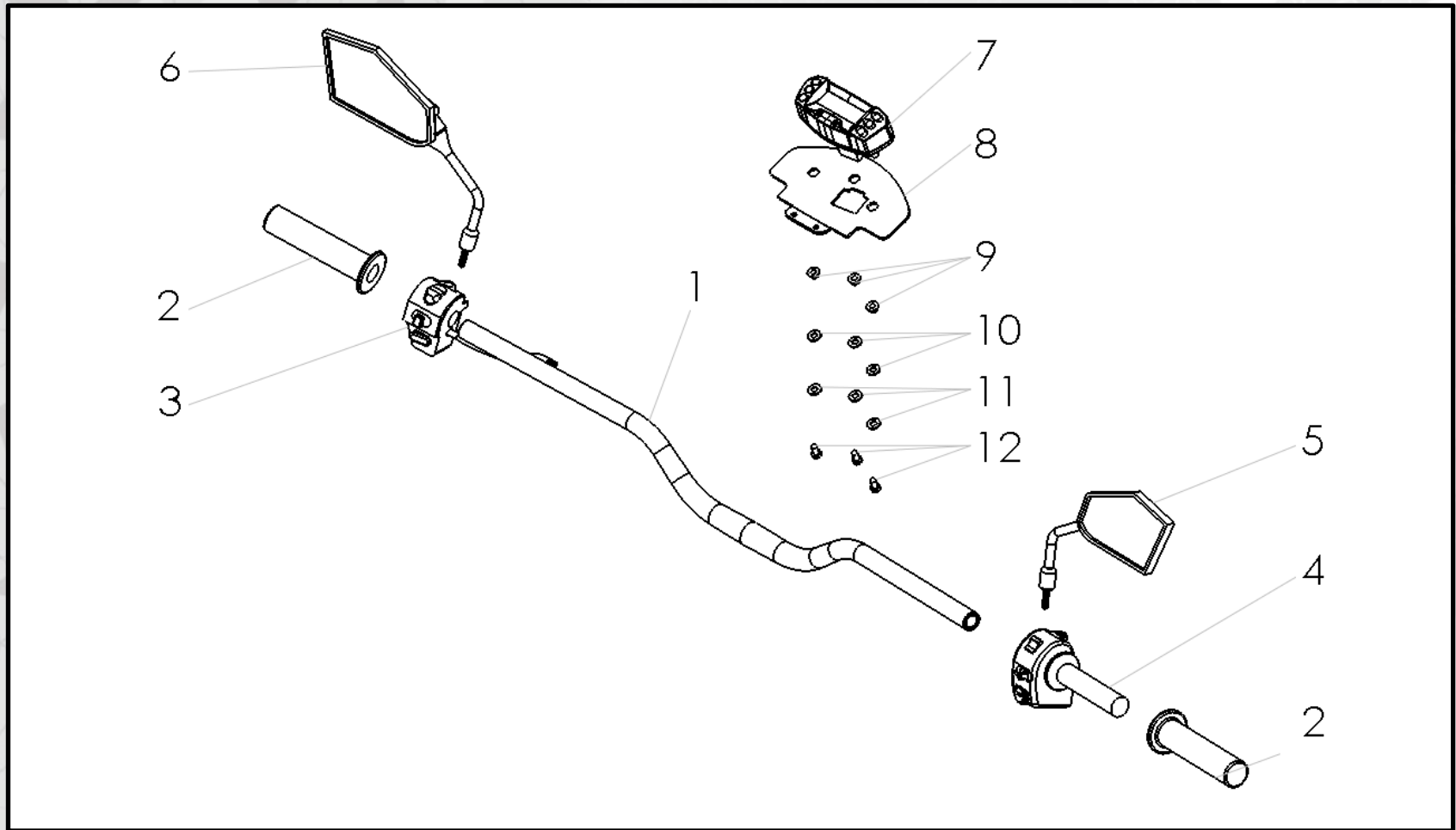
N°	REFERENCE	FRANCAIS	ENGLISH	QUANTITY
1	RL01F-10203-00-00	SUPPORT PACK	SUPPORT PACK	1
2	OCE06-16024-09-ZI	AGRAFE M6	CLIP M6	4
3	0R001-06018-02-00	RONDELLE M6 LARGE	LARGE WASHER M6	1
4	0V050-06012-00-00	VIS TH M6X16	SCREW TH M6X16	1
5	0V040-06016-00-00	VIS CHC M6X16	SCREW CHC M6X16	4
7	0RV01-04008-10-00	RIVET 4X10	RIVET 4X10	2



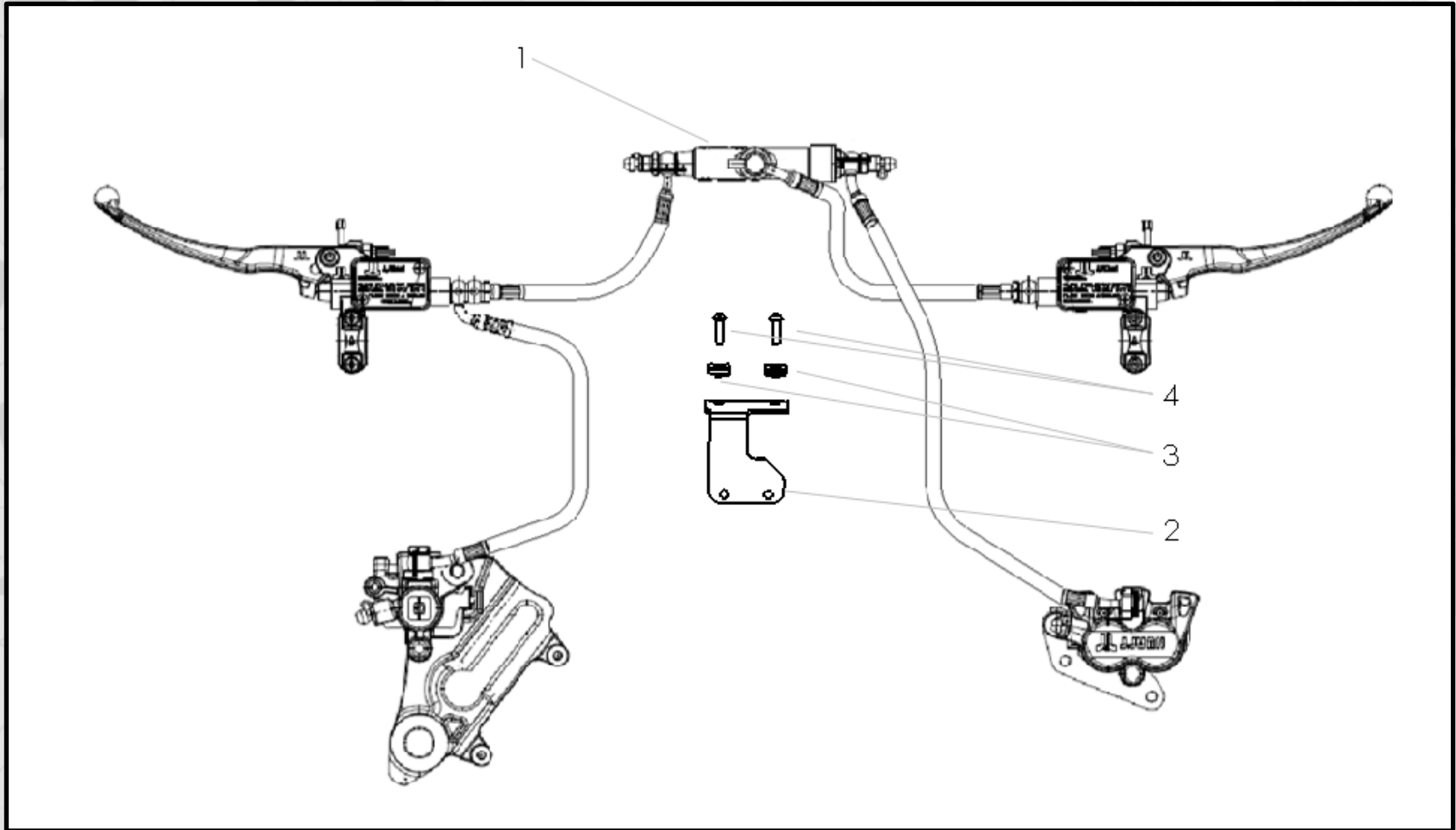
N°	REFERENCE	FRANCAIS	ENGLISH	QUANTITY
1	RL01F-20508-00-00	KIT ROULEMENTS COLONNE DIRECTION HAUT ET BAS	KIT STEERING COLUMN BEARING UP AND DOWN	1
2	RL01F-20505-00-00	ECROU PRESSION	PRESSURE BOLT	1
3	RL01F-20507-00-00	ECROU PIVOT 22	STEERING AXLE TOP NUT 22	1
4	RL01F-20503-00-00	PIVOT DIRECTION	PIVOT STEERING	1
5	RL01F-20501-00-00	TE INFERIEUR	BOTTOM PLAT FORK	1
6	RL01F-20502-00-00	TE SUPERIEUR	UPPER PLAT FORK	1
7	RL01F-20510-01-00	PONTET INFERIEUR	LOWER JUMPER	2
8	0V010-08030-00-00	VIS CHC M8X25	SCREW CHC M8X25	4
9	TL01L-20510-02-00	PONTET SUPERIEUR	UPPER JUMPER	2
10	0V010-06025-00-00	VIS CHC M6X25	SCREW CHC M6X25	8
11	0V010-08025-00-00	VIS CHC M8X30	SCREW CHC M8X30	4
12	RL01F-20513-00-00	RONDELLE SUPERIEURE	SUPERIOR PLAINWASHER	1
13	RL01F-20504-00-00	RONDELLE DE DIRECTION INFERIEURE	INFERIOR STEERING PLAINWASHER	1



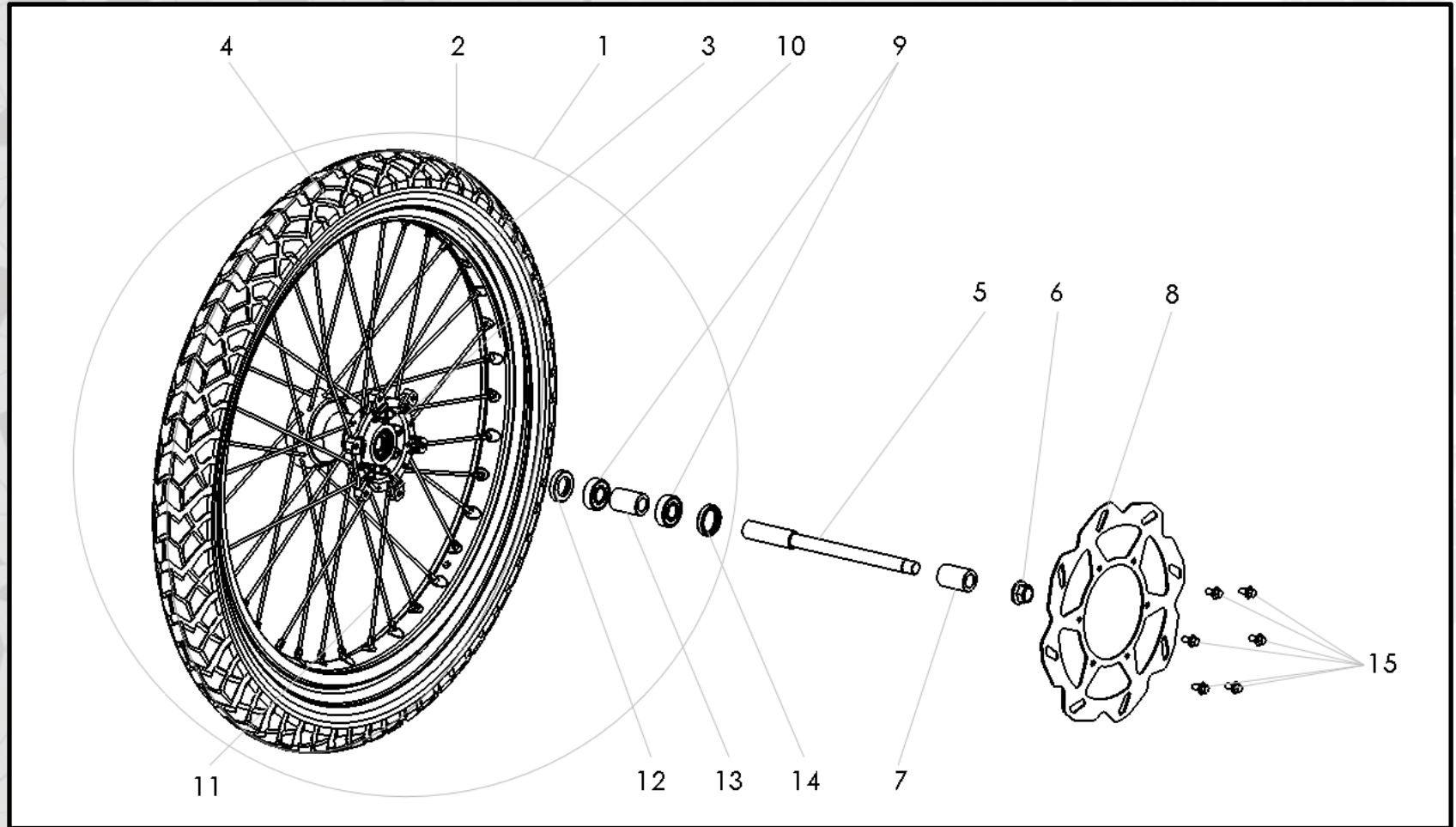
N°	REFERENCE	FRANCAIS	ENGLISH	QUANTITY
1	RL01F-20114-00-00	BOUCHONS DE FOURCHE	FORK CAPS	2
2	RL01F-20102-00-00	TUBE DE FOURCHE	FORK TUBE	2
3	RL01F-20106-00-00	JAMBE DE FOURCHE	FORK STRUT	2
4	RL01F-20104-00-00	PIED DE FOURCHE GAUCHE	LEFT FORK FOOT	1
5	RL01F-20105-00-00	PIED DE FOURCHE DROIT	RIGHT FORK FOOT	1
6	0V040-06016-00-00	VIS CHC M6X16	SCREW CHC M6X16	2
7	RL01F-60320-00-00	PROTECTION FOURCHE	FORK PROTECTION	2
8	0V040-06010-02-00	VIS BHC EMBASE M6X10	SCREW BHC BASE M6X10	6
9	RL01F-20224-00-00	PATTE DE DEPORT ETRIER DE FREIN	OFFSET PLATE BRAKE	1
10	0V010-08025-00-00	VIS CHC M7X35	SCREW CHC M7X35	2
11	0R001-07020-02-00	RONDELLE M7	WASHER M7	2
12	0V010-08025-00-00	VIS CHC M8X16	SCREW CHC M8X16	2
13	RL01F-60611-00-00	CAPTEUR VITESSE	SPEED SENSOR	1
14	0R008-05015-01-00	RONDELLE PLASTIQUE M5	PLASTIC WASHER M5	1
15	0V04-05016-02-00	VIS BHC EMBASE M5X16	SCREW BHC BASE M5X16	1
16	RL01F-30153-00-00	PASSE DURITE	HOSE HOLDER	1
17	0EC08-05000-00-00	ECROU NYLSTOP M5	NUT NYLSTOP M5	2
18	0V100-05020-00-00	VIS BHC EMBASE M5X20	SCREW BHC BASE M5X20	2
19	RL01F-60615-01-00	CATADIOPTRE FOURCHE	FORK REFLECTOR	2



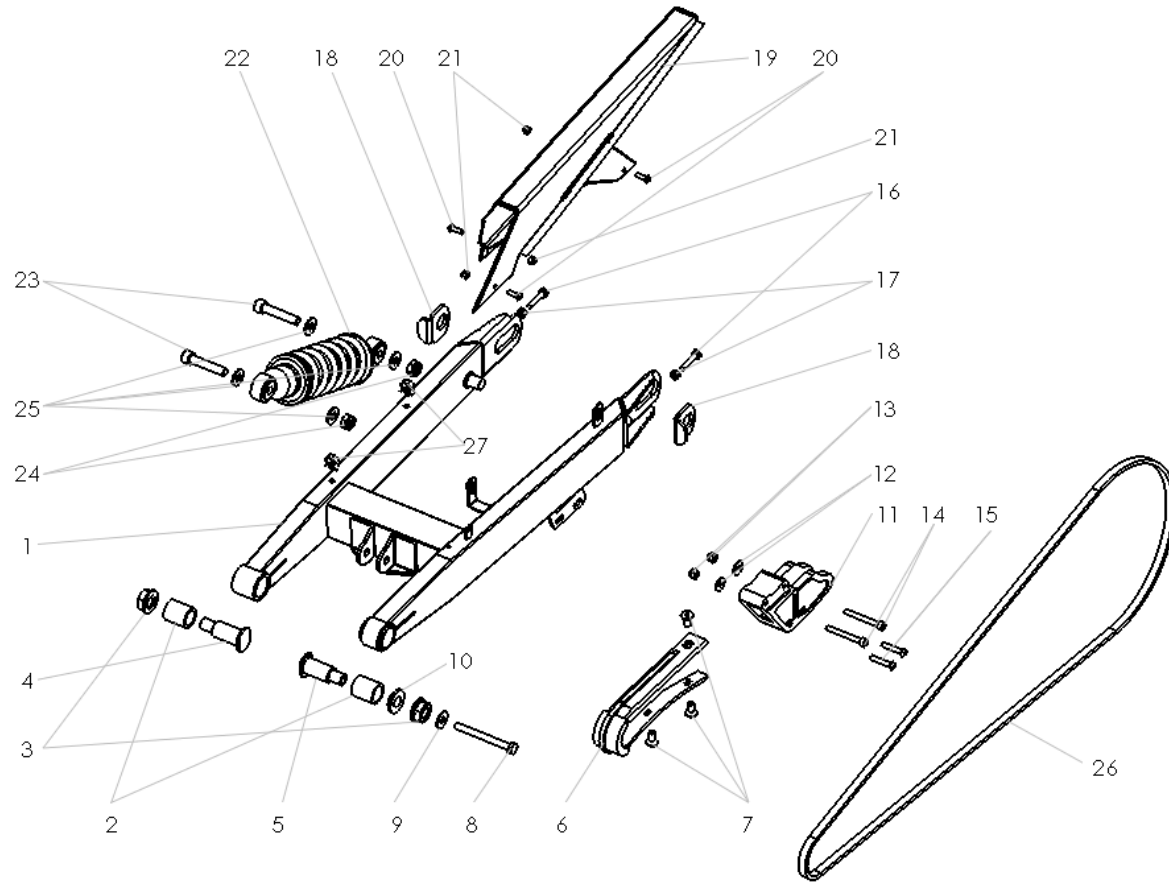
N°	REFERENCE	FRANCAIS	ENGLISH	QUANTITY
1	TL01L-20511-00-00	GUIDON COULEUR TITANE	TITANIUM STYLE HANDLEBAR	1
2	RL01F-60405-00-00	GRIP PAIRE	GRIP SET	1
3	RL01F-60618-00-00	COMMODO GAUCHE	LEFT COMMODO	1
4	RL01F-60401-00-00	POIGNEE ACCELERATEUR + COMMODO DROIT	HANDLE THROTTLE + RIGHT COMMODO	1
5	RL01F-60605-00-00	RETROVISEUR DROIT	RIGHT MIRROR	1
6	RL01F-60604-00-00	RETROVISEUR GAUCHE	LEFT MIRROR	1
7	RL01F-60610-00-00	COMPTEUR	SPEEDOMETER	1
8	RL01F-60503-00-00	PLATINE SUPPORT COMPTEUR	SPEEDOMETER FIXING DEVICE	1
9	0E008-11013-16-04	ENTRETOISE EPAULE CAOUTCHOUC	CAOUTCHOUC STRUTTER	3
10	0R008-05010-01-00	RONDELLE CAOUTCHOUC	CAOUTCHOUC PLAINWASHER	3
11	0R001-05010-01-00	RONDELLE M5	PLAINWASHER M5	3
12	0V110-04010-00-N0	VIS TÔLE 4,2X9,5	METAL SCREW 4,2X9,5	3



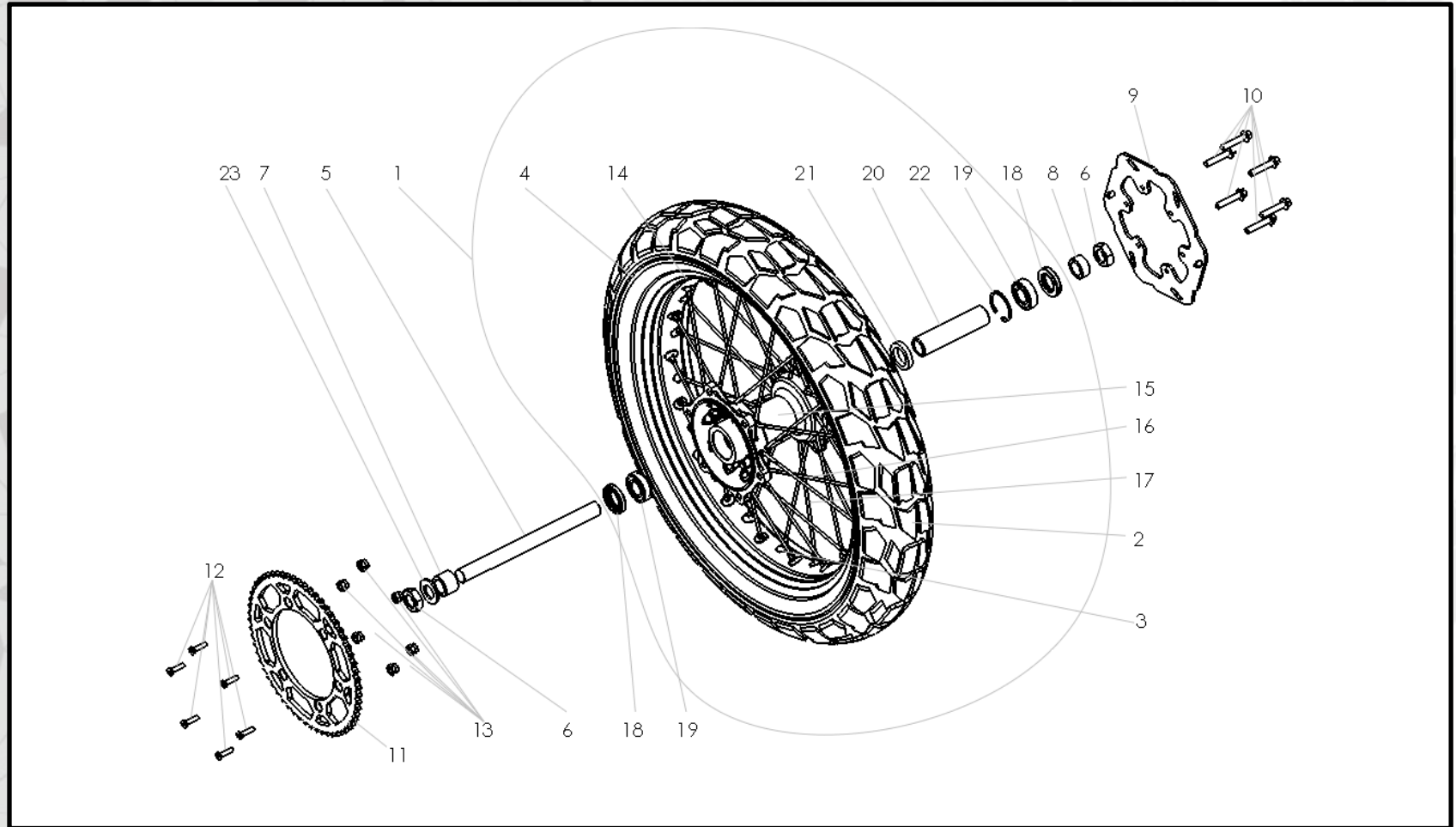
N°	REFERENCE	FRANCAIS	ENGLISH	QUANTITY
1	RL01F-20200-00-00	LIGNE DE FREIN COMPLETE	COMPLETE BRAKE SYSTEME	1
2	RL01F-60514-00-00	PLATINE SUPPORT CBS	SUPPORT PLATE CBS	1
3	OCE06-16024-09-ZI	AGRAPHE M6	CLIP M6	2
4	OV040-06035-00-00	VIS BHC M6X30	SCREW BHC M6X30	2



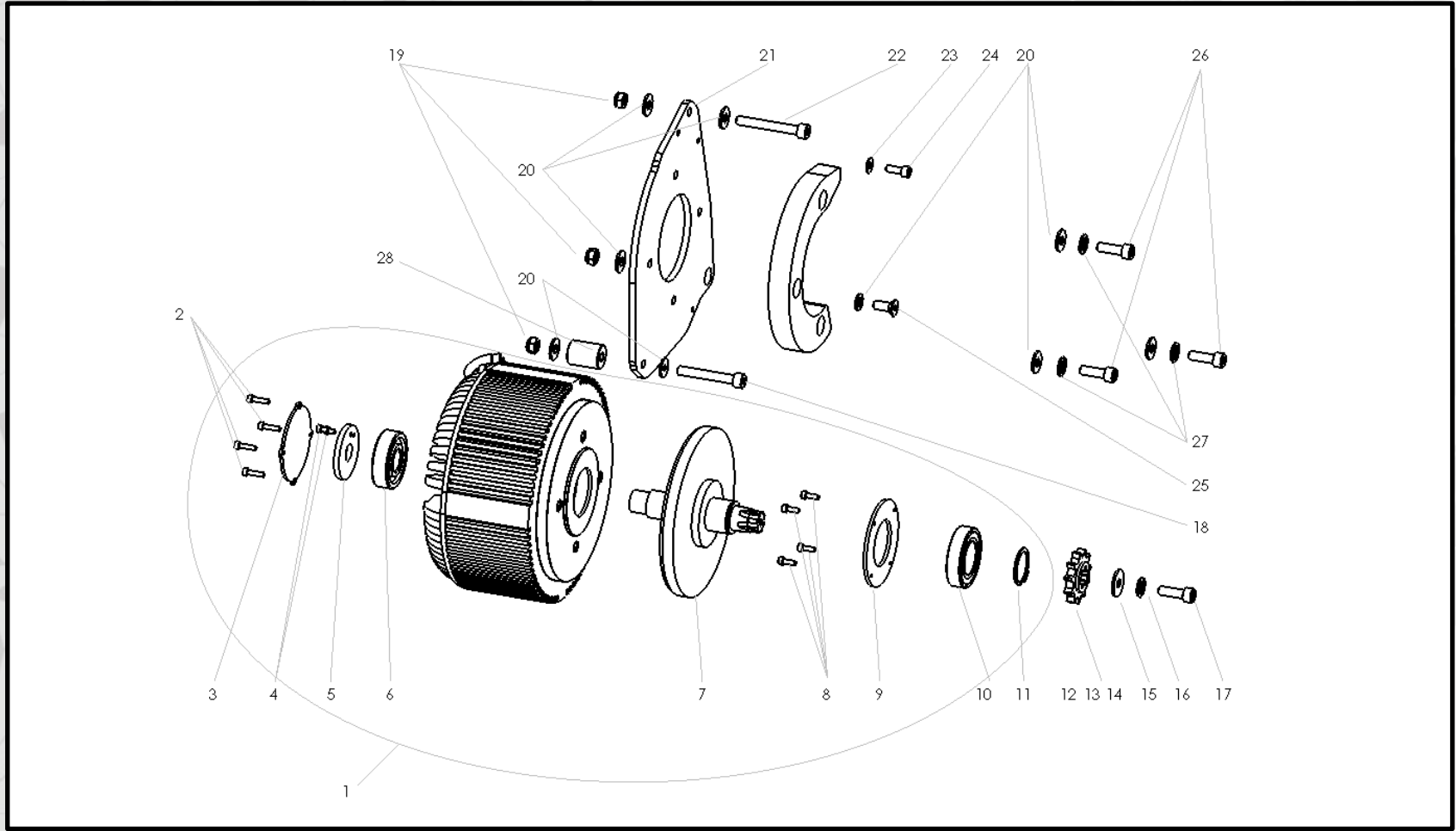
N°	REFERENCE	Français	ENGLISH	QUANTITY
1	RL01F-20301-00-00	ROUE AVANT	FRONT WHEEL	1
2	RL01F-20312-00-00	PNEU AV SIRAC 90/90-21	90/90-21 SIRAC FRONT TYRE	1
3	RL01F-20322-00-00	FOND DE JANTE AV	FRONT RIM	1
4	RL01F-20323-00-00	CHAMBRE A AIR AVANT	FRONT TUBE	1
5	RL01F-20403-00-00	AXE ROUE AVANT	FRONT WHEEL AXLE	1
6	RL01F-30103-00-00	ECROU AXE DE ROUE AVANT	FRONT WHEEL AXLE NUT	1
7	RL01F-20330-00-00	ENTRETOISE ROUE AVANT	FRONT WHEEL SPACER	1
8	RL01F-20222-00-00	DISQUE 260 MM	260MM DISC	1
9	0RBR1-6202-02-00	ROULEMENT ROUE AVANT	FRONT WHEEL BEARING	2
10	RL01F-20310-00-00	MOYEU	HUB	1
11	RL01F-20313-00-00	RAYON	SPOKE	
12	0SP25-03507-00-00	JOINT CACHE POUSSIERE COTE GAUCHE	COVER DUST SEAL LEFT SIDE	1
13	RL01F-20316-00-00	ENTRETOISE MOYEU	HUB SPACER	1
14	0SP20-03507-00-00	JOINT CACHE POUSSIERE COTE DROIT	COVER DUST SEAL RIGHT SIDE	1
15	0V050-06012-00-00	VIS TH M6X12	SCREW TH M6X12	6



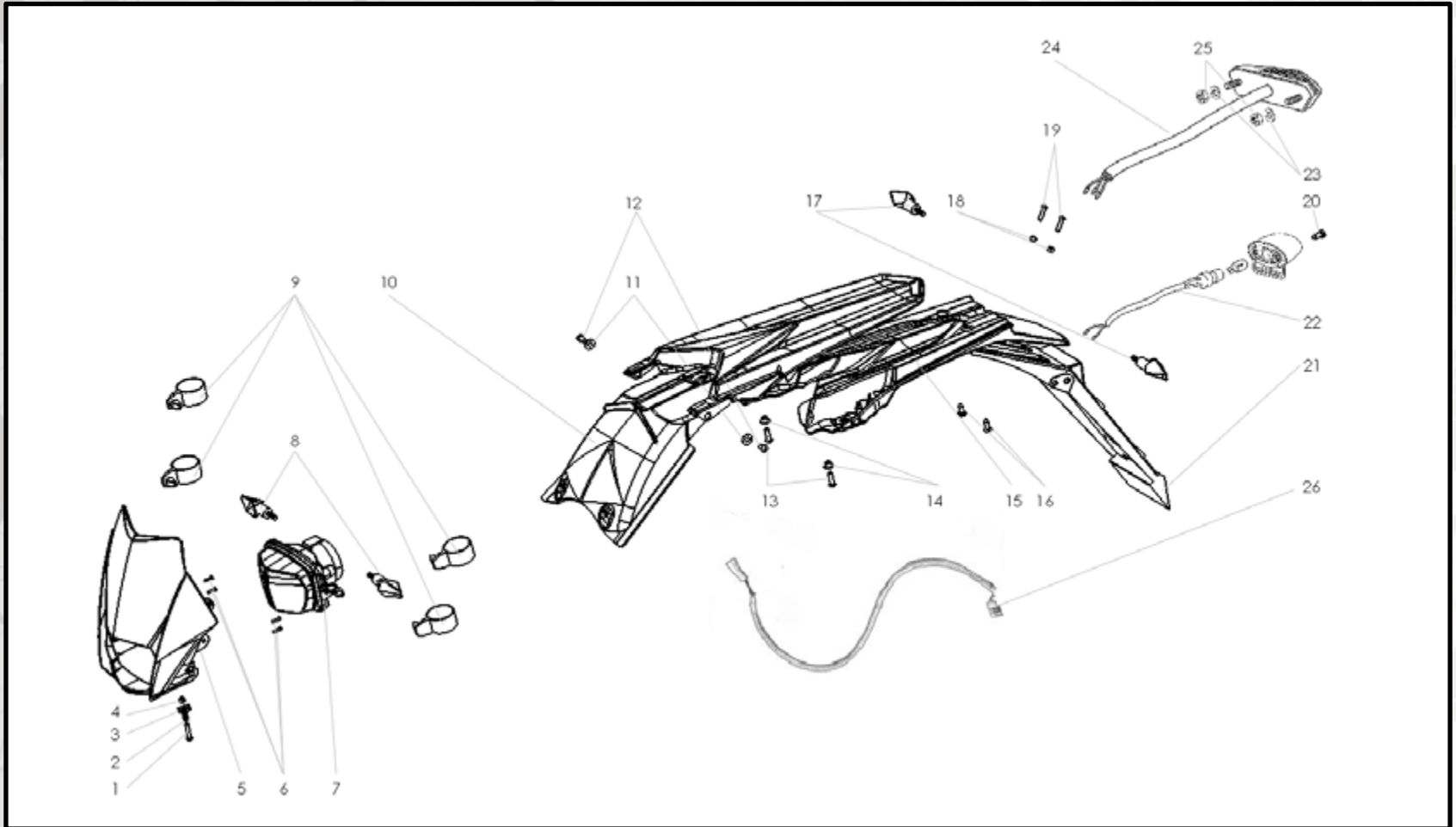
N°	REFERENCE	FRANCAIS	ENGLISH	QUANTITY
1	RL01F-30101-00-00	BRAS OSCILLANT	SWINGARM	1
2	RL01F-30106-00-00	IGUS 2026-30	IGUS 2026-30	2
3	TL01J-30103-00-00	ECROU ALU M14	ALUMINIUM NUT M14	2
4	RL01F-30151-00-00	SUPPORT DROIT BRAS	RIGHT SUPPORT ARM	1
5	RL01F-30150-00-00	SUPPORT GAUCHE BRAS	LEFT SUPPORT ARM	1
6	RL01F-30140-00-00	PATIN DE CHAINE	CHAIN PAD	1
7	0V020-08015-00-00	VIS FHC M6X15	SCREW FHC M6X15	3
8	0V010-08080-00-00	VIS CHC M8X80	SCREW M8X80	1
9	0R001-08025-02-00	RONDELLE M8 LARGE	LARGE PLAINWASHER M8	1
10	0R012-08018-00-00	RONDELLE CONTACT M8	CONTACT WASHER M8	1
11	RL01F-30152-00-00	GUIDE CHAINE	CHAIN GUIDE	1
12	0R001-06018-02-00	RONDELLE STANDARD M6	WASHER M6	2
13	0EC08-06000-00-00	ECROU M6 NYLSTOP	NUT NYLSTOP M6	2
14	0V040-06045-00-00	VIS BHC M6X50	SCREW BHC M6X50	2
15	0V040-06030-00-00	VIS BHC M6X35	SCREW BHC M6X35	2
16	0V050-06050-00-00	VIS TH M6X50	SCREW TH M6X45	2
17	0EC06-16024-09-ZI	ECROU M6 STANDARD	NUT M6	2
18	RL01F-30101-19-00	PLATINE REGLAGE ROUE	PLATINUM WHEEL ADJUSTEMENT	2
19	RL01F-70308-00-00	PROTEGE CHAINE	CHAIN PROTECTOR	1
20	0V040-05015-02-00	VIS CHC EMBASE M5X10	SCREW CHC M5X15	3
21	0EC07-05000-00-00	ECROU M5 BORGNE	NUT M5	3
22	RL01F-30401-00-00	AMORTISSEUR	DAMPER	1
23	0V010-10050-00-00	VIS CHC M10X50	SCREW CHC M10X50	2
24	0EC08-10000-00-00	ECROU NYLSTOP M10	NUT NYLSTOP M10	2
25	0R001-10020-02-00	RONDELLE M10	WASHER M10	4
26	0CHA4-28134-01-00	CHAINE 428 136 MAILLONS	CHAINE 428 136 LINKS	1
27	RL01F-30153-00-00	PASSE CABLE	CABLE DUCT	2



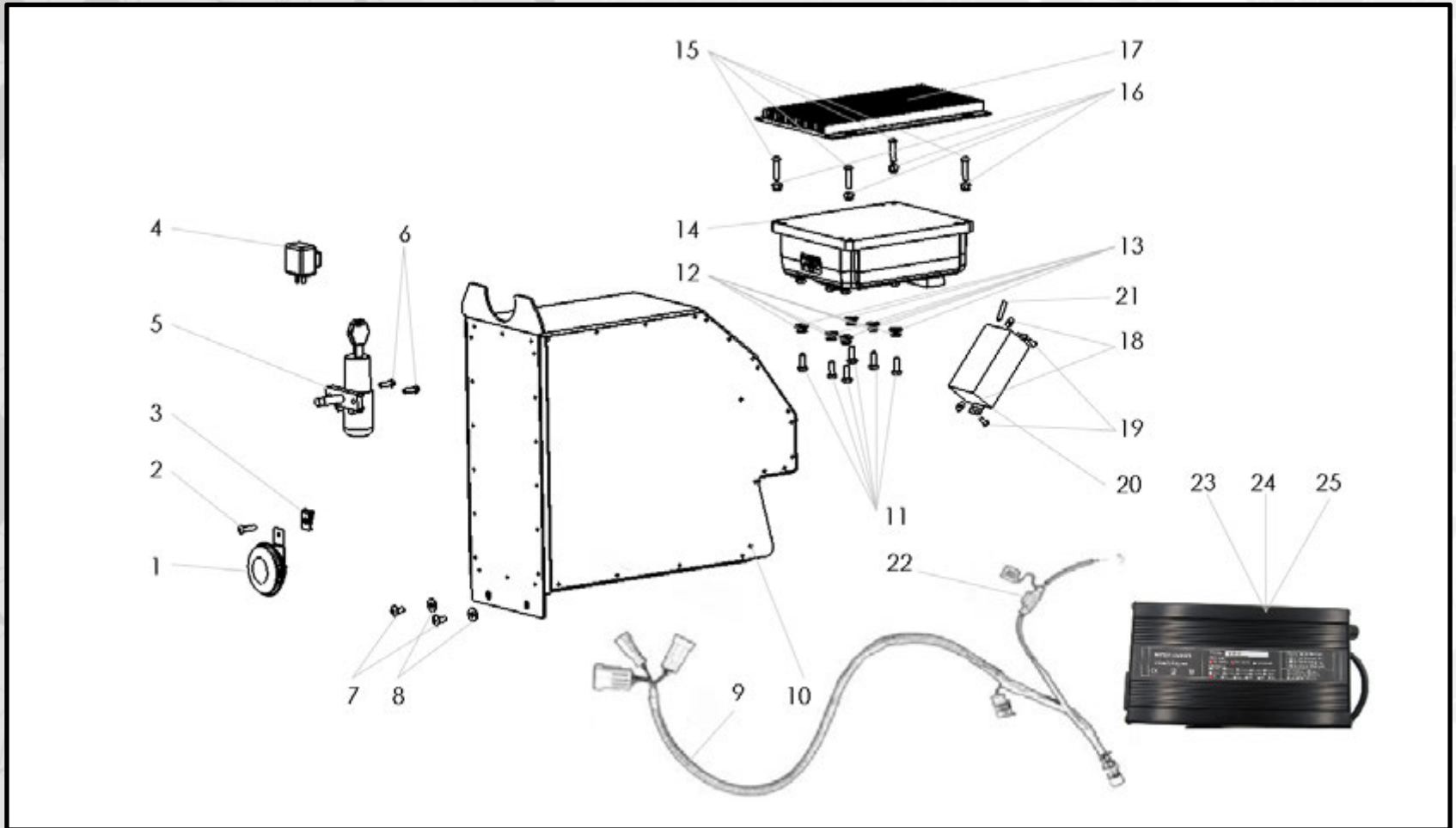
N°	REFERENCE	FRANCAIS	ENGLISH	QUANTITY
1	RL01F-30301-00-00	ROUE ARRIERE COMPLET	COMPLET REAR WHEEL	1
2	RL01F-30312-00-00	PNEU AR SIRAC 120/80-18	120/80-18 SIRAC REAR TYRE	1
3	RL01F-30322-00-00	FOND DE JANTE	REAR RIM	1
4	RL01F-30317-00-00	CHAMBRE A AIR ARRIERE	FRONT TUBE	1
5	RL01F-30302-00-00	AXE ROUE ARRIERE	FRONT WHEEL AXLE	1
6	0EC03-20009-00-00	ECROU BAS M20X150	LOW NUT M20X150	2
7	RL01F-3006-00-00	ENTRETOISE ROUE ARRIERE GAUCHE	BRACE LEFT REAR WHEEL	1
8	RL01F-3007-00-00	ENTRETOISE ROUE ARRIERE DROITE	BRACE RIGHT REAR WHEEL	1
9	RL01F-30203-00-00	DISQUE 220 MM	DISC 220 MM	1
10	0V040-06016-00-00	VIS BHC M6X16	SCREW BHC M6X16	6
11	0CR10-13662-63-00	COURONNE 63 DENTS	DRIVEN SPROCKET 63 TOOTH	1
12	0V020-08030-00-00	VIS FHC M8X30	SCREW FHC M8X30	6
13	0EC08-08000-00-00	ECROU NYLSTOP M8	NYLSTOP NUT M8	6
14	RL01F-30311-00-00	JANTE ARRIERE	REAR RIM	1
15	RL01F-30310-00-00	MOYEU	HUB	1
16	RL01F-30315-00-00	RAYON GAUCHE	SPOKE LEFT	1
17	RL01F-30316-00-00	RAYON DROITE	SPOKE RIGHT	1
18	OSP30-04207-00-00	JOINT CACHE POUSSIERE	COVER DUST SEAL	2
19	0RBR1-6004-02-00	ROULEMENT	BEARING	2
20	RL01F-30323-00-00	ENTRETOISE INTERNE	INSIDE SPACER	1
21	RL01F-30324-00-00	BAGUE ENTRETOISE INTERNE	INSIDE RING SPACER	1
22	RL01F-30325-00-00	ANNEAU ELASTIQUE INTERNE	INSIDE ELASTIC RING	1
23	0R001-21037-00-00	RONDELLE M20	PLAINWASHER M20	1



N°	REFERENCE	FRANCAIS	ENGLISH	QUANTITY
1	RL01F-40100-00-00	MOTEUR 6kW 48V COMPLET	ENGINE 6kW 48V	1
2	0V010-04016-00-00	VIS CHC M4X16	SCREW CHC M4X16	4
3	RL01F-40108-00-00	BOUCHON TOLE MOTEUR	SHEET COVER MOTOR	1
4	0V010-04006-00-00	VIS CHC M4X6	SCREW CHC M4X6	2
5	RL01F-40109-00-00	PLATINE ARRET AXIAL	AXIAL STOP PLATE	1
6	ORBR1-06304-01-00	ROULEMENT 6304	BEARING 6304	1
7	RL01F-40101-00-00	AXE MOTEUR	MOTOR AXLE	1
8	0V010-04012-00-00	VIS CHC M4X12	SCREW CHC M4X12	4
9	RL01F-40110-00-00	BRIDE FIXATION ROULEMENTS	PLAINWASHER FIXING BEARING	1
10	ORBR1-06006-01-00	ROULEMENT 6006	BEARING 6006	1
11	0CA00-00030-00-00	CIRCLIP ARBRE 30	SHAFT CIRCLIP 30	1
12	OP316-20428-10-10	PIGNON 10 DENTS	PINION 10 TOOTH	1
13	OP316-20428-11-10	PIGNON 11 DENTS	PINION 11 TOOTH	1
14	OP316-20428-13-10	PIGNON 13 DENTS	PINION 13 TOOTH	1
15	0R012-08018-00-00	RONDELLE LARGE M8	LARGE WASHER M8	1
16	0R012-08018-00-00	RONDELLE CONTACT M8	CONTACT WASHER M8	4
17	0V010-08025-00-00	VIS CHC M8X25	SCREW CHC M8X25	1
18	0V010-08055-00-00	VIS CHC M8X55	SCREW CHC M8X55	1
19	0EC08-08000-00-00	ECROU NYLSTOP M8	NUT NYLSTOP M8	3
20	0R001-08018-02-00	RONDELLE M8	PLAINWASHER M8	9
21	RL01F-50101-00-00	PLATINE SUPPORT MOTEUR	PLATE SUPPORT ENGINE	1
22	0V010-08060-00-00	VIS CHC M8X60	SCREW CHC M8X60	1
23	0R001-06018-02-00	RONDELLE M6	PLAINWASHER M6	1
24	0V040-06016-00-00	VIS CHC M6X16	SCREW CHC M6X16	1
25	0V020-08020-00-00	VIS FHC M8X20	SCREW FHC M8X20	1
26	0V010-08020-00-00	VIS CHC M8X20	SCREW CHC M8X20	1
27	0R012-08018-00-00	RONDELLE CONTACT M8	CONTACT WASHER M8	4
28	RL01F-50104-00-00	ENTRETOISE ALU PLATINE TRANSMISSION	ALUMINUM SPACER TRANSMISSION PLATE	1



N°	REFERENCE	FRANCAIS	ENGLISH	QUANTITY
1	0C040-05025-00-00	VIS BHC M5X25	SCREW BHC M5X25	1
2	1217055	RESSORT REGLAGE OPTIQUE	LIGHT SPRING ADJUSTER	1
3	0CE05-12816-00-00	AGRAFE M5	CLIP M5	1
4	0EC02-05000-00-00	ECROU M5	NUT M5	1
5	RL01F-70104-00-00	PLAQUE PHARE	HEADLIGHT PLASTIC	1
6	0V011-03013-04-00	VIS TOLE FRAISEE 2,9X13	METAL SCREW 2,9X13	4
7	RL01F-60602-00-00	OPTIQUE COMPLET	FRONT HEADLIGHT	1
8	RL01F-60607-00-00	CLIGNOTANT DROIT ET GAUCHE AVANT	FRONT TURN LIGHT RIGHT AND LEFT	2
9	RL01F-70106-00-00	BRIDE PLAQUE PHARE	PLASTIQUE HEADLIGHT CLAMP	4
10	RL01F-70302-00-00	GARDE BOUE ARRIERE	REAR MUDGUARD	1
11	0R001-06014-02-00	RONDELLE M6 LARGE	LARGE WASHER M6	2
12	0V040-06012-00-00	VIS BHC M6X12	SCREW BHC M6X12	2
13	0V040-06020-02-00	VIS BHC EMBASE M6X20	SCREW BHC BASE M6X20	2
14	0E06E-0606E-14-00	ENTRETOISE EPAULE BAVETTE	MUDFLAP SPACER	2
15	RL01F-60608-00-00	BAVETTE ARRIERE	REAR MUDFLAP	1
16	0V110-05016-00-00	VIS TOLE 5,5X16	METAL SCREW 5,5X16	2
17	RL01F-60607-00-00	CLIGNOTANT DROIT ET GAUCHE ARRIERE	REAR TURN LIGHT RIGHT AND LEFT	2
18	0EC08-05000-00-00	ECROU NYLSTOP M5	NYLSTOP NUT M5	2
19	0V040-05020-00-00	VIS BHC M5X20	SCREW BHC M5X20	2
20	0V110-05016-00-00	VIS TOLE 5,5	METAL SCREW 5,5	1
21	RL01F-60616-00-00	BAVETTE ARRIERE HOMOLOGUE	HOMOLOGOUS REAR MUDFLAP	1
22	RL01F-60617-00-00	ECLAIRAGE DE PLAQUE	LICENSE PLATE LIGHT	1
23	0R001-04010-02-00	RONDELLE M4	PLAINWASHER M4	2
24	RL01F-60619-00-00	FEU ARRIERE	REAR HEADLIGHT	1
25	0EC02-05000-00-00	ECROU M5	NUT M5	3
26	RL01F-50404-00-00	FAISCEAU RALLONGE ARRIERE	REAR EXTENSION WIRE	1



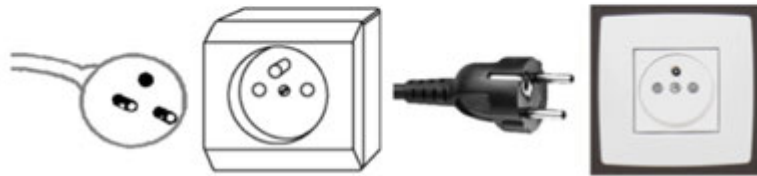
N°	REFERENCE	FRANCAIS	ENGLISH	QUANTITY
1	RL01F-60603-00-00	KLAXON	HORN	1
2	0V040-06020-02-00	VIS BHC EMBASE M6X20	SCREW BHC BASE M6X20	1
3	0CE06-16024-09-ZI	AGRAFE M6	CLIP M6	1
4	RL01F-50406-00-00	CENTRALE CLIGNOTANTE LED	FLASHING CENTRAL	1
5	RL01F-50405-00-00	CONTACTEUR A CLE 2 POSITIONS ET SERRURE DE SELLE	IGNITION SWITCH 2 POSITIONS AND SADDLE LOCK	1
6	0V013-06016-00-00	VIS AUTOCASSANTE	AUTOBREAK SCREW	2
7	0V100-06016-00-00	VIS BHC EMBASE M6X25	SCREW BHC BASE M6X25	2
8	0R001-06018-02-00	RONDELLE M6 LARGE	LARGE WASHER M6	2
8	0R008-05015-01-00	RONDELLE PLASTIQUE M5	PLASTIC WASHER M5	1
9	RL01F-50403-00-00	FAISCEAU ELECTRIQUE PRINCIPALE	PRINCIPAL WIRE ELECTRIC	1
10	RL01F-50200-52-00	BATTERIE	BATTERY	1
11	0V050-08016-00-00	VIS TH M6X16	SCREW TH M6X16	6
12	0R005-06010-00-00	RONDELLE FENDUE M6	/	6
13	0V050-08016-00-00	RONDELLE M6	PLAINWASHER M6	6
14	RL01F-50301-00-00	CONTROLEUR SEVCON GEN SIZE 2	CONTROLLER SEVCON GEN 4 SIZE 2	1
15	0V040-06025-00-00	VIS BHC M6X25	SCREW BHC M6X25	4
16	0EC08-06000-00-00	ECROU NYLSTOP M6	NUT NYLSTOP M6	4
17	RL01F-50331-00-00	DISSIPATEUR THERMIQUE	HEAT DISSIPATOR	1
18	0RV01-04008-10-00	RIVET 4X10	RIVET 4X10	2
19	TL01K-80404-00-00	RONDELLE M4	PLAINWASHER M4	2
20	RL01F-60601-00-00	CONVERTISSEUR 48V-12V 100W	CONVERTER 48V-12V TYPE 3	1
21	FUS02-00010-02-00	FUSIBLE CONVERTISSEUR	CONVERTER FUSE	1
22	FUS02-00010-01-00	FUSIBLE FAISCEAU PRINCIPAL	PRINCIPAL WIRE FUSE	1
23	CHG01-52010-02-01	CHARGEUR 10A	CHARGER 10A	1
24	CHG01-52015-02-01	CHARGEUR 15A	CHARGER 15A	1
25	CHG01-52025-02-01	CHARGEUR 25A	CHARGER 20A	1

26

TYPE E

France - Belgique - Pologne - Slovaquie Rép. Tchèque

Tunisie & Maroc



27

TYPE G

UNITED KINGDOM



28

TYPE J

SUISSE



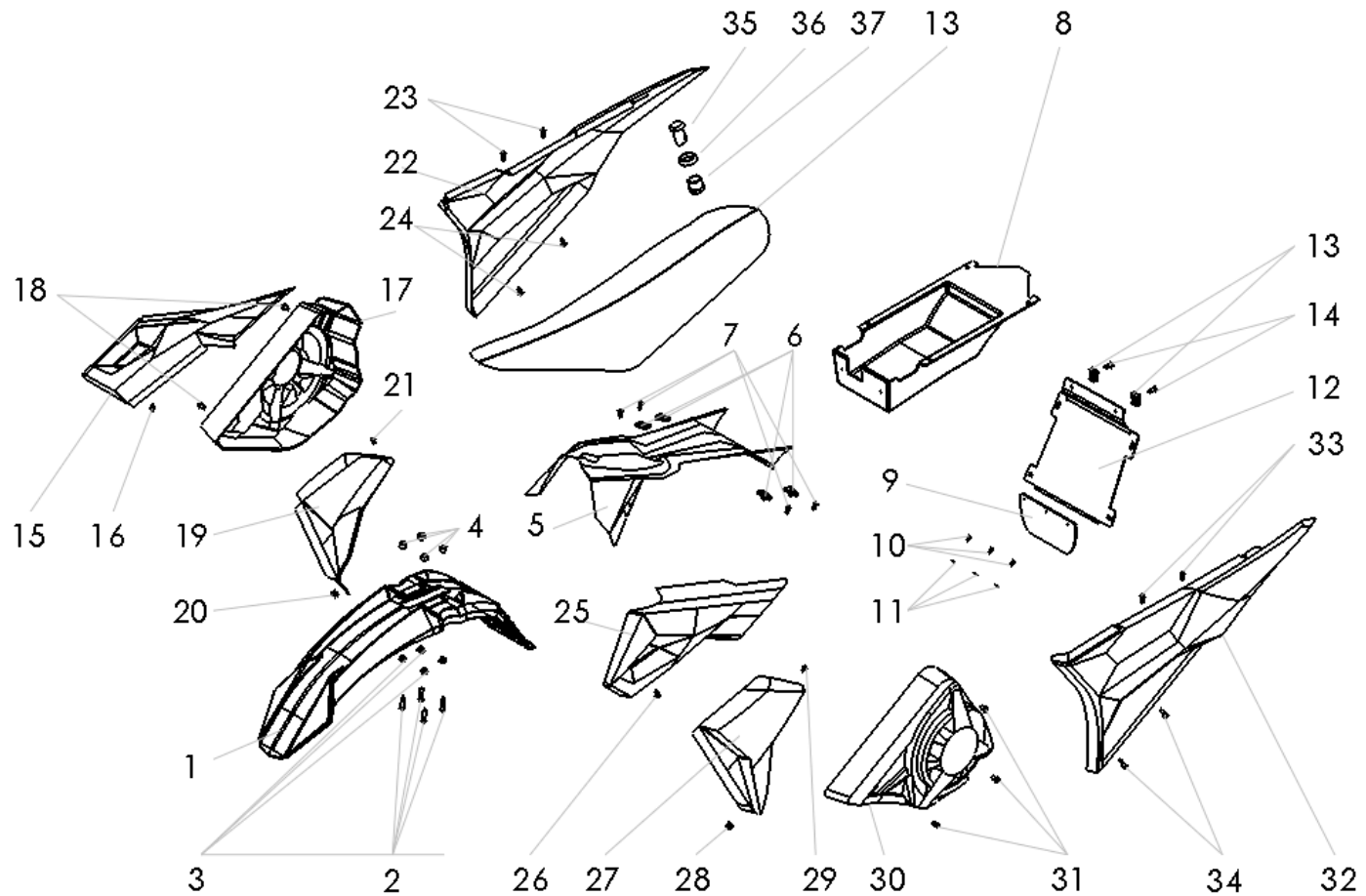
29

TYPE B

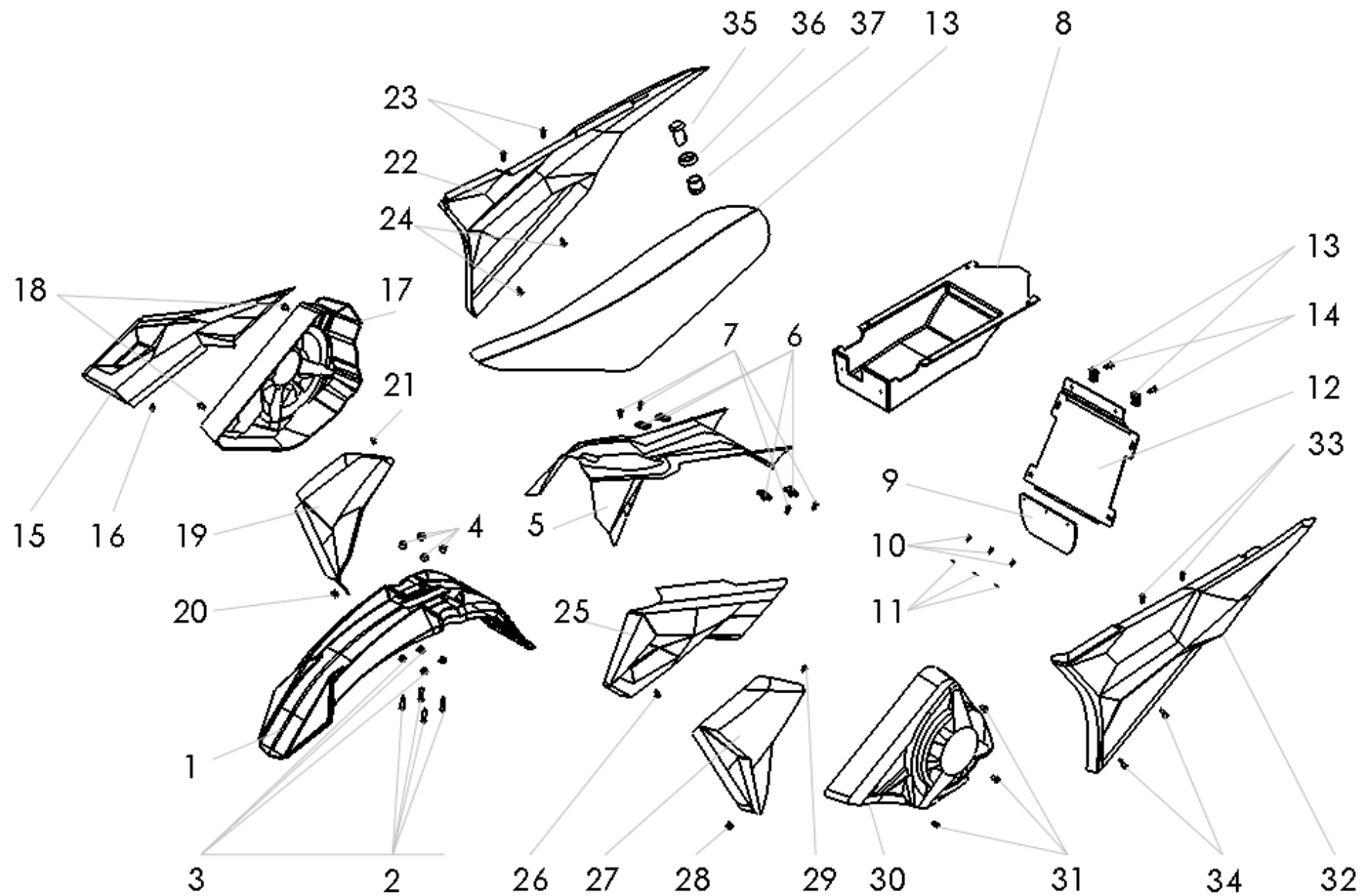
USA – Canada – Japan



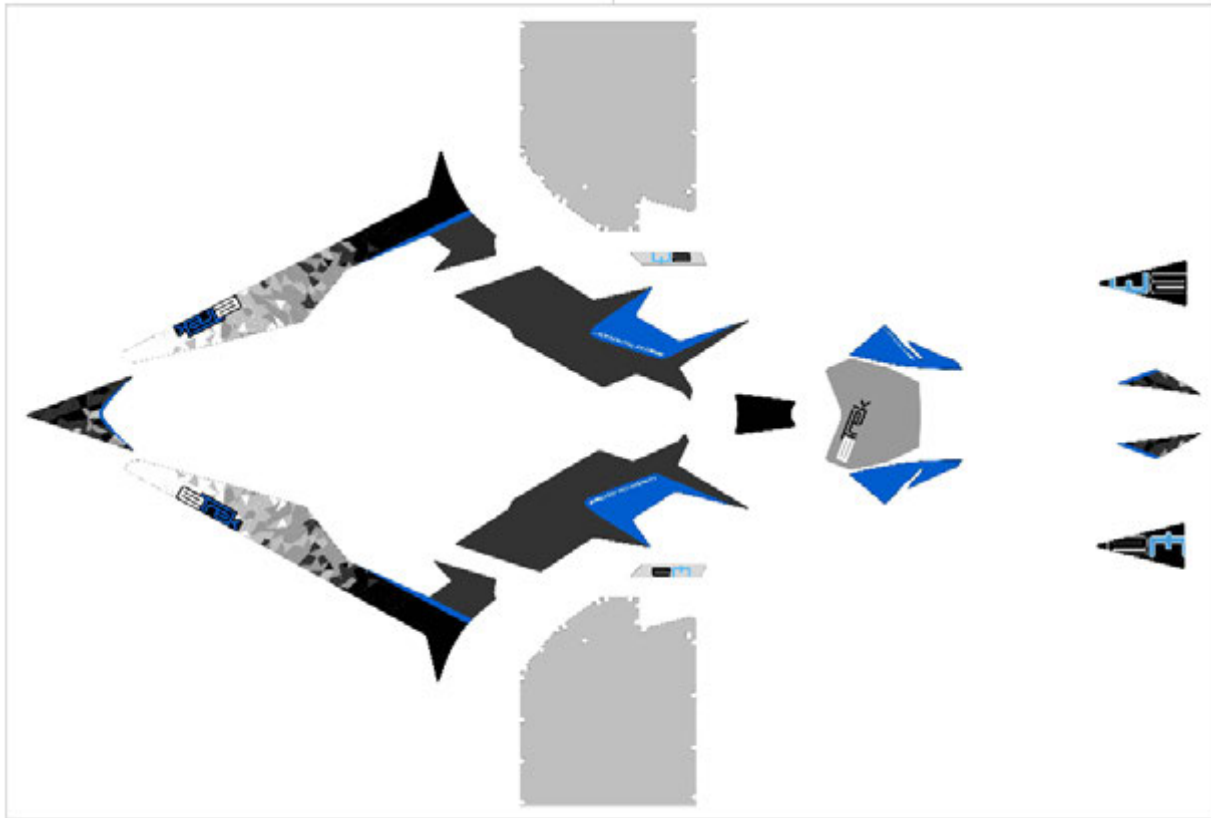
N°	REFERENCE	FRANCAIS	ENGLISH	QUANTITY
26	CAB01-05012-00-00	CABLE CHARGEUR 10&15A - France	CHARGER PLUG 10&15A - France	1
27	CAB01-07012-00-00	CABLE CHARGEUR 10&15A - Royaume-Uni	CHARGER PLUG 10&15A - United Kingdom	1
28	CAB01-10012-00-00	CABLE CHARGEUR 10&15A - Suisse	CHARGER PLUG 10&15A - Switzerland	1
29	CAB01-02012-00-00	CABLE CHARGEUR 10&15A - USA-Canada	CHARGER PLUG 10&15A - USA-Canada	1

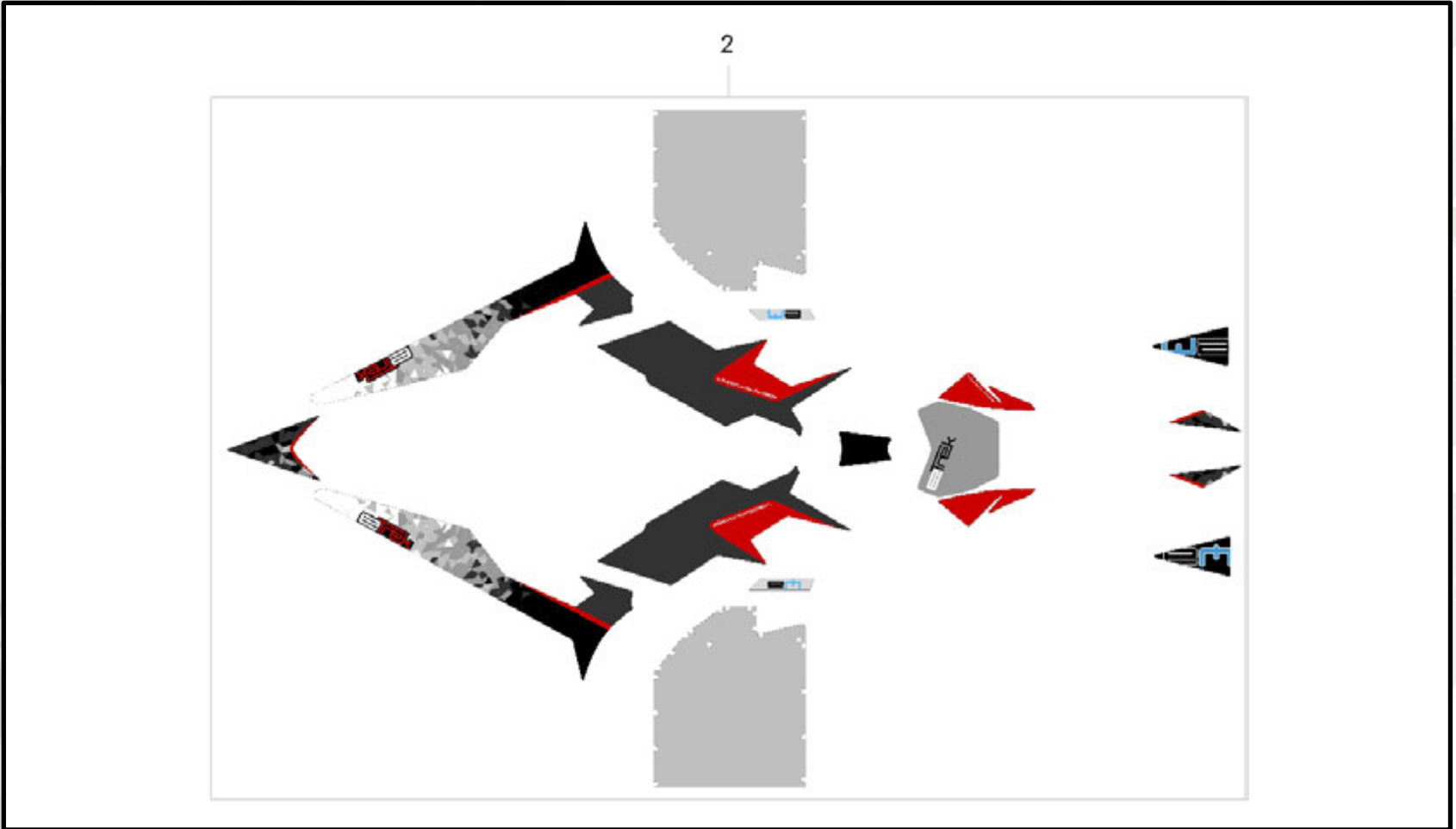


N°	REFERENCE	FRANCAIS	ENGLISH	QUANTITY
1	RL01F-70103-00-00	GARDE BOUE X-RIDE	X-RIDE MUDGUARD	1
2	0V040-06025-00-00	VIS BHC M6X25	SCREW BHC 6X25	4
3	0E06E-0906E-14-00	ENTRETOISE EPAULEE	BACKED SPACER	4
4	0E06C-15010-00-00	ENTRETOISE BLANCHE 6,3X15X10	WHITE SPACER	4
5	RL01F-70209-00-00	CACHE CENTRAL	CENTRAL COVERING	1
6	0V100-05012-00-00	VIS BHC EMBASE M5X12	SCREW BHC BASE M5X12	4
7	0CE05-15620-00-00	AGRAFE M5	CLIP M5	4
8	RL01F-70307-00-00	COFFRE	CHEST	1
9	TL01J-60302-00-00	BAVETTE AMORTISSEUR	SHOCK ABSORBER MUDFLAP	1
10	0RV01-03008-00-N0	RIVET INOX 3	STAINLESS STEEL RIVET 3	3
11	0R001-03009-0H-00	RONDELLE M3 LARGE	LARGE WASHER M3	3
12	RL01F-70303-00-00	CACHE BOUCLE ARRIERE	REAR SUBFRAME COVERING	1
13	0CE06-16024-09-ZI	AGRAFE M6	CLIP M6	2
14	0V004-06016-02-00	VIS BHC EMBASE M6X16	SCREW BHC BASE M6X16	2
15	RL01F-70205-00-00	ECOPE DROITE	RIGHT SCOOP	1
16	0V040-05020-00-00	VIS BHC M5X20	SCREW BHC M5X20	1
17	RL01F-70204-00-00	CARTER MOTEUR DROIT	RIGHT ENGINE CASING	1
18	0V040-06016-02-00	VIS BHC EMBASE M6X16	SCREW BHC BASE M6X16	3
19	RL01F-70211-00-00	BOOMERANG DROIT	RIGHT BOOMERANG	1
20	0SL01-11018-7E-00	SILENT BLOC BOOMERANG	BOOMERANG SILENTBLOCK	1



N°	REFERENCE	FRANCAIS	ENGLISH	QUANTITY
21	0V02-05016-00-00	VIS FHC M5X16	SCREW FHC M5X10	1
22	RL01F-70305-00-00	CACHE LATERAL ARRIERE DROIT	REAR RIGHT SIDE COVERING	1
23	0V100-05016-00-00	VIS BHC EMBASE M5X16	SCREW BHC BASE M5X16	2
24	0V040-05020-00-00	VIS BHC M5X20	SCREW BHC M5X20	2
25	RL01F-70206-00-00	ECOPE GAUCHE	LEFT SCOOP	1
26	0V040-05020-00-00	VIS BHC M5X20	SCREW BHC M5X20	1
27	RL01F-70212-00-00	BOOMERANG GAUCHE	LEFT BOOMERANG	1
28	0SL01-11018-7E-00	SILENT BLOC BOOMERANG	BOOMERANG SILENTBLOCK	1
29	0V02-05016-00-00	VIS FHC M5X16	SCREW FHC M5X10	1
30	RL01F-70202-00-00	CARTER TRANSMISSION	TRANSMISSION CASING	1
31	0V040-06012-02-00	VIS BHC EMBASE M6X16	SCREW BHC BASE M6X16	3
32	RL01F-70306-00-00	CACHE LATERAL ARRIERE GAUCHE	REAR LEFT SIDE COVERING	1
33	0V100-05016-00-00	VIS BHC EMBASE M5X16	SCREW BHC BASE M5X16	2
34	0V040-05020-00-00	VIS BHC M5X20	SCREW BHC M5X20	2
35	RL01F-50405-00-00	SERRURE SELLE	KEY LOCK SEAT	1
36	RL01F-60620-00-00	ENTRETOISE CONIQUE SERRURE SELLE	CONICAL STRUTTER KEY LOCK SEAT	1
37	RL01F-60620-00-04	CANON SERRURE DE SELLE	SPACER KEY LOCK	1





N°	REFERENCE	FRANCAIS	ENGLISH	QUANTITY
1	RL01F-80101-00-00	KIT STICKER COMPLET BLEU	BLUE KIT STICKER	1
2	RL01F-80101-00-00	KIT STICKER COMPLET ROUGE	RED KIT STICKER	1



40 rue des Gardians
ZAC VIA DOMITIA
34160 CASTRIES – FRANCE

Tel : +33 (0) 4 67 41 10 90

+33 (0) 6 51 05 51 69

Mail : emotion.sav@gmail.com

www.electric-motion.fr



Les informations de ce document ne sont pas contractuelles et peuvent être modifiées sans préavis.

The datas of this document are not contractual and can be modified without notice.