

ATK AMERICA, INC.

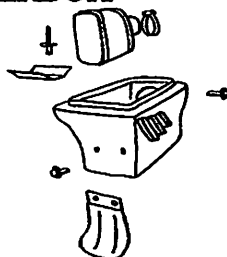
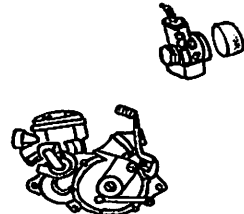
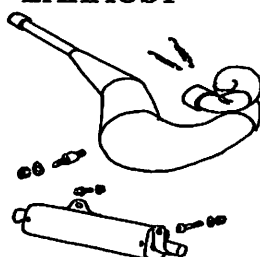

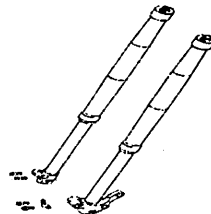
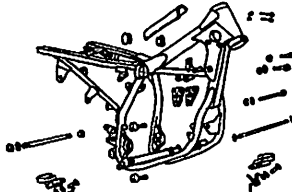

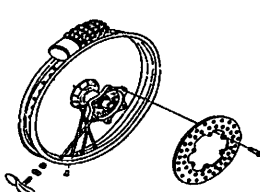
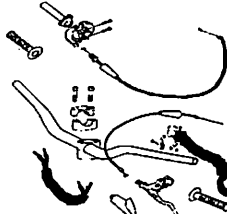

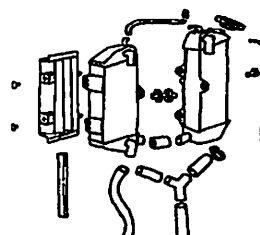

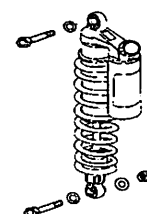

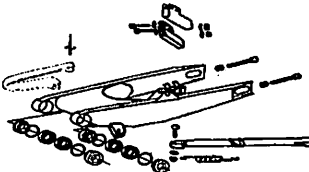
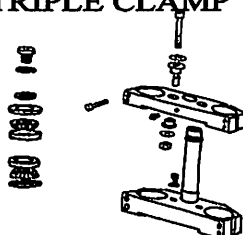



**1996 260 LQ
GENUINE PARTS**

© ATK America, Inc., 1996
1st Edition

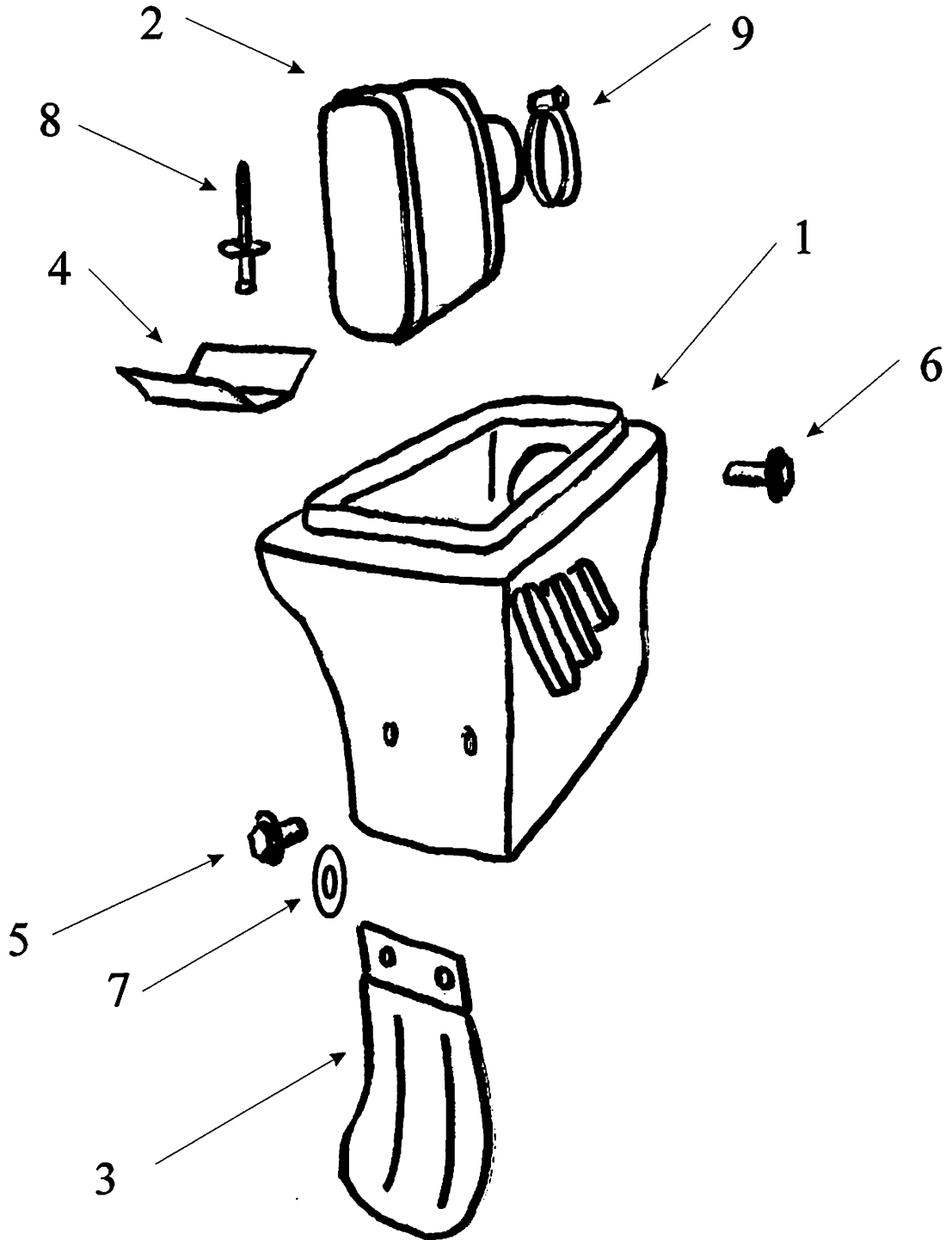
ATK

MODEL 1996 260 LQ

AIRBOX  PAGE 1-2	ENGINE  PAGE 3-4	EXHAUST  PAGE 5-6	FRONT BRAKE  PAGE 7-8
FORK  PAGE 9-10	FRAME  PAGE 11-12	FUEL TANK  PAGE 13-14	FRONT WHEEL  PAGE 15-16
HANDLE BAR  PAGE 17-18	PLASTIC/DECALS  PAGE 19-20	RADIATOR  PAGE 21-22	REAR BRAKE  PAGE 23-24
SHOCK  PAGE 25-26	REAR WHEEL  PAGE 27-28	SWINGARM  PAGE 29-30	TRIPLE CLAMP  PAGE 31-32
LIGHTS  PAGE 33-34			

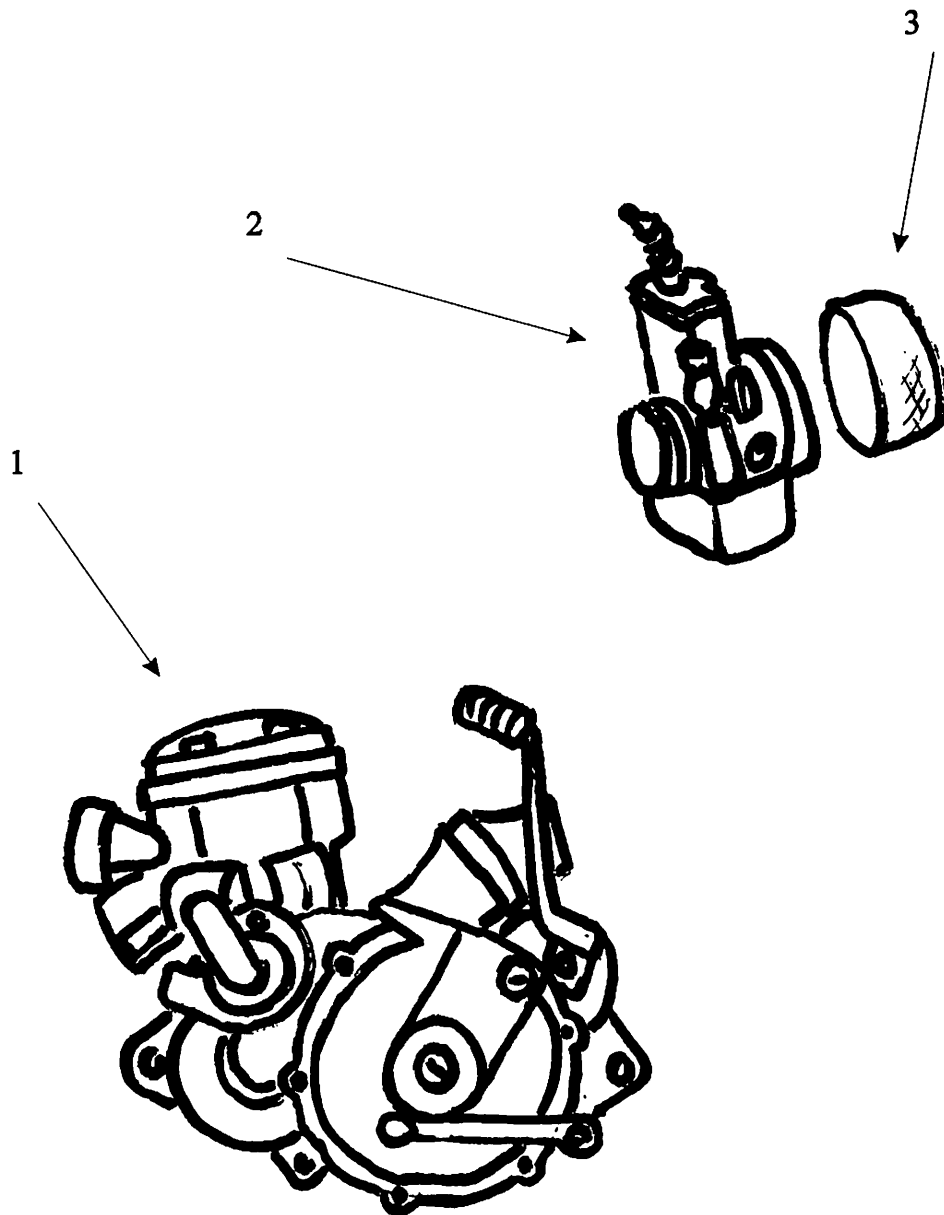
ATK

MODEL 1996 260 LQ



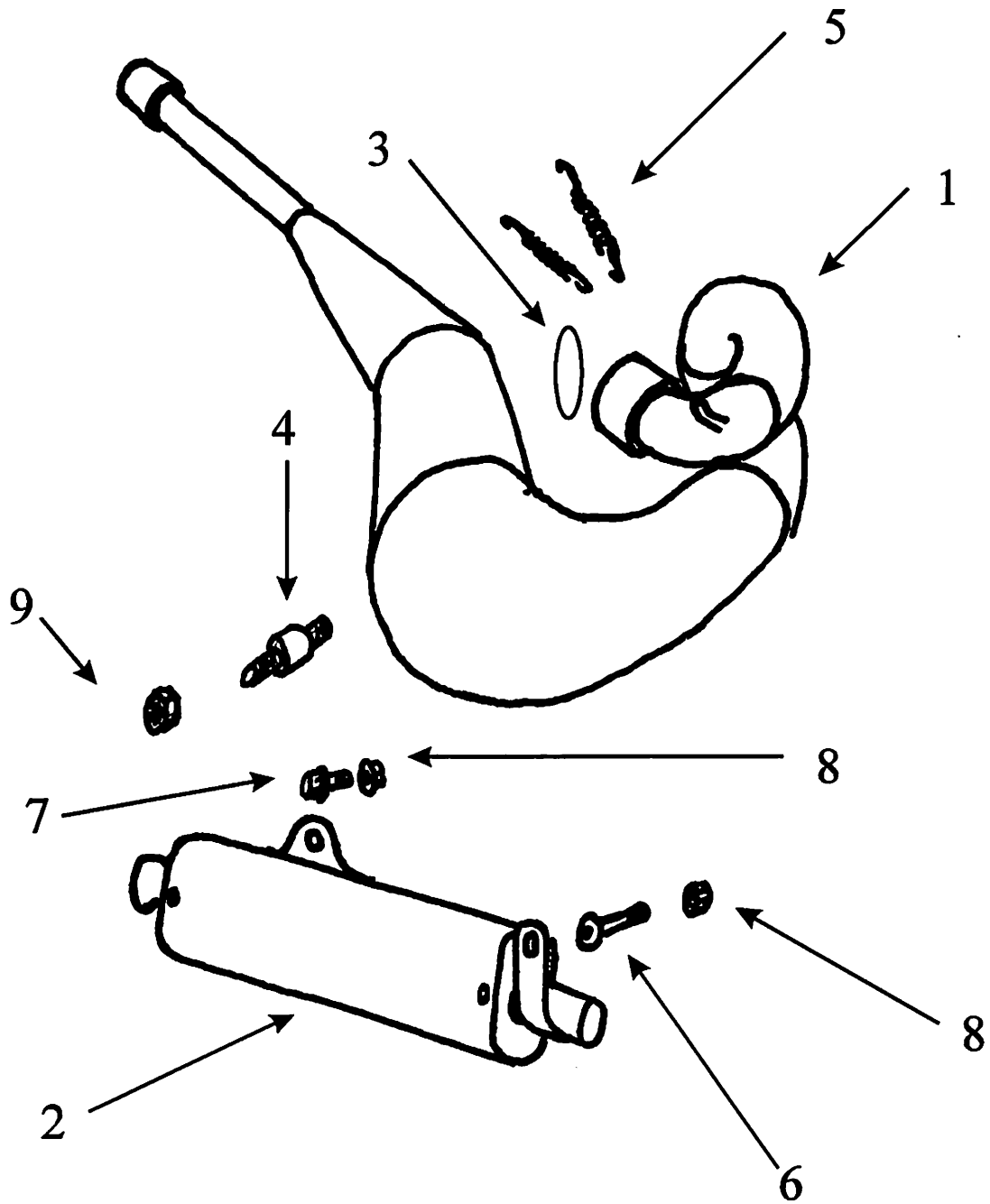
ATK

MODEL 1996 260 LQ



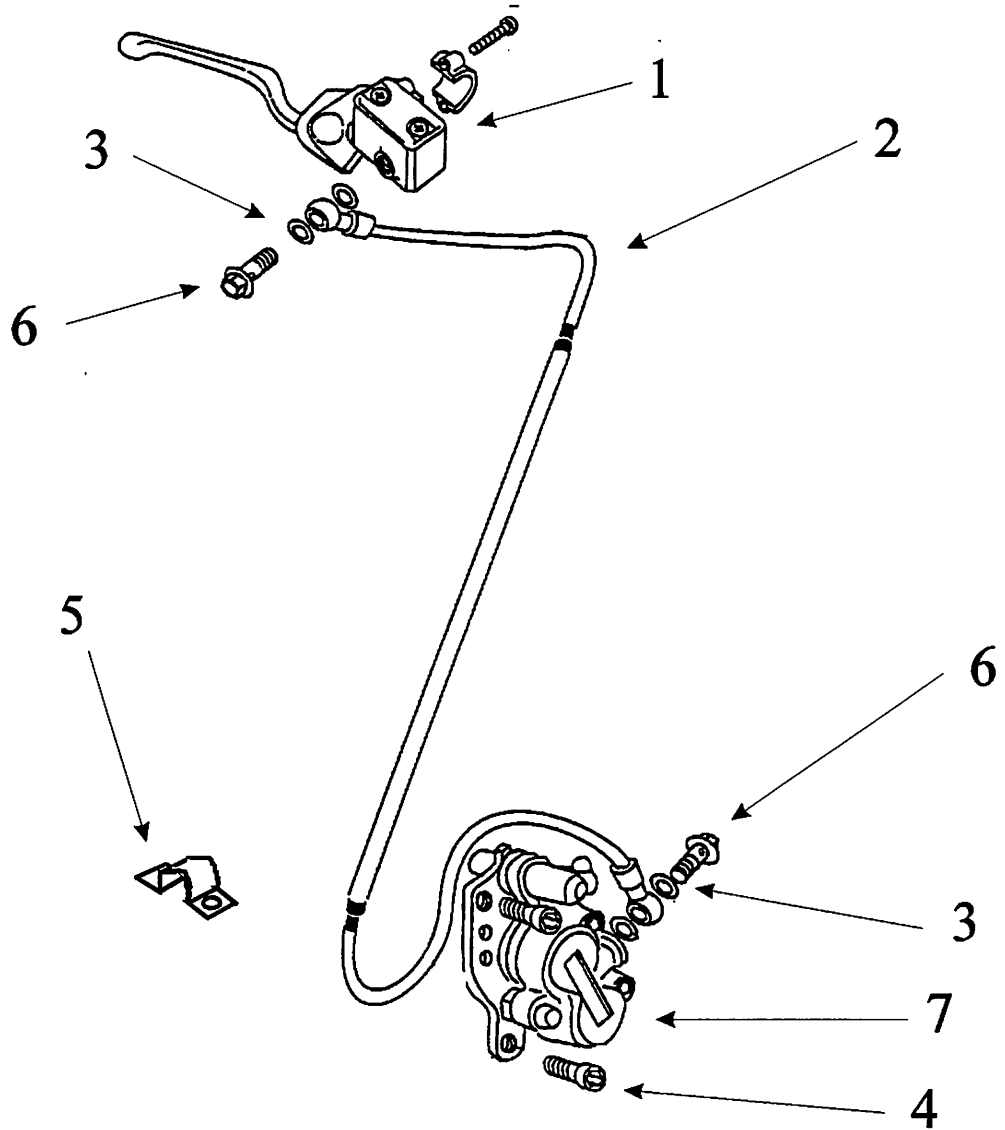
ATK

MODEL 1996 260 LQ



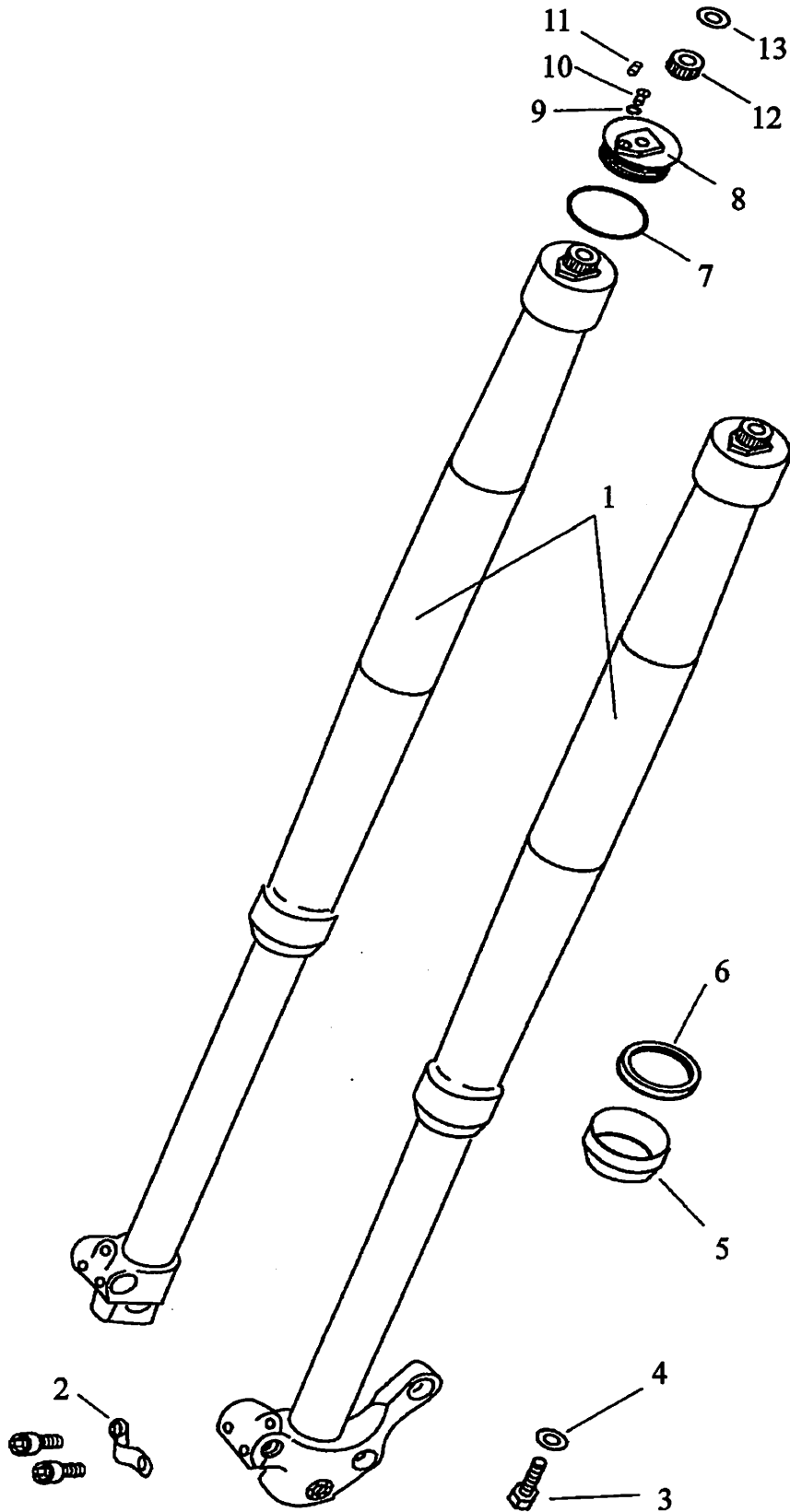
ATK

MODEL 1996 260 LQ



ATK

MODEL 1996 260 LQ



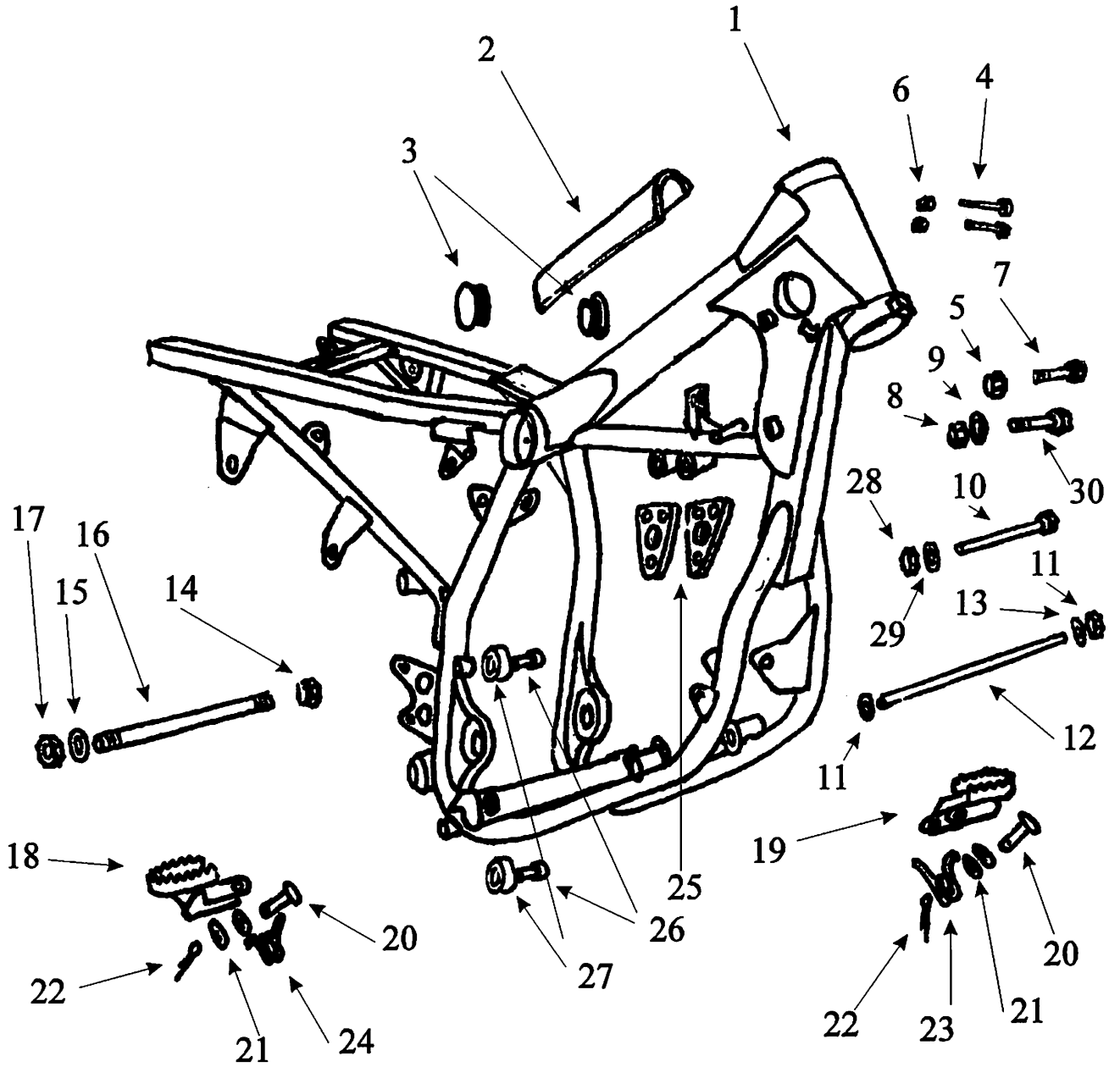


MODEL 1996 260 LQ

ITEM	DESCRIPTION	PART NUMBER	QTY.	ASSEMBLY
1	FRAME, 2T LQ 95	012100	1	FRAME
2	BUFFER PAD, FUEL TANK	010140	1	FRAME
3	FRAME PLUG	010046	2	FRAME
4	SCREW, SHCS M6x45 WR 10	190015	2	FRAME
5	NUT, M8x1.25 WR 12	190018	2	FRAME
6	NUT, M6 NYLOCK	190108	2	FRAME
7	BOLT, M8x1.25x50 WR 12	190017	2	FRAME
8	NUT, M10x1.25 FLANGE	190104	1	FRAME
9	WASHER, PLAIN M10	190103	1	FRAME
10	BOLT, HEX M10x1.25x110 WR 14	190010	1	FRAME
11	NUT, M8x1.25 WR 12 HEX SERATED	190018	2	FRAME
12	THREADED ROD LOWER ENGINE MOUNT	015080	1	FRAME
13	WASHER, M8x16	190136	1	FRAME
14	NUT, M16x1.5	190124	1	FRAME
15	WASHER, M16x30	190123	1	FRAME
16	SWINGARM PIVOT BOLT	020009	1	FRAME
17	NUT, M16x1.5 HALF WIDTH	190122	1	FRAME
18	FOOT PEG, RIGHT	011089	1	FRAME
19	FOOT PEG, LEFT	011101	1	FRAME
20	PIN, CLEVIS 5/16"x1 46/64"	190023	2	FRAME
21	WASHER, M8x16	190136	4	FRAME
22	COTTER, PIN 1/8"x3/4"	190031	2	FRAME
23	FOOT PEG SPRING, LEFT	015057	1	FRAME
24	FOOT PEG SPRING, RIGHT	015056	1	FRAME
25	HEAD STAY	015078	2	FRAME
26	SCREW, SHCS M8x1.25x45	190003	2	FRAME
27	CHAIN ROLLER	060141	2	FRAME
28	NUT, M10x1.25 NYLOCK	190104	1	FRAME
29	WASHER, M10x20	190103	1	FRAME
30	BOLT, M10x1.25x50 WR 14		1	FRAME

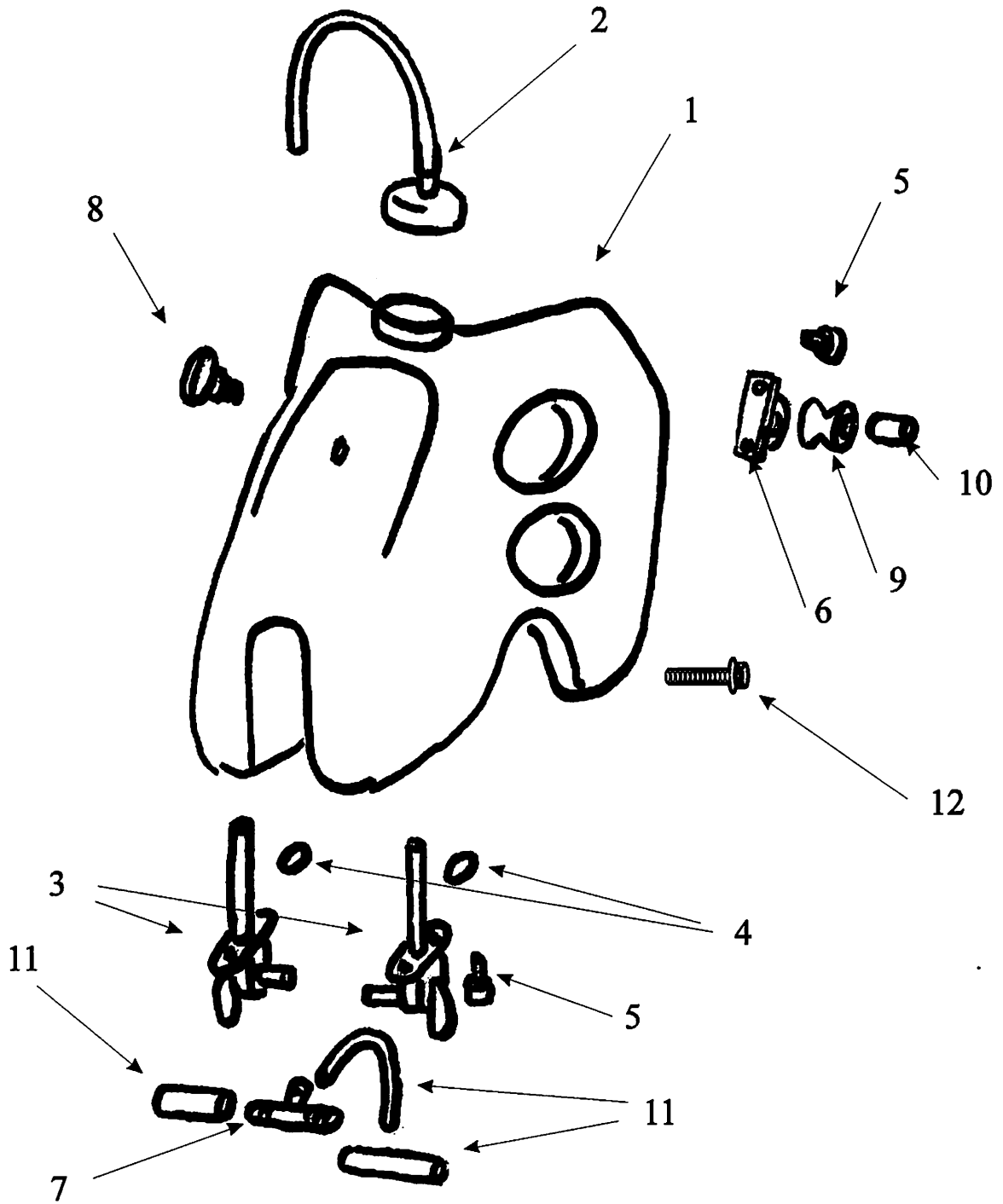
ATK

MODEL 1996 260 LQ



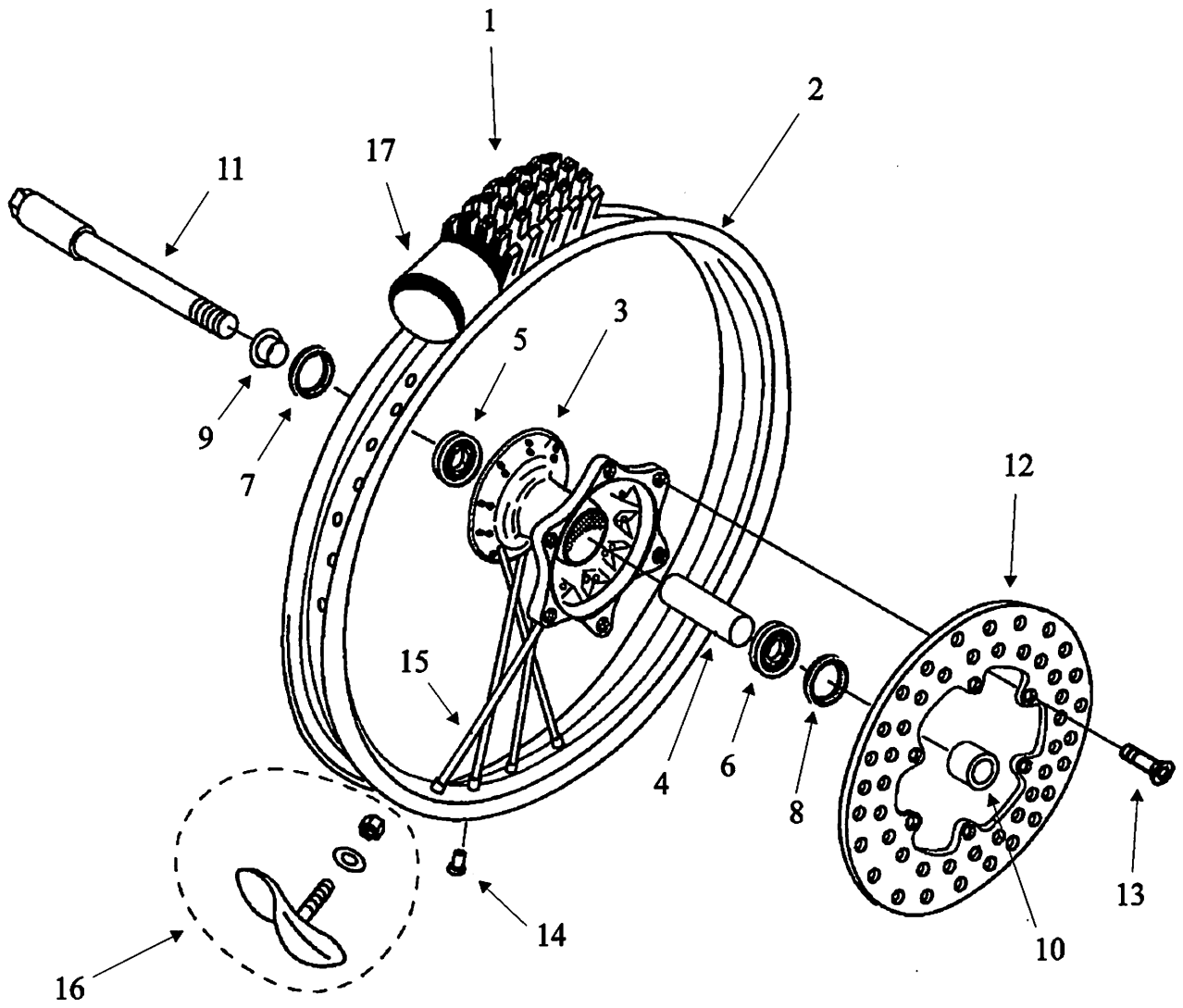
ATK

MODEL 1996 260 LQ



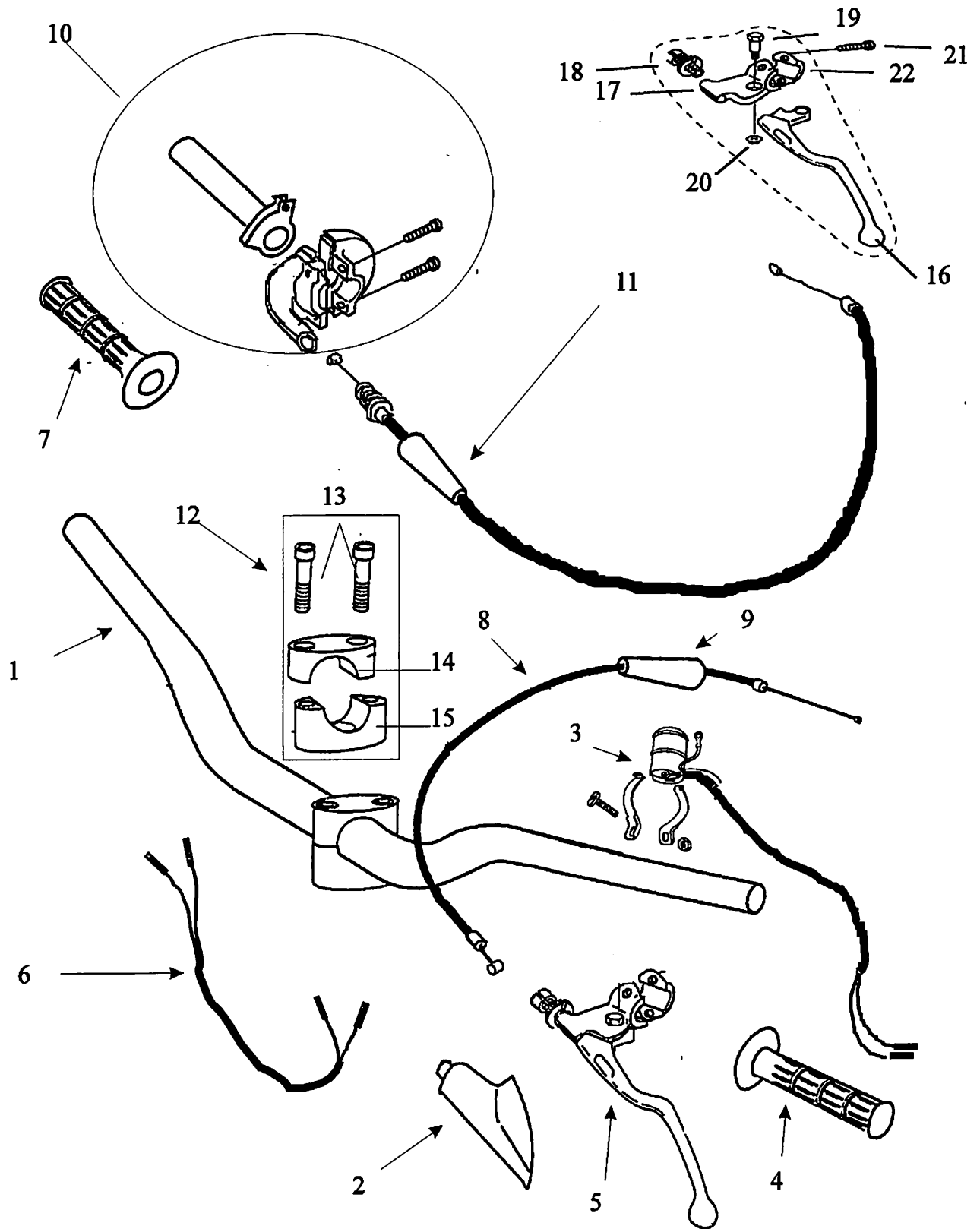
ATK

MODEL 1996 260 LQ



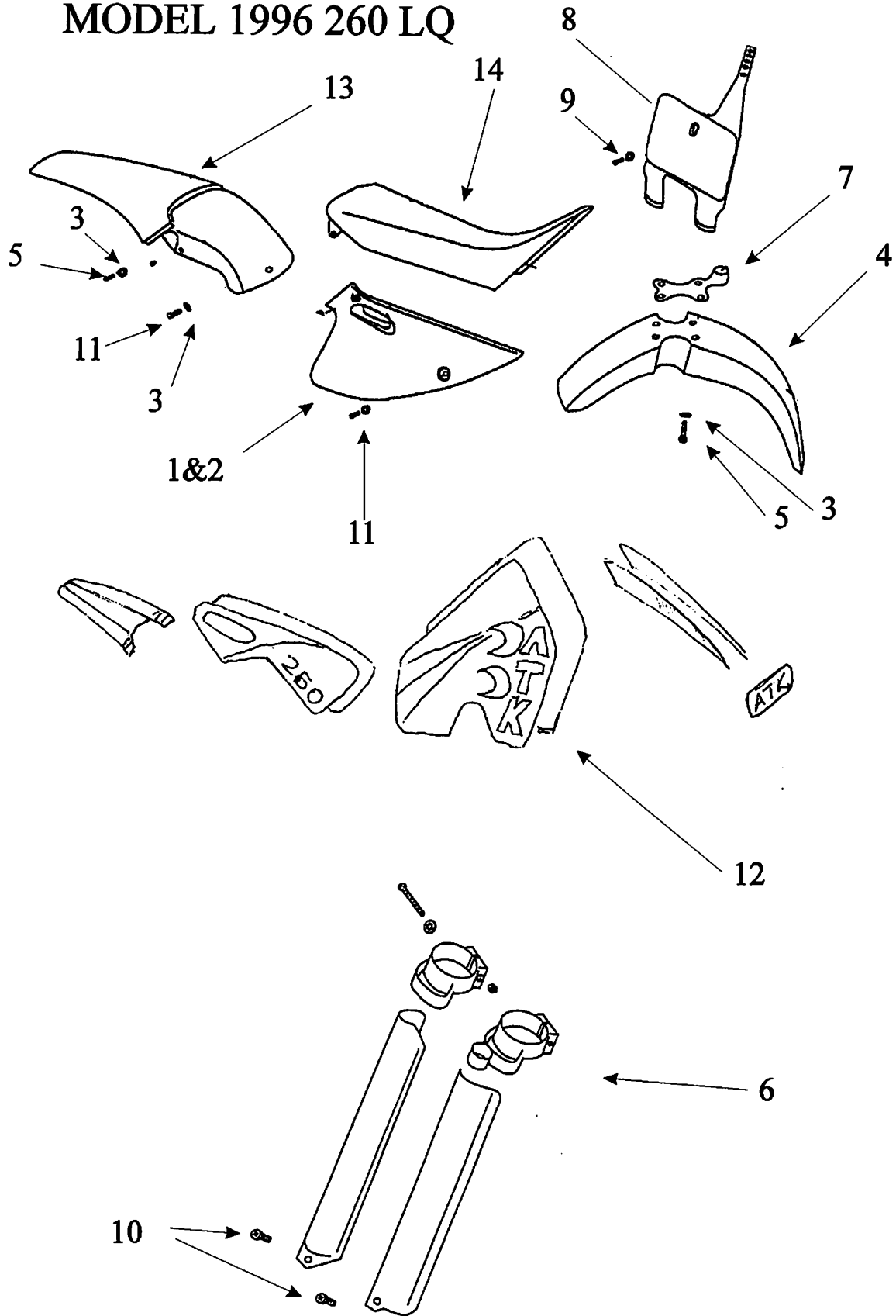
ATK

MODEL 1996 260 LQ



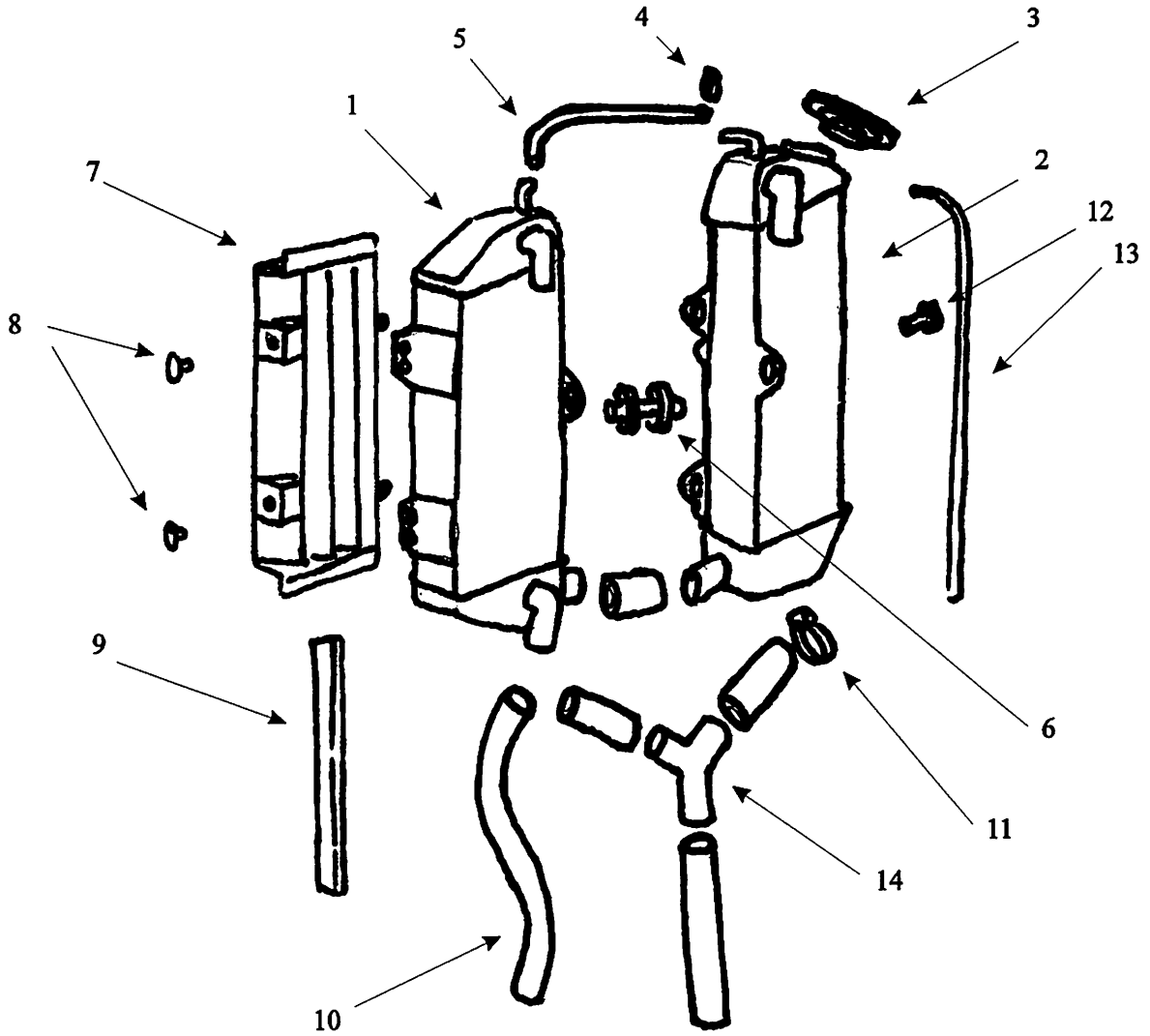
ATK

MODEL 1996 260 LQ



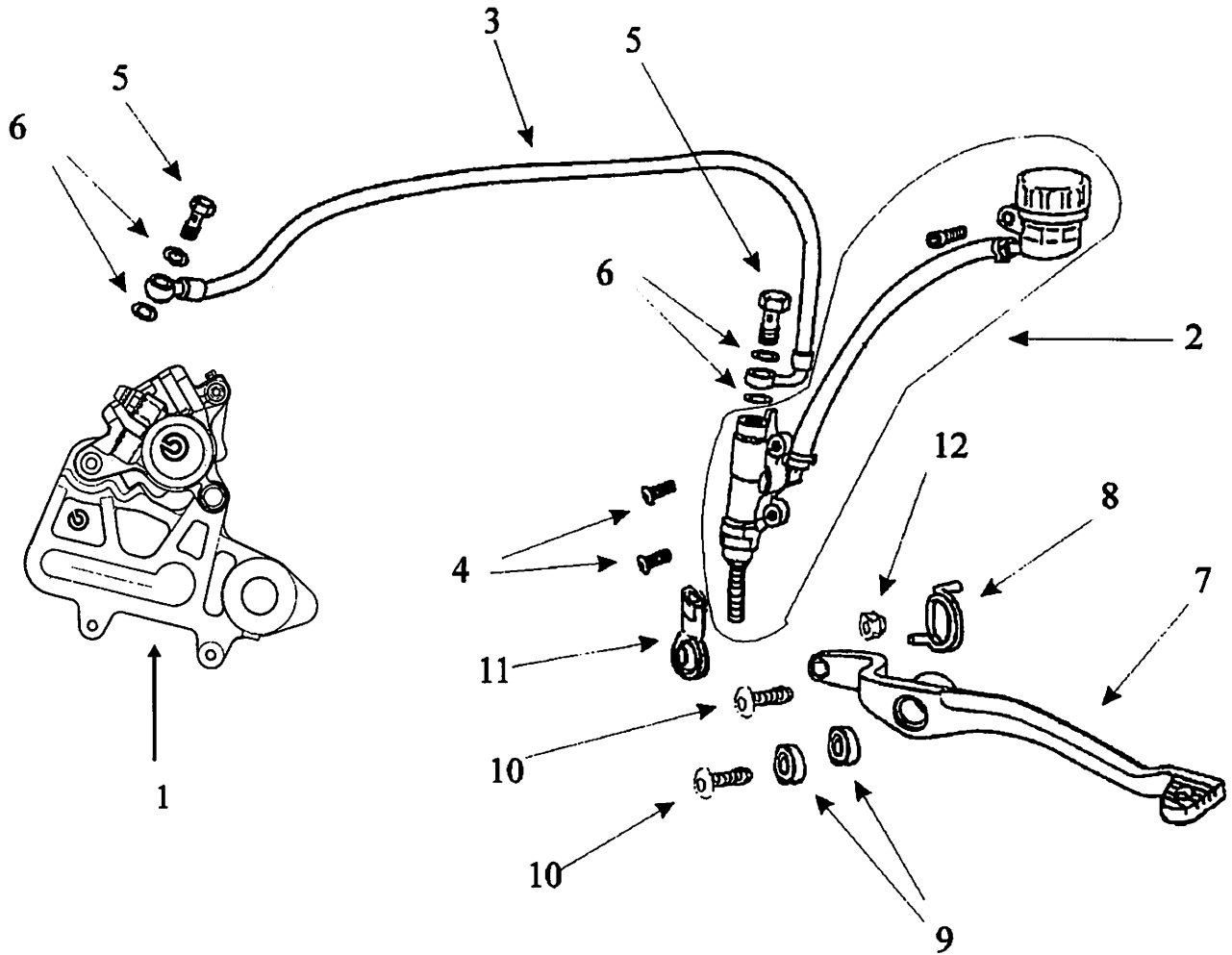
ATK

MODEL 1996 260 LQ



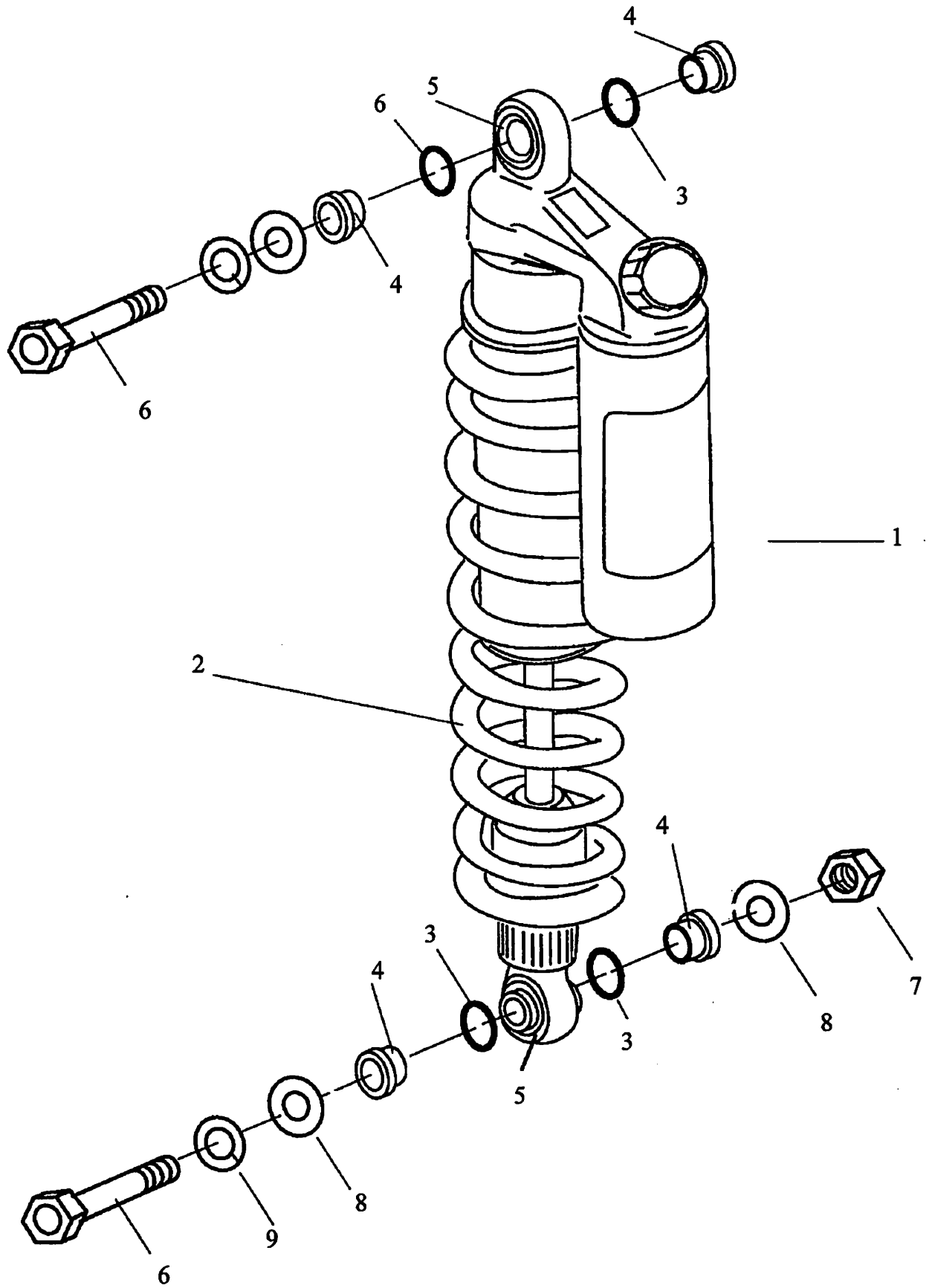
ATK

MODEL 1996 260 LQ



ATK

MODEL 1996 260 LQ



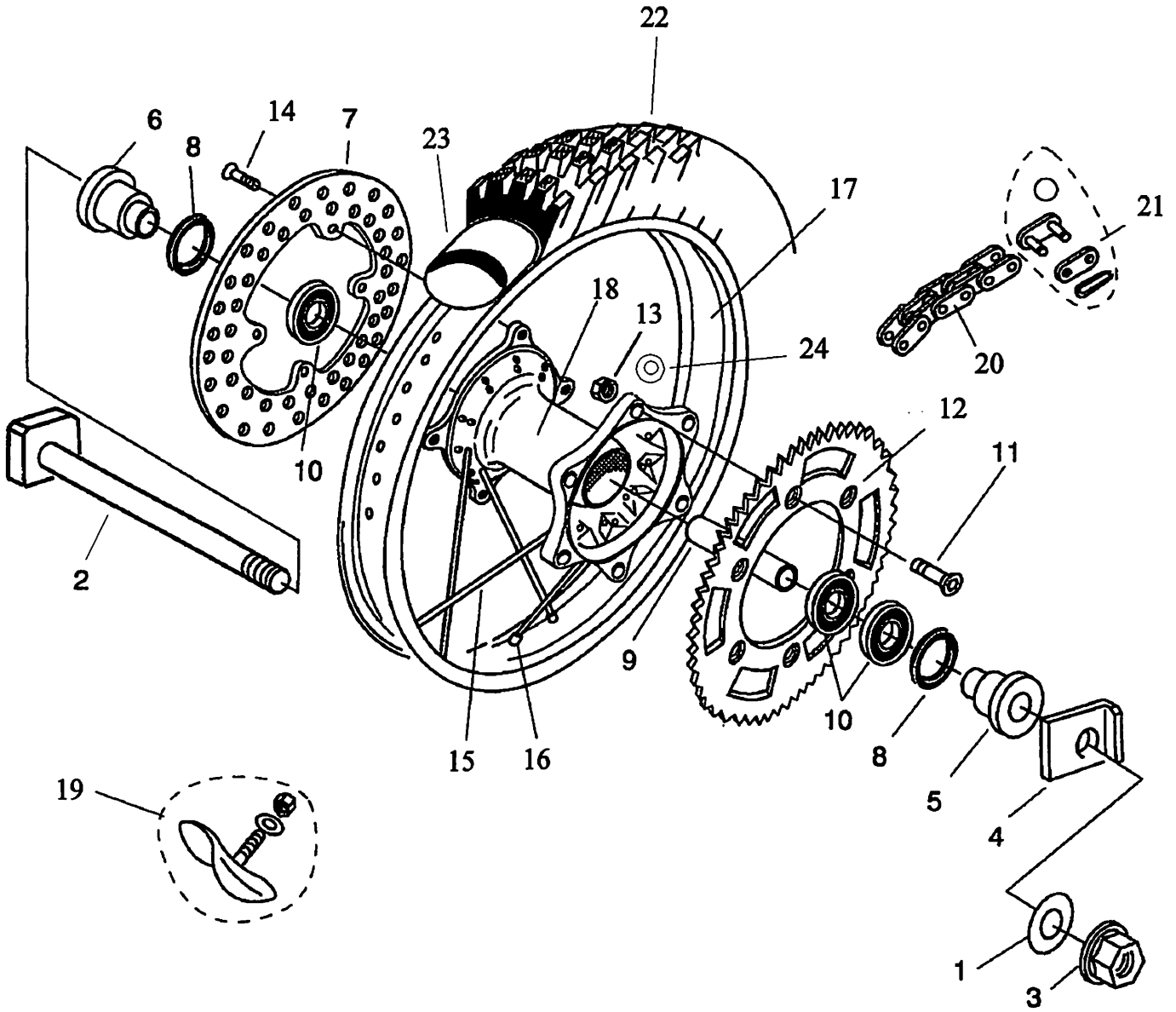


MODEL 1996 260 LQ

ITEM	DESCRIPTION	PART NUMBER	QTY.	ASSEMBLY
1	WASHER, REAR AXLE 1.464x.813	090007	1	REAR WHEEL
2	AXLE, REAR w/THRDD ADJ BLOCK	090013	1	REAR WHEEL
3	AXLE, NUT HEX JAM M20x1.5	190019	1	REAR WHEEL
4	AXLE, REAR NON THRDD ADJ BLOCK	090001	1	REAR WHEEL
5	SPACER, RIGHT	090003	1	REAR WHEEL
6	SPACER, LEFT	090004	1	REAR WHEEL
7	BRAKE, REAR ROTOR	090014	1	REAR WHEEL
8	SEAL	090010	2	REAR WHEEL
9	INTERNAL BEARING SPACER	090015	1	REAR WHEEL
10	BEARING, REAR WHEEL	090008	3	REAR WHEEL
11	SCREW, SFCHCS M8x30	190083	6	REAR WHEEL
12	SPROCKET, 48T SUZUKI BOLT PATTERN	090034	1	REAR WHEEL
13	NUT, M8 FUGI (1.25)	190118	6	REAR WHEEL
14	SCREW, SFCHCS M8x 16	190075	4	REAR WHEEL
15	SPOKE, REAR EACH	090029	36	REAR WHEEL
16	NIPPLE, REAR EACH	090018	36	REAR WHEEL
	SPOKE SET w/NIPPLES	090026	1	REAR WHEEL
17	RIM, REAR	090022	1	REAR WHEEL
18	HUB, REAR COMPLETE	090016	1	REAR WHEEL
19	RIM LOCK, REAR	090023	2	REAR WHEEL
20	DRIVE CHAIN	090027	1	REAR WHEEL
21	CHAIN MASTER LINK	090028	1	REAR WHEEL
22	TIRE, REAR MICHELIN 120/90x18 MP11	091026	1	REAR WHEEL
23	INNER TUBE, REAR	090024	1	REAR WHEEL
24	WASHER, M8x17	190138	6	REAR WHEEL

ATK

MODEL 1996 260 LQ



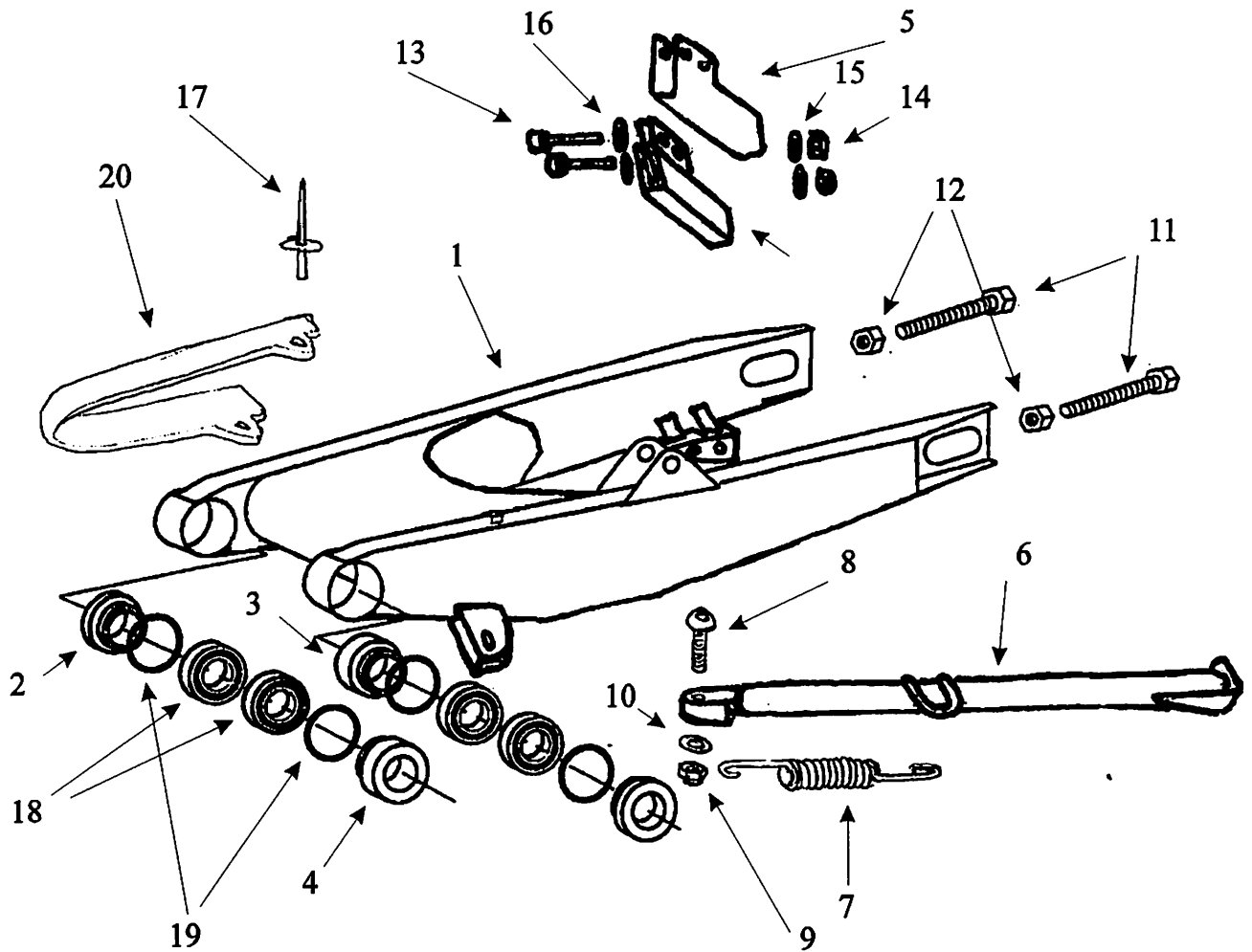


MODEL 1996 260 LQ

ITEM	DESCRIPTION	PART NUMBER	QTY.	ASSEMBLY
1	SWINGARM COMPLETE	021006	1	SWINGARM
2	SWINGARM OUTSIDE SPACER	020003	2	SWINGARM
3	SWINGARM, INSIDE LEFT SPACER	025049	1	SWINGARM
4	SWINGARM, INSIDE RIGHT SPACER	025050	1	SWINGARM
5	CHAIN GUIDE COVER	020048	1	SWINGARM
6	SIDESTAND COMPLETE 95 4T	020065	1	SWINGARM
7	SPRING SIDESTAND	020069	1	SWINGARM
8	SCREW, SBHCS M8x30	190082	1	SWINGARM
9	NUT, NYLOCK M8x1.25	190117	1	SWINGARM
10	WASHER, M8x16	190136	2	SWINGARM
11	BOLT, HEX M8x1.25x50 FULL THREAD	190009	2	SWINGARM
12	NUT, M8x1.25 12mm HEAD	190116	2	SWINGARM
13	BOLT, HEX FLANGE M6x1.0x40	190014	2	SWINGARM
14	NUT, NYLOCK M6	190108	2	SWINGARM
15	WASHER, M6x20	190131	2	SWINGARM
16	CHAIN PAD, UFO #2462	060140	1	SWINGARM
17	RIVET, 3/16" w/5/8" HEAD	190030	2	SWINGARM
18	SWINGARM BEARINGS, 9R-10	020024	4	SWINGARM
19	O-RINGS 1 3/8" OD x 1/8" THICK	020038	4	SWINGARM
20	CHAIN GUIDE UFO	021037	1	SWINGARM

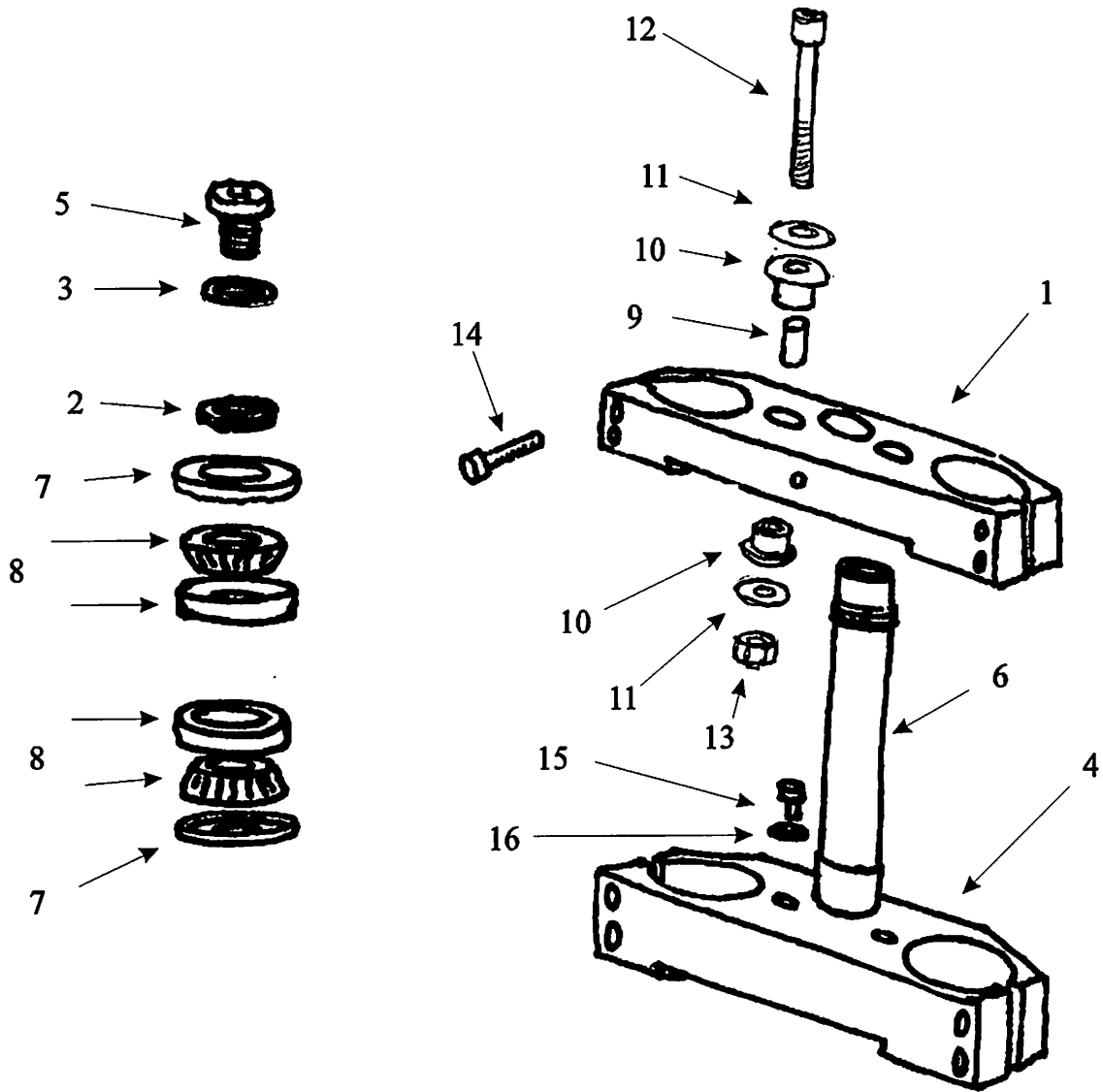
ATK

MODEL 1996 260 LQ



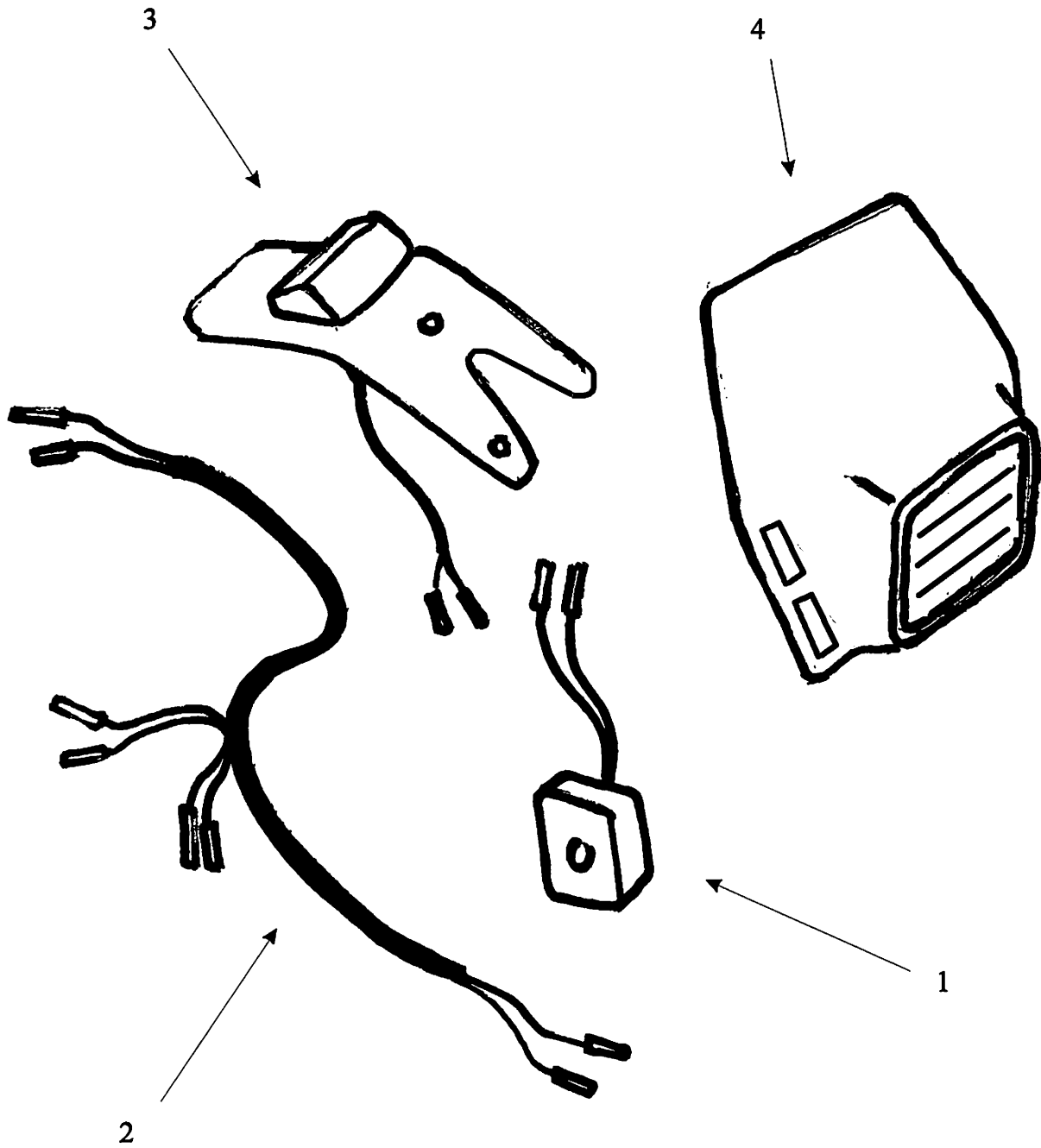
ATK

MODEL 1996 260 LQ



ATK

MODEL 1996 260 LQ



ATK

ATK AMERICA, INC.

1164 West 850 North, Centerville, Utah 84014 • (801) 298-8288 Fax (801) 299-0710