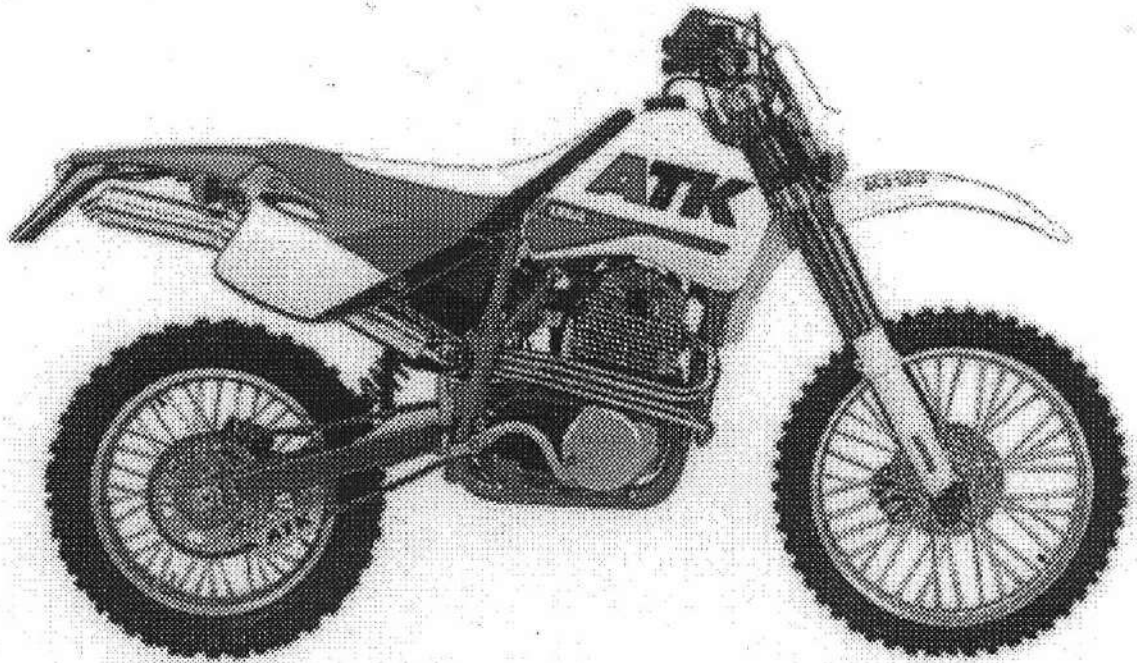


ATK AMERICA, INC.



**1995 350 CCES
GENUINE PARTS**

ATK

MODEL 1995 350 CCES



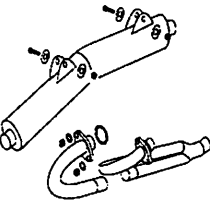

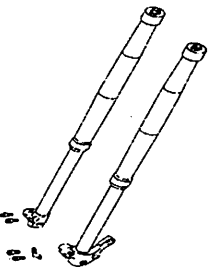
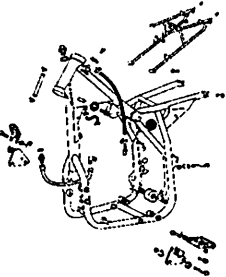
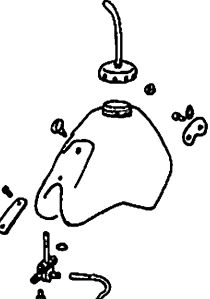
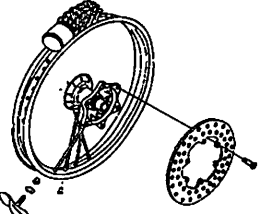
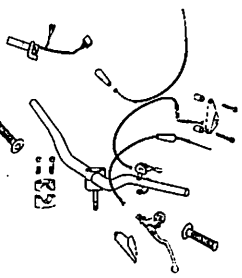

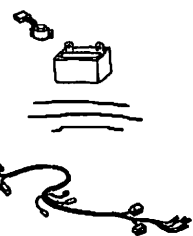

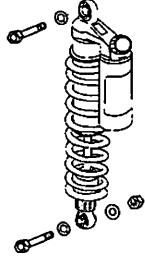
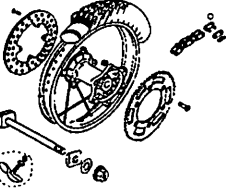
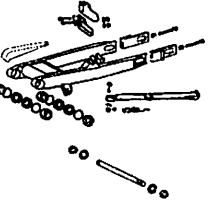
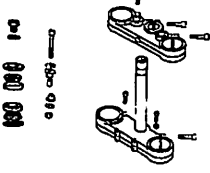
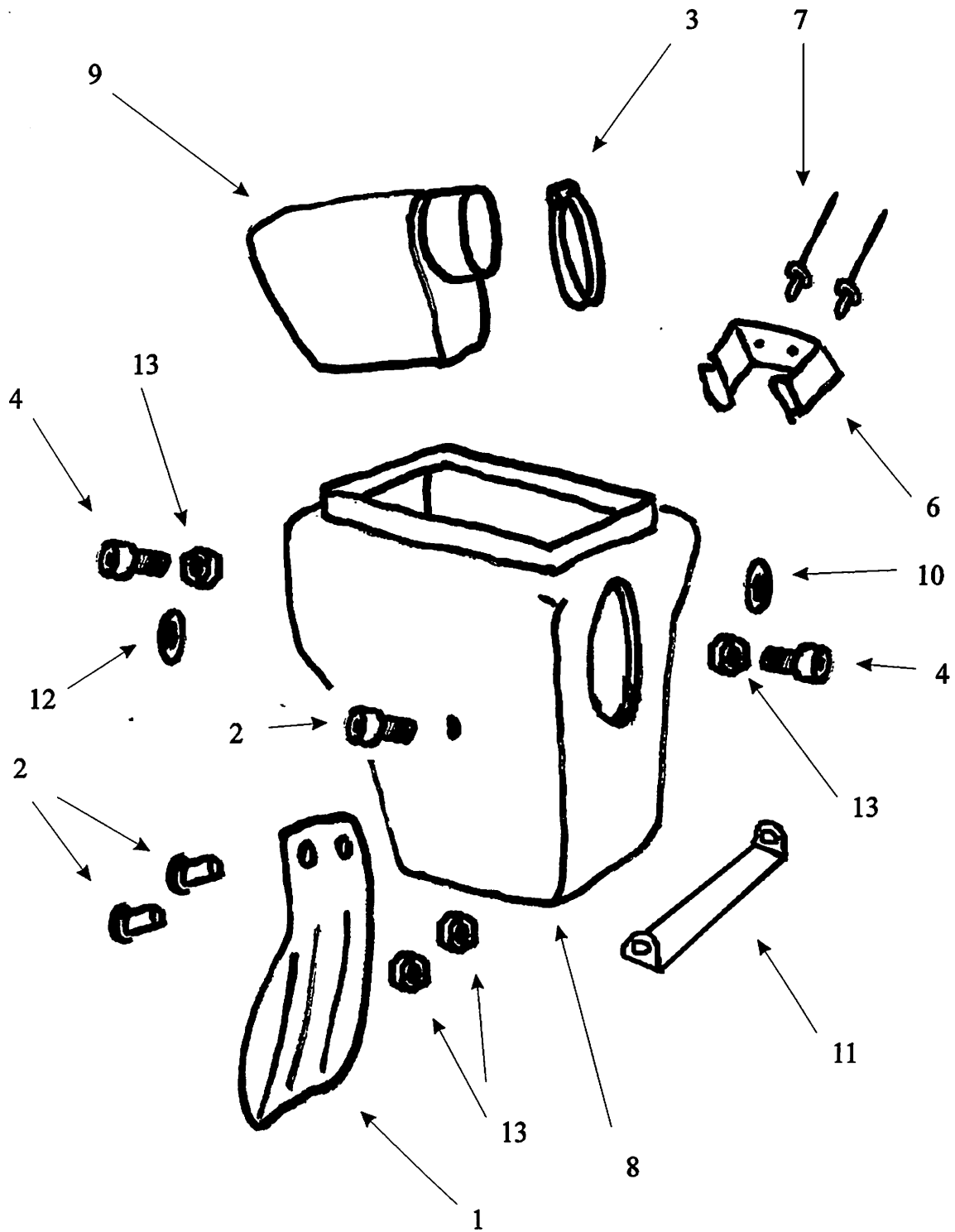
<p>AIRBOX</p>  <p>PAGE 1-2</p>	<p>ENGINE</p>  <p>PAGE 3-4</p>	<p>EXHAUST</p>  <p>PAGE 5-6</p>	<p>FRONT BRAKE</p>  <p>PAGE 7-8</p>
<p>FORK</p>  <p>PAGE 9-10</p>	<p>FRAME</p>  <p>PAGE 11-12</p>	<p>FUEL TANK</p>  <p>PAGE 13-14</p>	<p>FRONT WHEEL</p>  <p>PAGE 15-16</p>
<p>HANDLE BAR</p>  <p>PAGE 17-18</p>	<p>PLASTIC/DECALS</p>  <p>PAGE 19-20</p>	<p>ELECTRICAL</p>  <p>PAGE 21-22</p>	<p>REAR BRAKE</p>  <p>PAGE 23-24</p>
<p>SHOCK</p>  <p>PAGE 25-26</p>	<p>REAR WHEEL</p>  <p>PAGE 27-28</p>	<p>SWINGARM</p>  <p>PAGE 29-30</p>	<p>TRIPLE CLAMP</p>  <p>PAGE 31-32</p>

TABLE OF CONTENTS

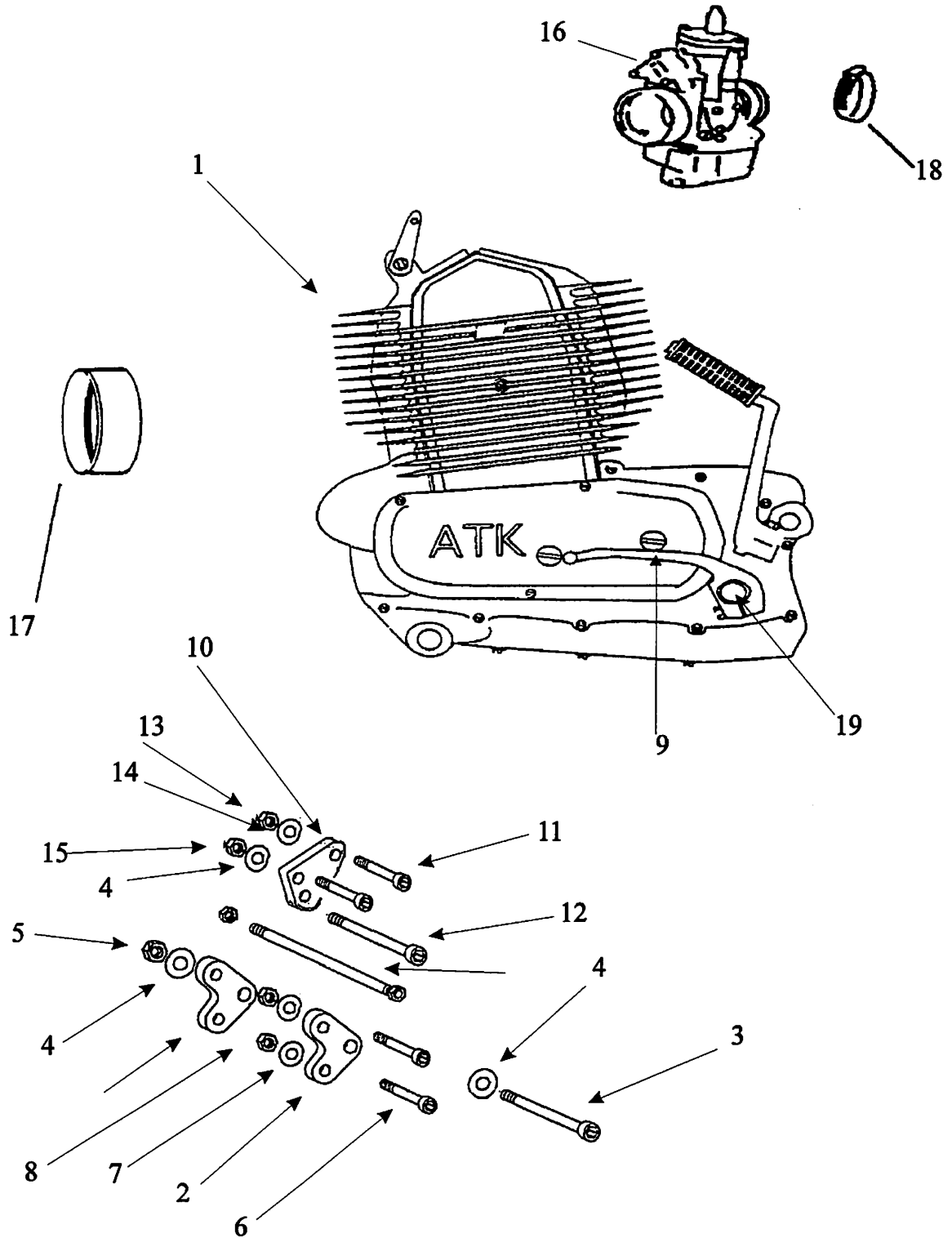
ATK

MODEL 1995 350 CCES



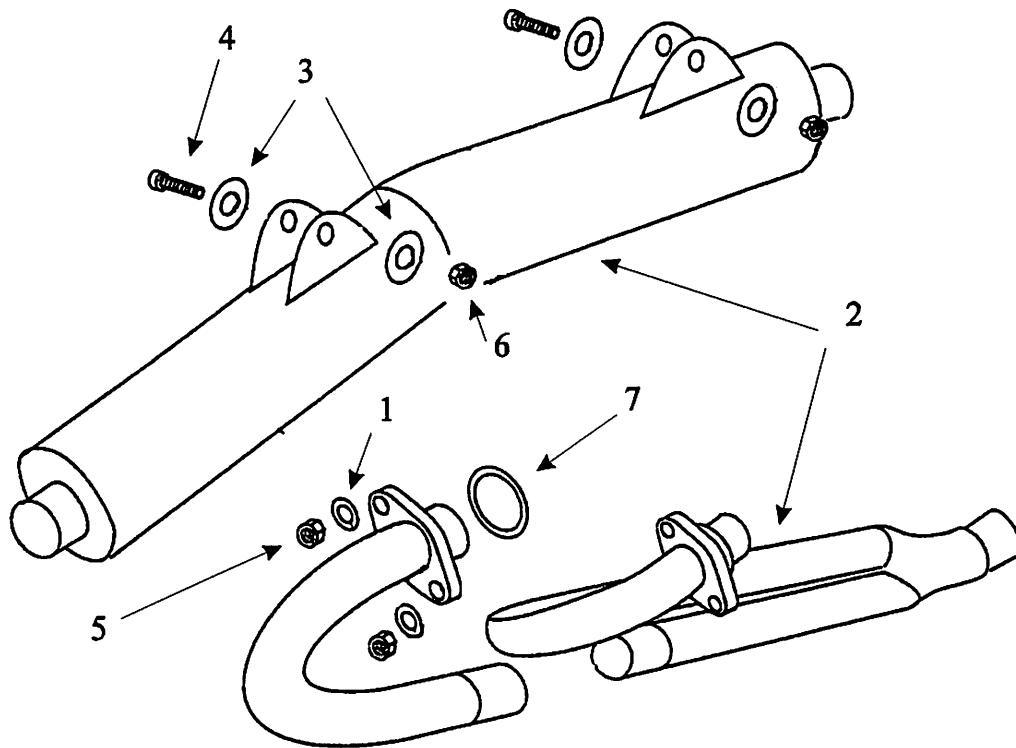
ATK

MODEL 1995 350 CCES



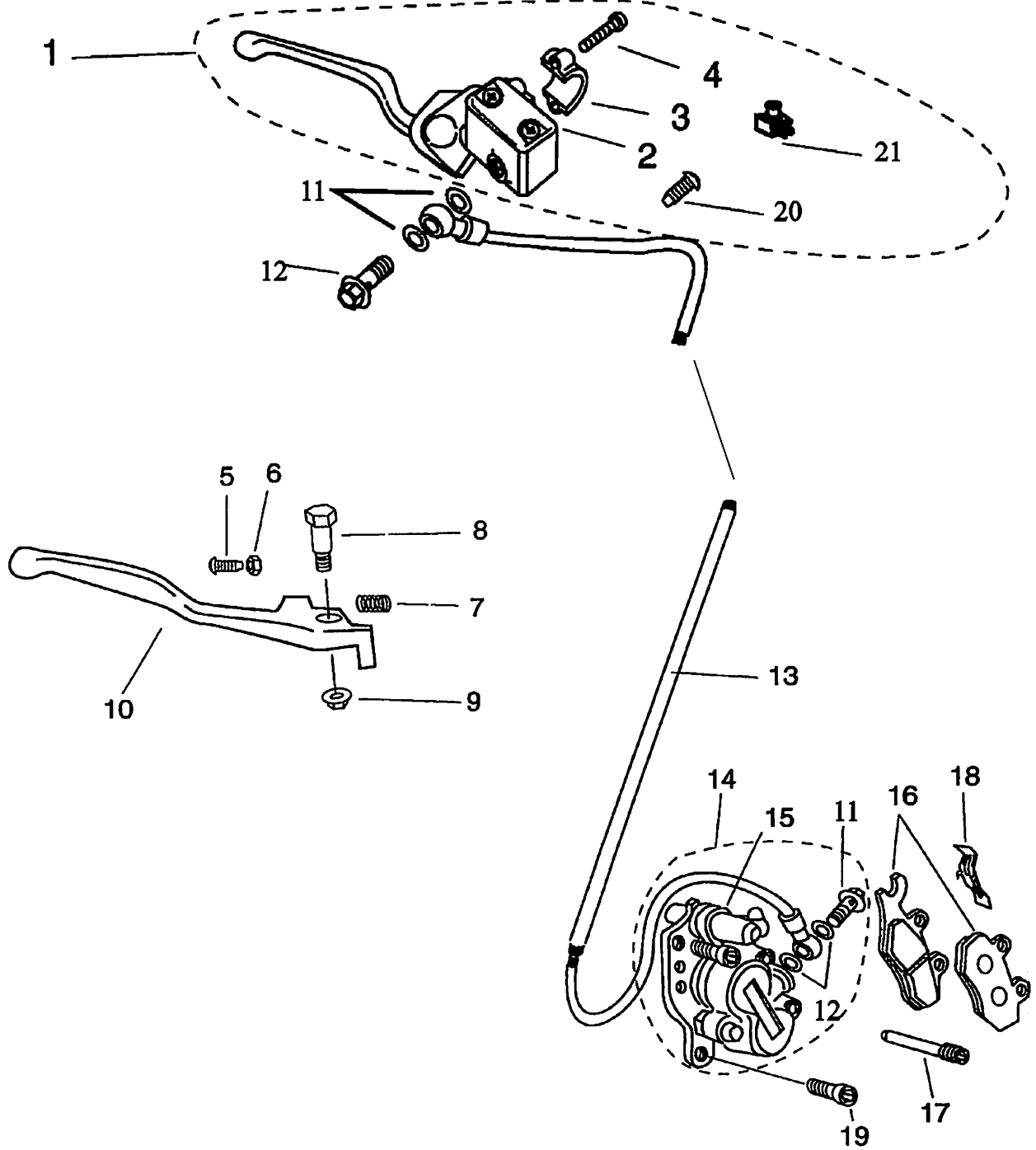
ATK

MODEL 1995 350 CCES



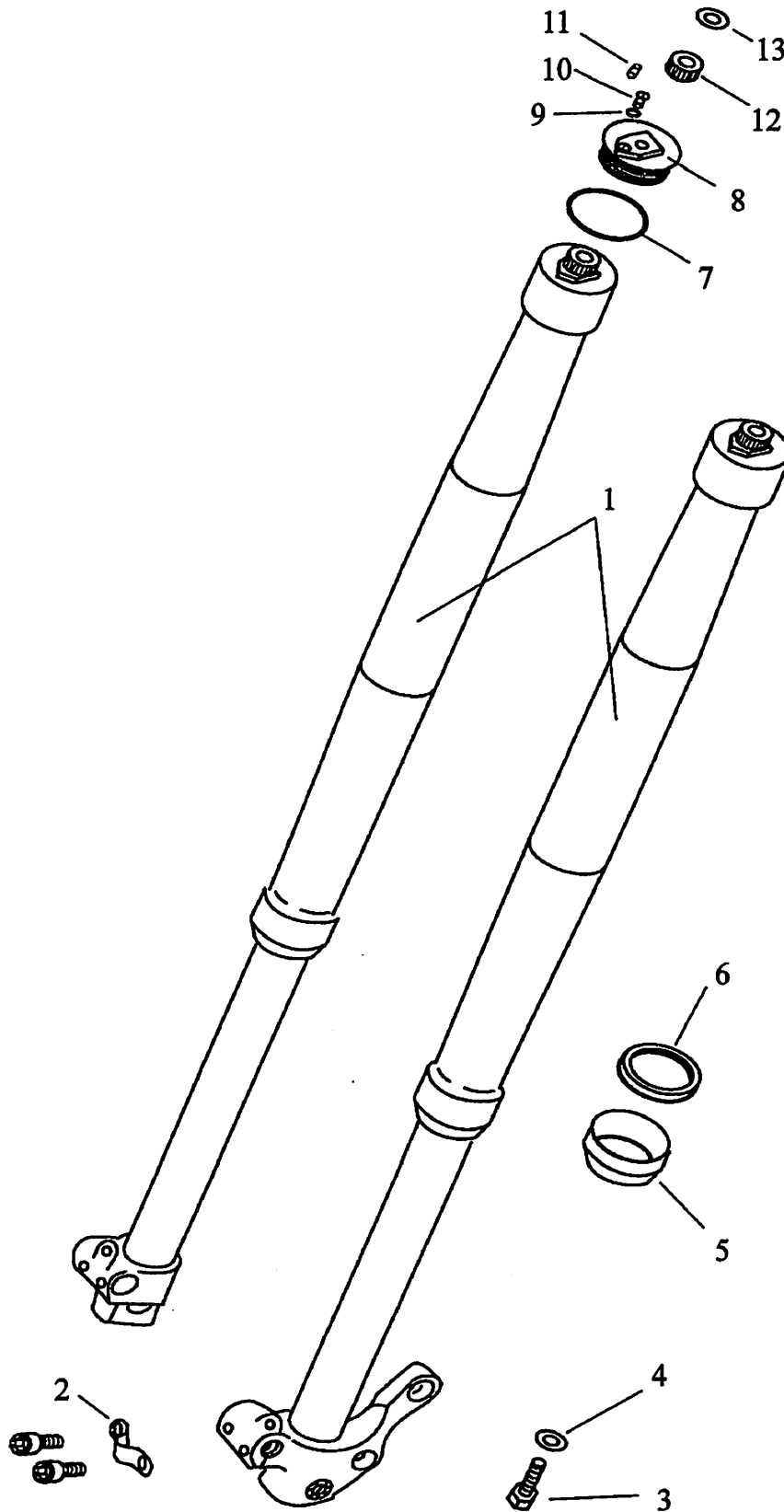
ATK

MODEL 1995 350 CCES



ATK

MODEL 1995 350 CCES



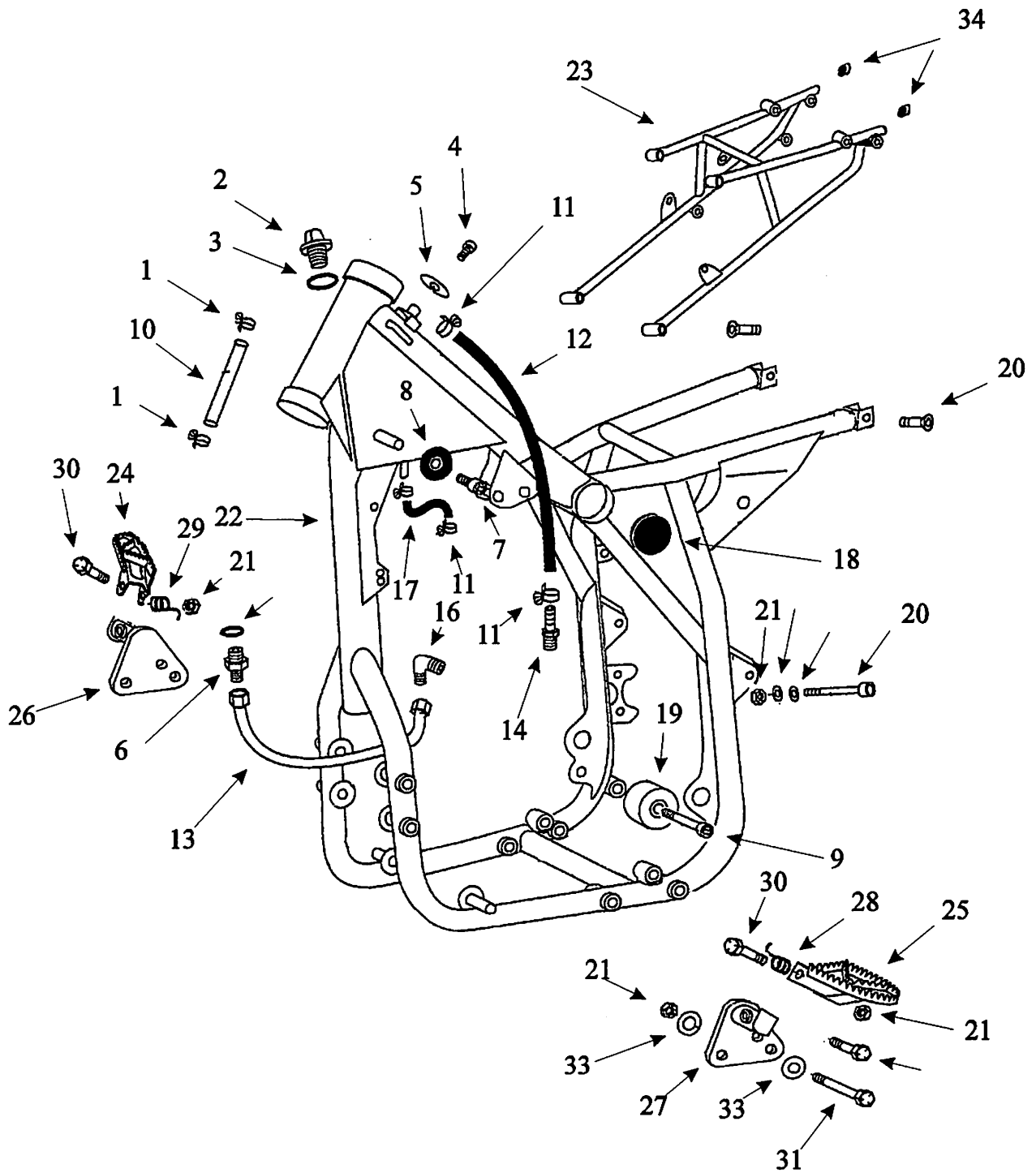


MODEL 1995 350 CCES

ITEM	DESCRIPTION	PART NUMBER	QTY.	ASSEMBLY
1	CLAMP, 5/16" SIGHT TUBE	010105	2	FRAME
2	OIL FILLER CAP	010054	1	FRAME
3	O-RING, OIL FILLER PLUG	010092	1	FRAME
4	SCREW, SHCS M6 x 12	190051	1	FRAME
5	WASHER, M6 x 20	190131	1	FRAME
6	OIL OUTPUT LUG FITTING	010093	1	FRAME
7	SCREW, SHCS M8 x 16	190074	2	FRAME
8	FUEL TANK, FRONT MOUNT DOUGHNUTS	010096	2	FRAME
9	SCREW, SHCS M8 x 50	190094	1	FRAME
10	OIL SIGHT TUBE	010063	1	FRAME
11	HOSE CLAMP, 5/8"	010114	4	FRAME
12	OIL RETURN LINE 3/8" x 24" LONG	010079	1	FRAME
13	OIL FEED LINE 3/8" x 19 1/2" LONG	010080	1	FRAME
14	OIL RETURN FITTING 3/8" BARB x 1/4" NPT	010109	1	FRAME
15	WASHER, M8 LOCK	190137	2	FRAME
16	ENGINE OIL FEED FITTING	010100	1	FRAME
17	HOSE, BREATHER 4 STROKE 3/8"	010113	1	FRAME
18	FRAME PLUG	010046	2	FRAME
19	ROLLER, FRAME MOUNTED	010101	1	FRAME
20	SCREW, SBHCS M8 x 30	190082	4	FRAME
21	NUT, M8 NYLOCK	190117	10	FRAME
22	FRAME, 4 STROKE	014000	1	FRAME
23	SUBFRAME, 2T & 4T 1996	080001	1	FRAME
24	FOOTPEG ASSEMBLY RIGHT	011089	1	FRAME
25	FOOTPEG ASSEMBLY LEFT	011101	1	FRAME
26	FOOTPEG PERCH RIGHT	010089	1	FRAME
27	FOOTPEG PERCH LEFT	010086	1	FRAME
28	FOOTPEG SPRING LEFT	010090	1	FRAME
29	FOOTPEG SPRING RIGHT	010091	1	FRAME
30	BOLT, HEX M8 x 50	190092	2	FRAME
31	BOLT, HEX M8 x 55	190045	4	FRAME
32	BOLT, HEX M8 x 15	190072	2	FRAME
33	WASHER, M8 x 16	190136	12	FRAME
34	SUBFRAME END CAP	080020	2	FRAME

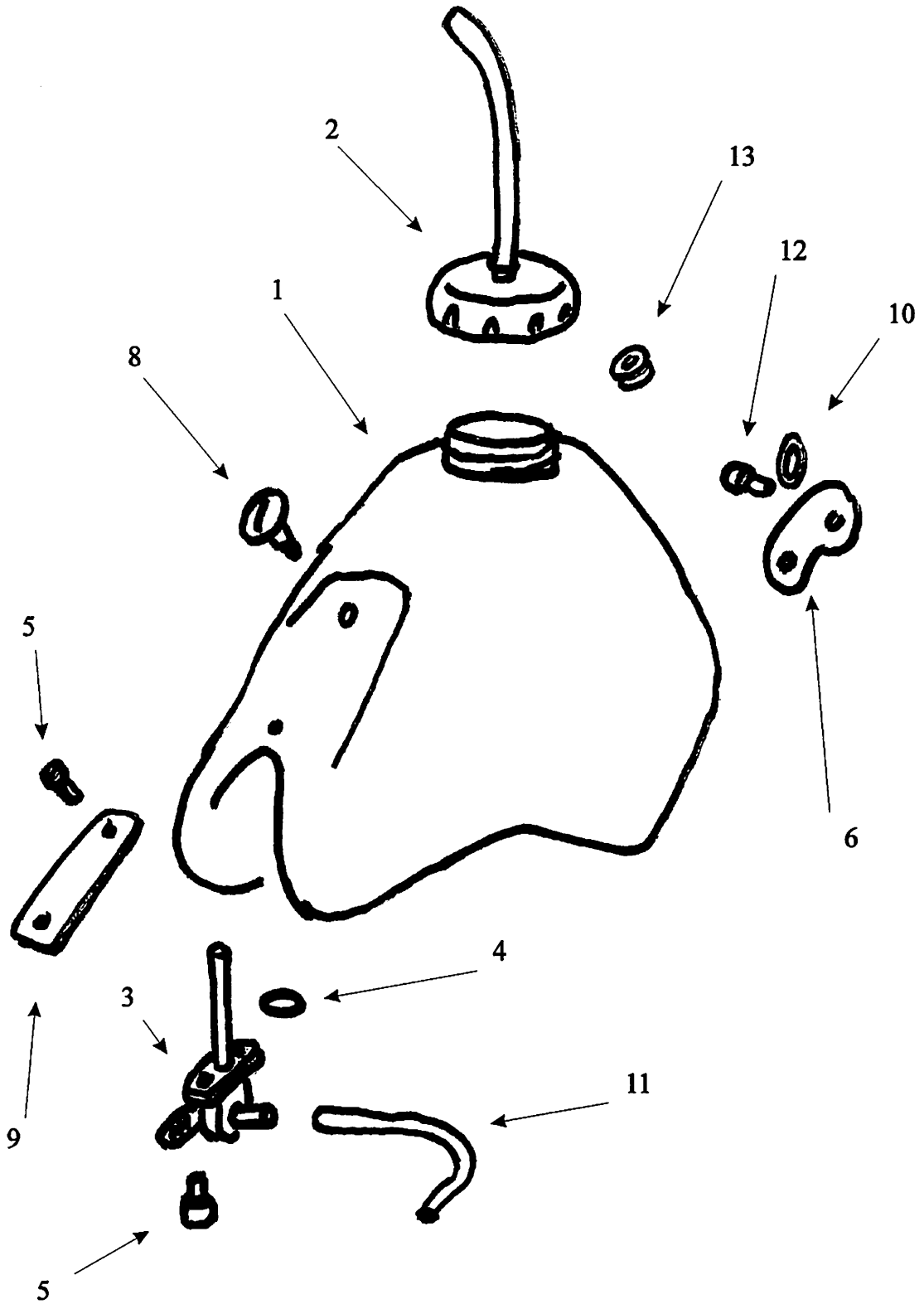
ATK

MODEL 1995 350 CCES



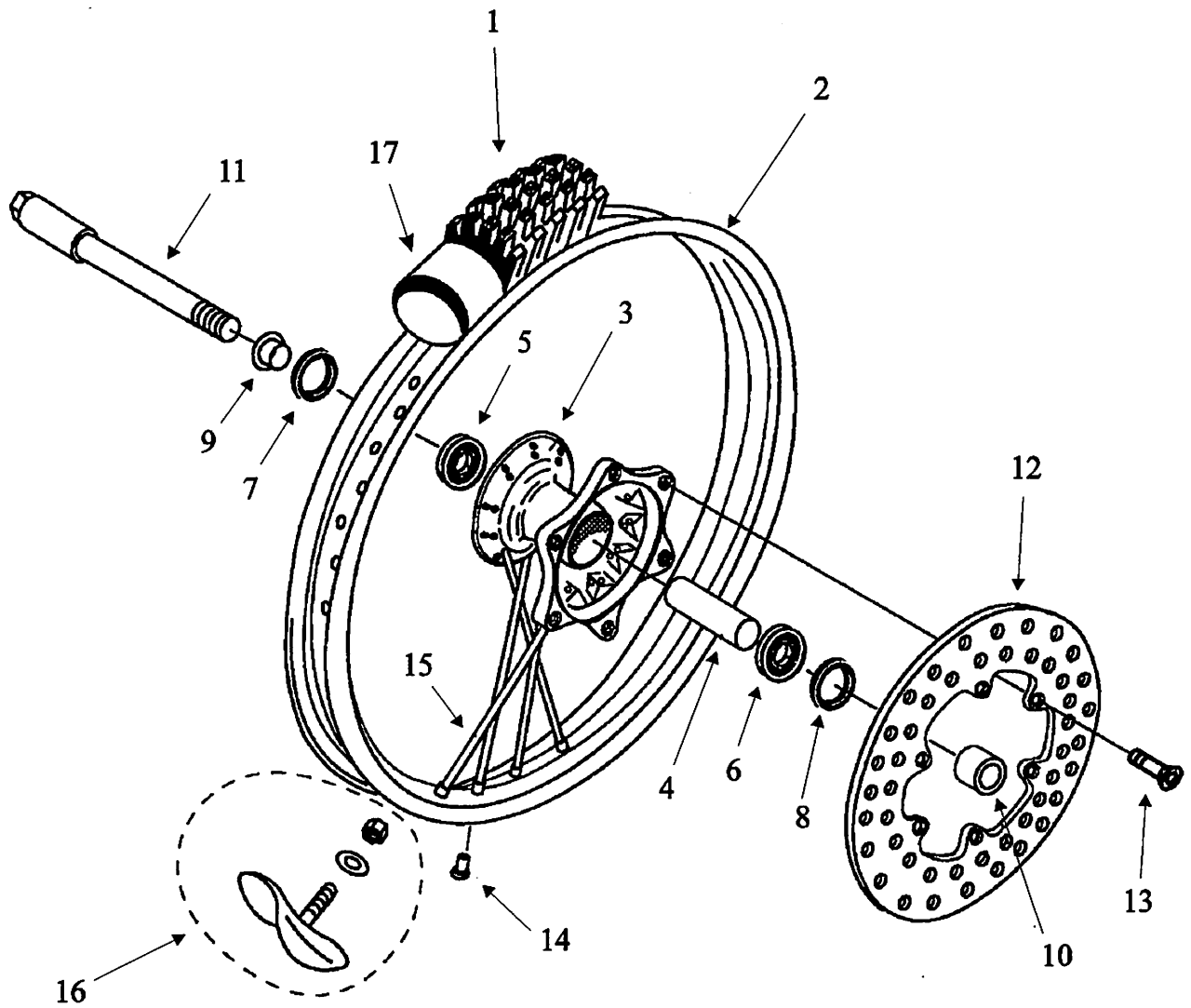
ATK

MODEL 1995 350 CCES



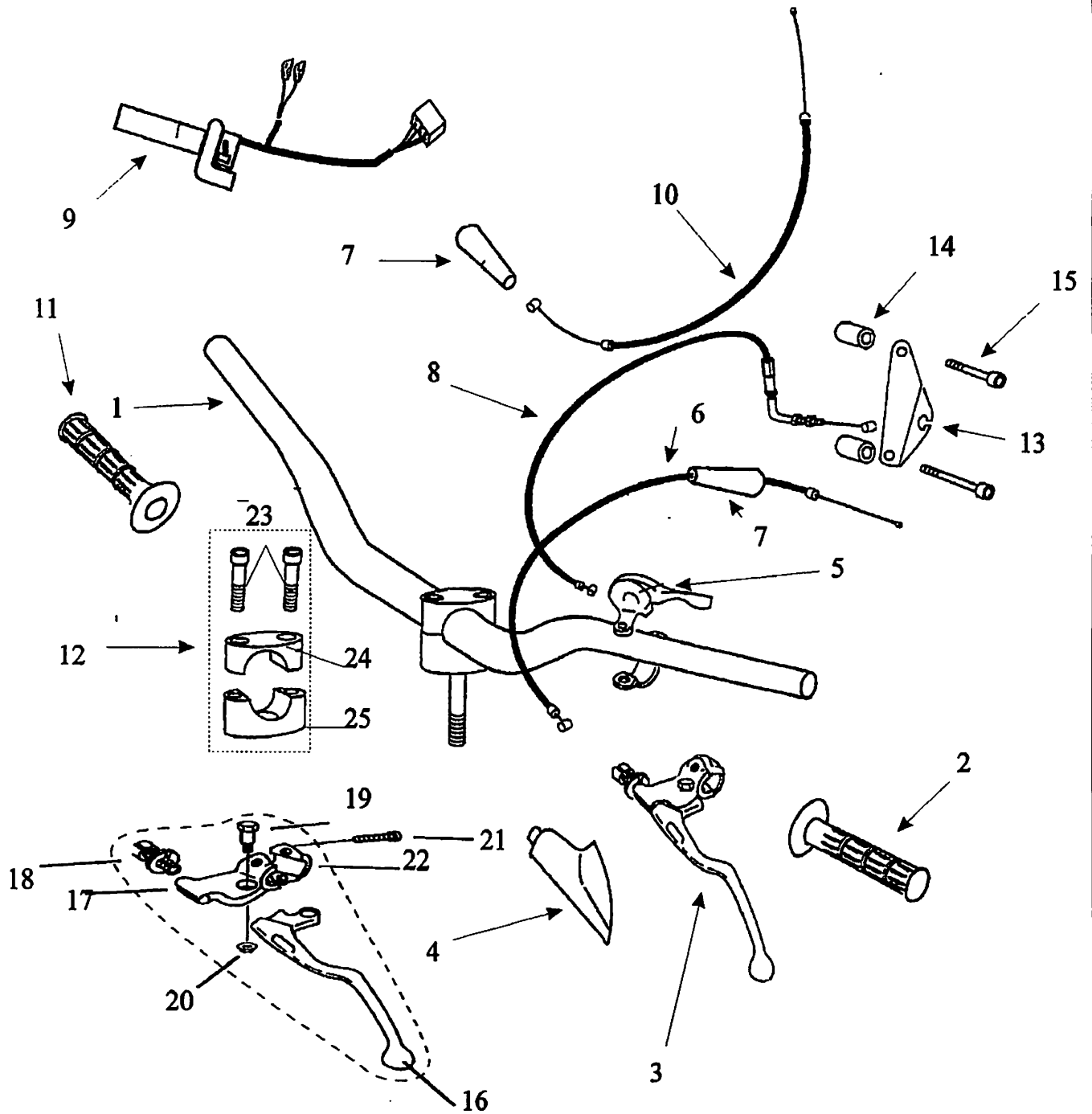
ATK

MODEL 1995 350 CCES



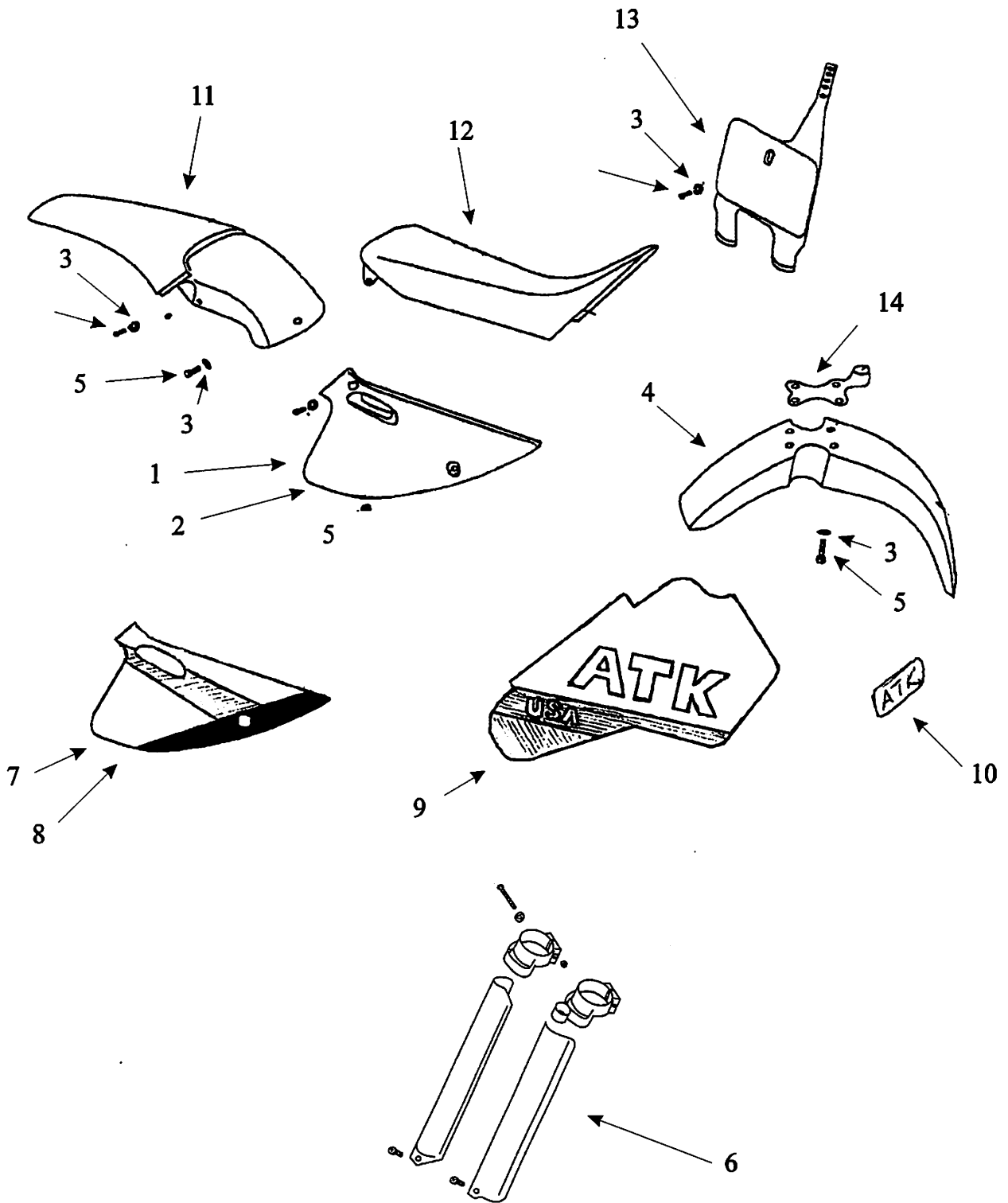
ATK

MODEL 1995 350 CCES



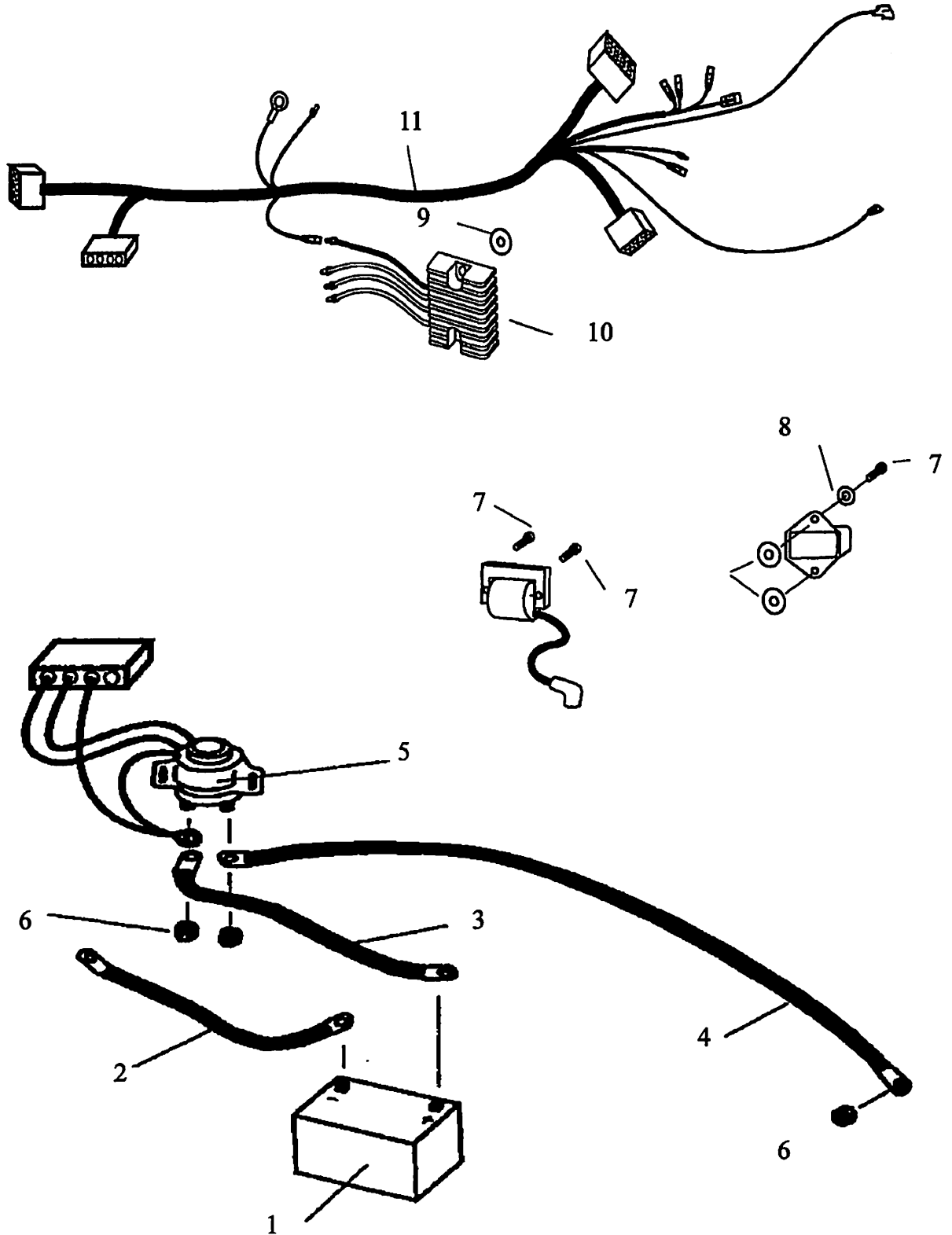
ATK

MODEL 1995 350 CCES



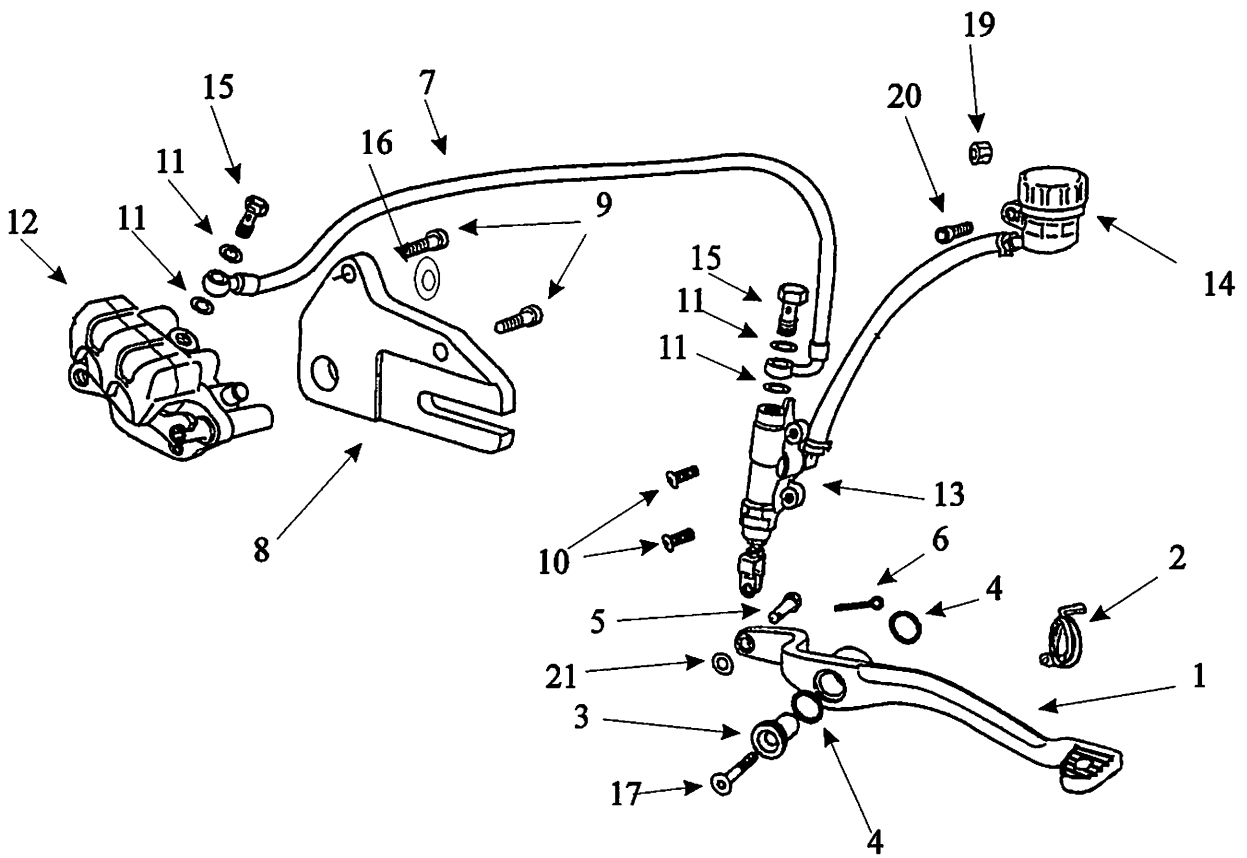
ATK

MODEL 1995 350 CCES



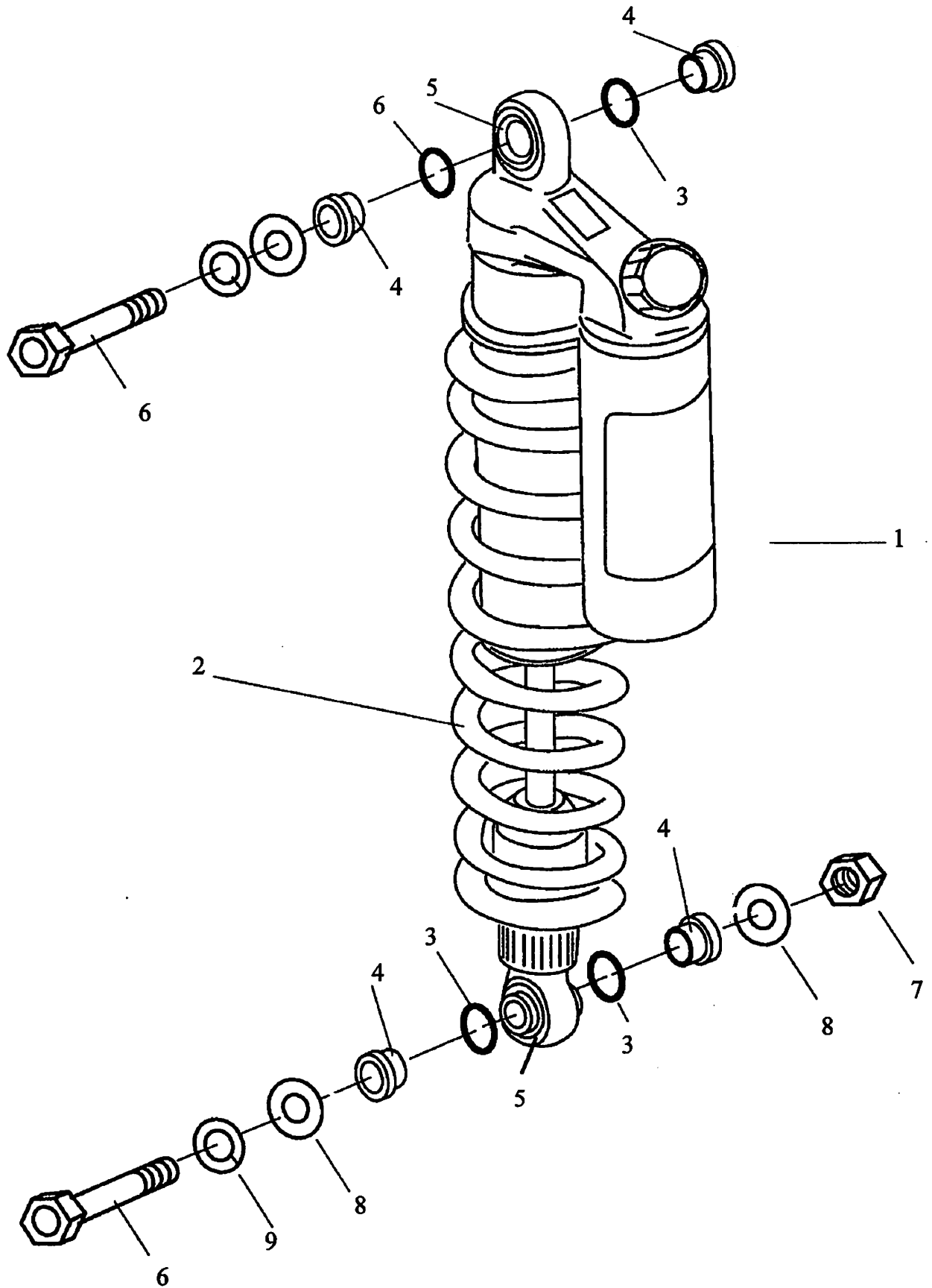
ATK

MODEL 1995 350 CCES



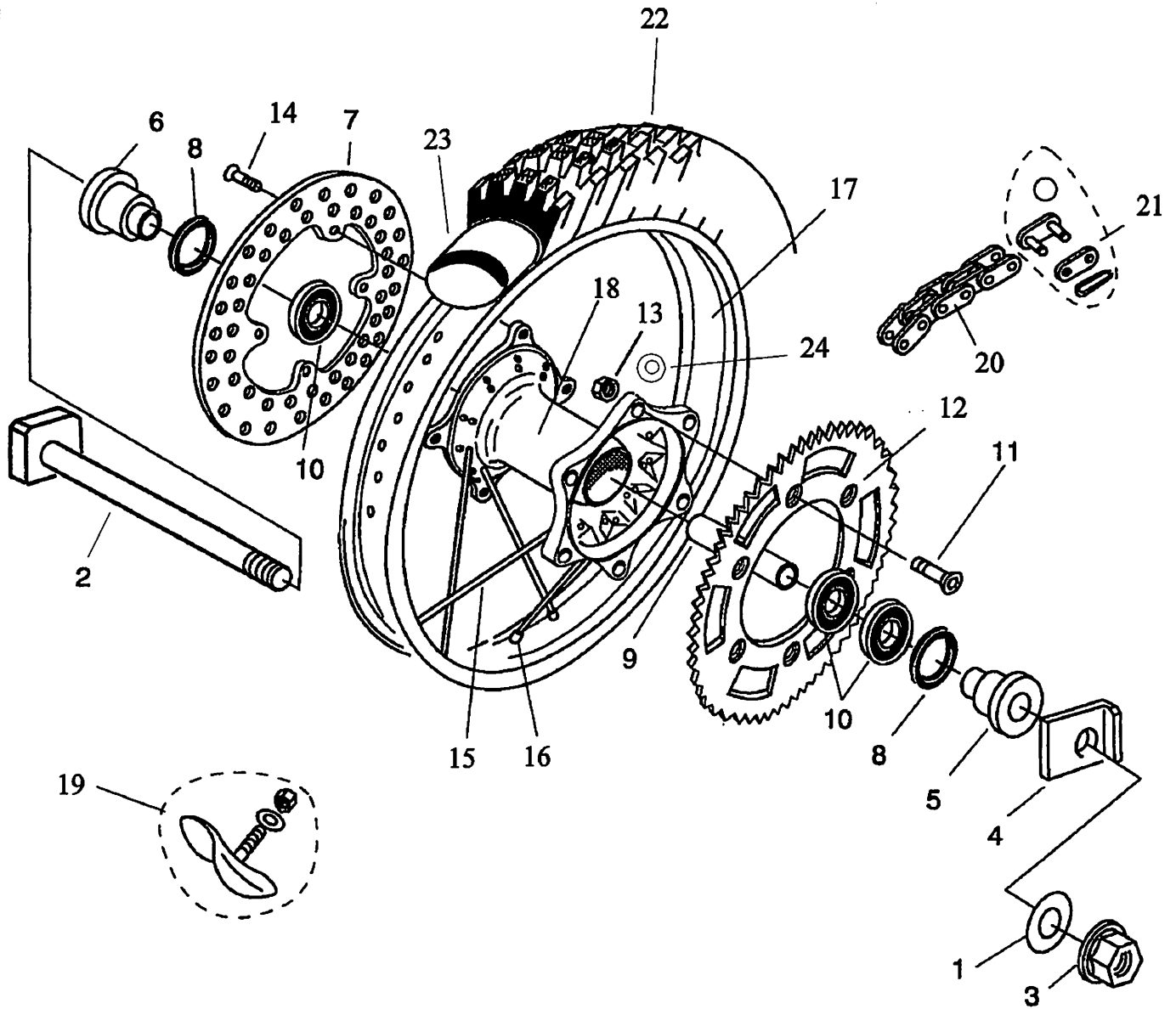
ATK

MODEL 1995 350 CCES



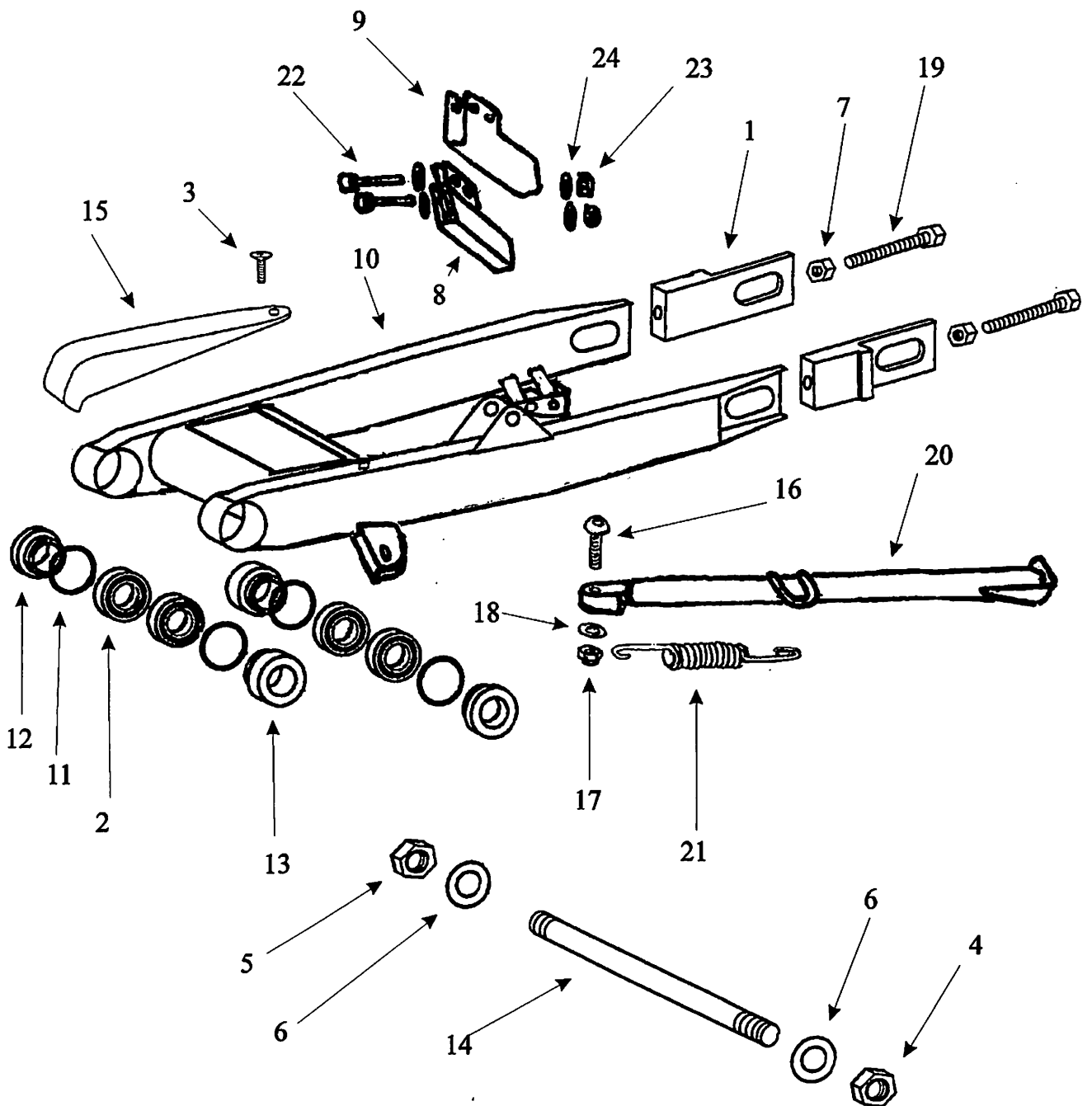
ATK

MODEL 1995 350 CCES



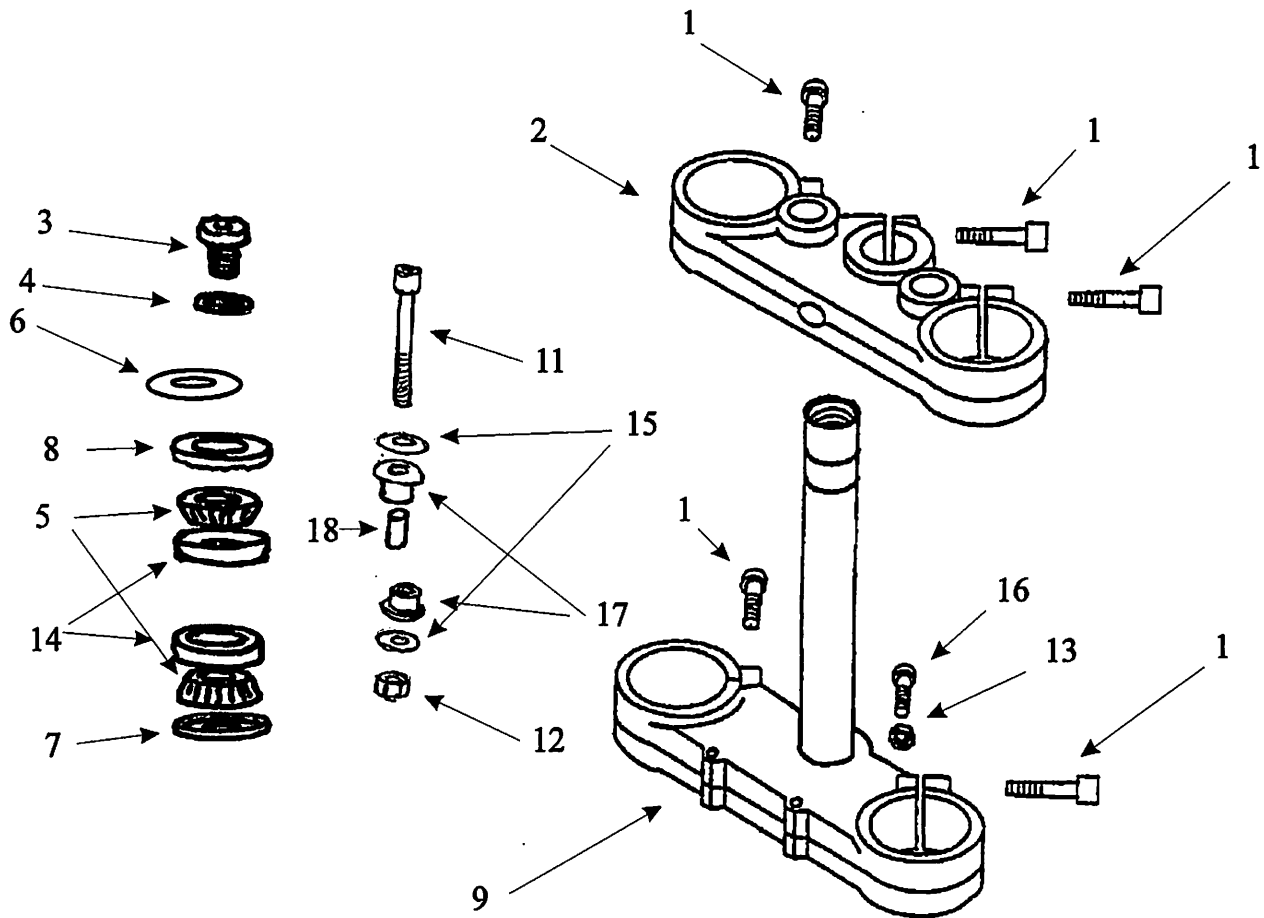
ATK

MODEL 1995 350 CCES



ATK

MODEL 1995 350 CCES



ATK

ATK AMERICA, INC.

1164 West 850 North, Centerville, Utah 84014 • (801) 298-8288 Fax (801) 299-0710