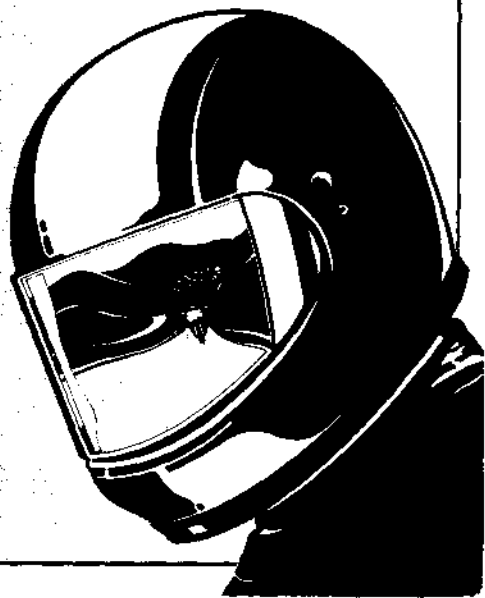
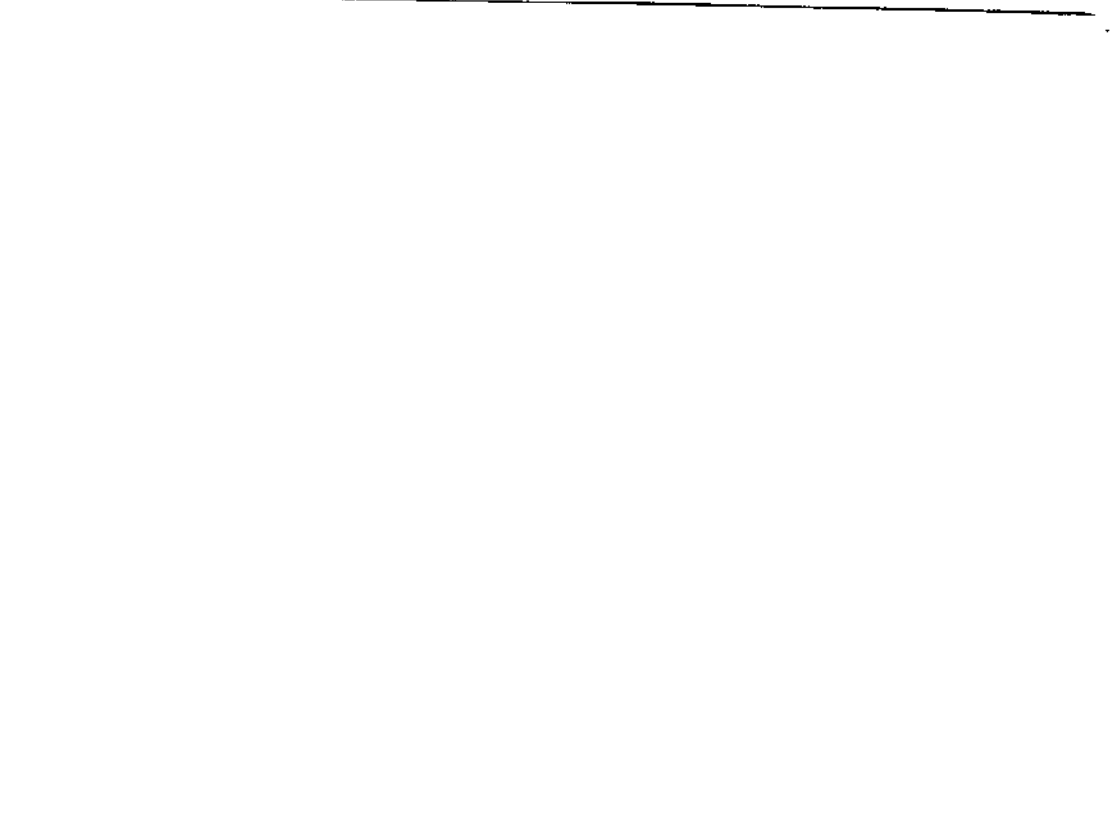


HONDA

OWNER'S MANUAL
MANUEL DU CONDUCTEUR
FAHRER-HANDBUCH



NTV650



HONDA

NTV650

OWNER'S MANUAL

MANUEL DU CONDUCTEUR

FAHRER-HANDBUCH

IMPORTANT NOTICE

- **OPERATOR AND PASSENGER**

This motorcycle is designed to carry the operator and one passenger. Never exceed the maximum weight capacity as shown on the tyre information label.

- **ON-ROAD USE**

This motorcycle is designed to be used only on the road.

- **READ THIS OWNER'S MANUAL CAREFULLY**

Pay special attention to statements preceded by the following words:

▲ WARNING

Indicates a strong possibility of severe personal injury or death if instructions are not followed.

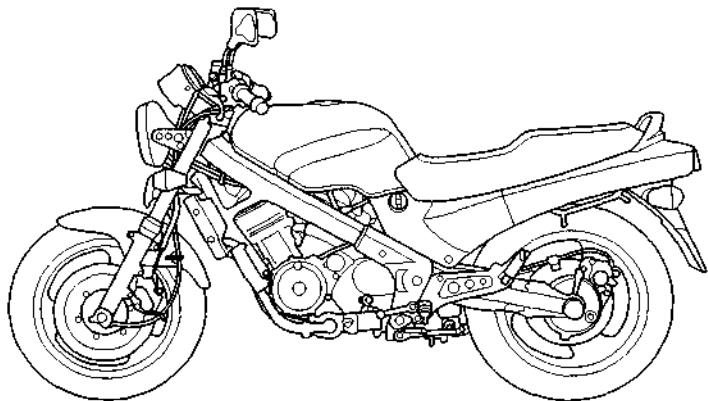
CAUTION:

Indicates a possibility of personal injury or equipment damage if instructions are not followed.

NOTE: Gives helpful information.

This manual should be considered a permanent part of the motorcycle and should remain with the motorcycle when resold.

HONDA NTV650 OWNER'S MANUAL



All information in this publication is based on the latest production information available at the time of approval for printing. HONDA MOTOR CO.,LTD. reserves the right to make changes at any time without notice and without incurring any obligation.

No part of this publication may be reproduced without written permission.

WELCOME

The motorcycle presents you a challenge to master the machine, a challenge to adventure. You ride through the wind, linked to the road by a vehicle that responds to your commands as no other does. Unlike an automobile, there is no metal cage around you. Like an airplane, a pre-ride inspection and regular maintenance are essential to your safety. Your reward is freedom.

To meet the challenges safely, and to enjoy the adventure fully, you should become thoroughly familiar with this owner's manual BEFORE YOU RIDE THE MOTORCYCLE.

When service is required, remember that your Honda dealer knows your motorcycle best. If you have the required mechanical "know-how" and tools, your dealer can supply you with an official Honda Service Manual to help you perform many maintenance and repair tasks.

Pleasant riding, and thank you for choosing a Honda !

- Following codes in this manual indicate each country.

E	UK
F	France
SW	Switzerland
SP	Spain
	Italy

ED	European direct sales
	Belgium
	Portugal
H	Holland

G	Germany
	Sweden
	Norway
II G	Germany (Type II)
III G	Germany (Type III)

- The specifications may vary with each locale.

OPERATION

Page		Page	
1	MOTORCYCLE SAFETY	34	ESSENTIAL INDIVIDUAL COMPONENTS
1	Safe Riding Rules	34	Ignition Switch
2	Protective Apparel	35	Right Handlebar Controls
2	Modifications	36	Left Handlebar Controls
3	Loading and Accessories		
6	PARTS LOCATION	37	FEATURES (Not required for operation)
9	Instruments and Indicators	37	Steering Lock
13	MAJOR COMPONENTS (Information you need to operate this motorcycle)	38	Helmet Holder
13	Suspension	39	Seat
17	Brakes	39	Document Compartment
20	Clutch	40	Side Cover
22	Coolant	41	OPERATION
25	Fuel	41	Pre-ride Inspection
29	Engine Oil	42	Starting the Engine
30	Final Drive Oil	46	Running-in
31	Tubeless Tyres	47	Riding
		49	Braking
		50	Parking
		50	Anti-theft Tips

MAINTENANCE

Page	
51	MAINTENANCE
52	Maintenance Schedule
55	Tool Kit
56	Serial Numbers
57	Colour Label
57	Maintenance Precautions
58	Engine Oil
62	Crankcase Breather
63	Spark Plugs
65	Throttle Operation
66	Idle Speed
67	Final Drive Oil
68	Wheel Removal
73	Front and Rear Suspension Inspection
74	Brake Pad Wear
76	Side Stand
77	Battery
79	Fuse Replacement
82	Stoplight Switch Adjustment

Page	
83	CLEANING
85	STORAGE GUIDE
85	Storage
87	Removal from Storage
88	SPECIFICATIONS

MOTORCYCLE SAFETY

▲WARNING

- * **Motorcycle riding requires special efforts on your part to ensure your safety. Know these requirements before you ride:**

SAFE RIDING RULES

1. Always make a pre-ride inspection (page 41) before you start the engine. You may prevent an accident or equipment damage.
2. Many accidents involve inexperienced riders. Most countries require a special motorcycle riding test or license. Make sure you are qualified before you ride. NEVER lend your motorcycle to an inexperienced rider.
3. Many automobile/motorcycle accidents happen because the automobile driver does not “see” the motorcyclist. Make yourself conspicuous to help avoid the accident that wasn’t your fault:
 - Wear bright or reflective clothing.

- Don’t ride in another motorist’s “blind spot.”
4. Obey all national and local laws and regulations.
 - Excessive speed is a factor in many accidents. Obey the speed limits, and NEVER travel faster than conditions warrant.
 - Signal before you make a turn or lane change. Your size and maneuverability can surprise other motorists.
 5. Don’t let other motorists surprise you. Use extra caution at intersections, parking lot entrances and exits, and driveways.
 6. Keep both hands on the handlebars and both feet on the footpegs while riding. A passenger should hold on to the motorcycle or the operator with both hands and keep both feet on the passenger footpegs.

PROTECTIVE APPAREL

1. Most motorcycle accident fatalities are due to head injuries: **ALWAYS** wear a helmet. You should also wear a face shield or goggles as well as boots, gloves and protective clothing. A passenger needs the same protection.
2. The exhaust system becomes hot during operation, and it remains hot for a while after stopping the engine. Be careful not to touch the exhaust system while it is hot. Wear clothing that fully covers your legs.
3. Do not wear loose clothing which could catch on the control levers, footpegs or wheels.

MODIFICATIONS

▲WARNING

- * **Modification of the motorcycle, or removal of original equipment, may render the vehicle unsafe or illegal. Obey all national and local equipment regulations.**

LOADING AND ACCESSORIES

▲WARNING

- **To prevent an accident, use extreme care when adding and riding with accessories and cargo. Addition of accessories and cargo can reduce a motorcycle's stability, performance and safe operating speed. Never ride an accessory-equipped motorcycle at speeds above 130 km/h (80 mph). And remember that this 130 km/h (80mph) limit may be reduced by installation of non-Honda accessories, improper loading, worn tyres and overall motorcycle condition, poor road or weather conditions. These general guidelines may help you decide whether or how to equip your motorcycle and how to load it safely.**

Loading

The combined weight of the rider, passenger, cargo and additional accessories must not exceed the maximum weight capacity:

191 kg (421 lbs)...ED,E,F,G,IIG,IIIG,SP.H

190 kg (419 lbs)...SW

Cargo weight alone should not exceed:

27 kg (60 lbs)

1. Keep cargo and accessory weight low and close to the center of the motorcycle. Load weight equally on both sides to minimize imbalance. As weight is located further from the motorcycle's center of gravity, handling is proportionally affected.
2. Adjust tyre pressure (page 31) and rear suspension (page 13) to suit load weight and riding conditions.

3. Vehicle handling and stability can be adversely affected by loose cargo. Recheck cargo security and accessory mounts frequently.
4. Do not attach large or heavy items (such as a sleeping bag or tent) to the handlebars, fork, or fender. Unstable handling or slow steering response may result.

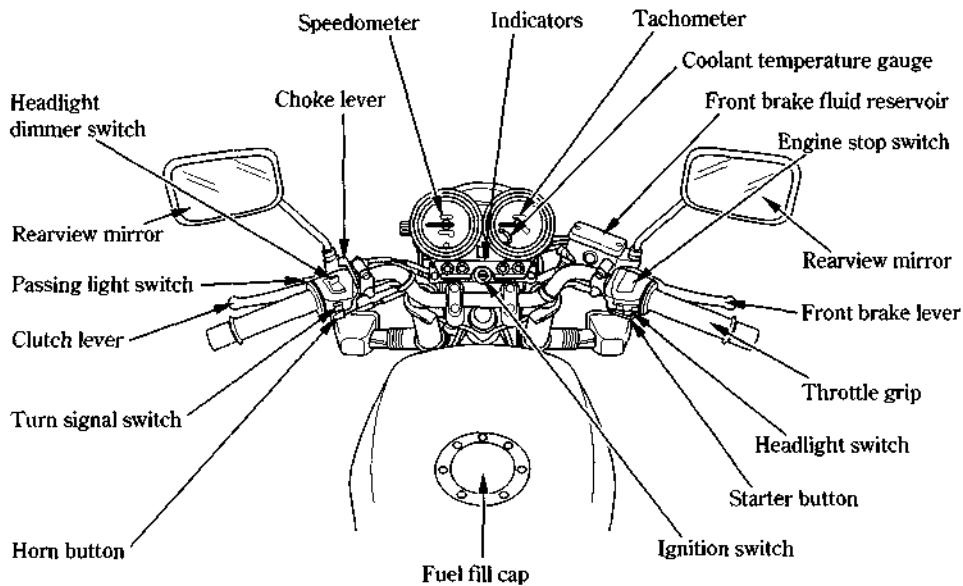
Accessories

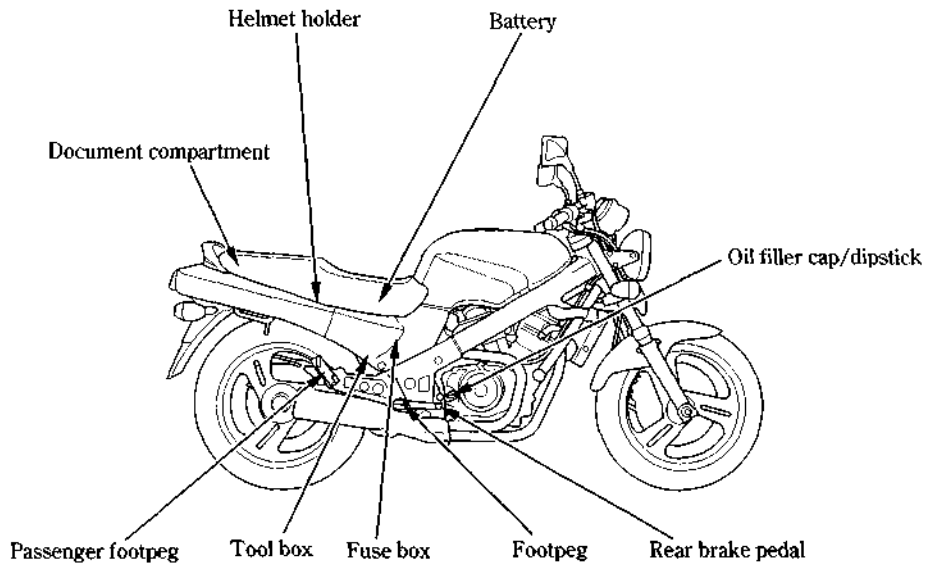
Genuine Honda accessories have been specifically designed for and tested on this motorcycle. Because the factory cannot test all other accessories, you are personally responsible for proper selection, installation, and use of non-Honda accessories. Always follow the guidelines under Loading, and these:

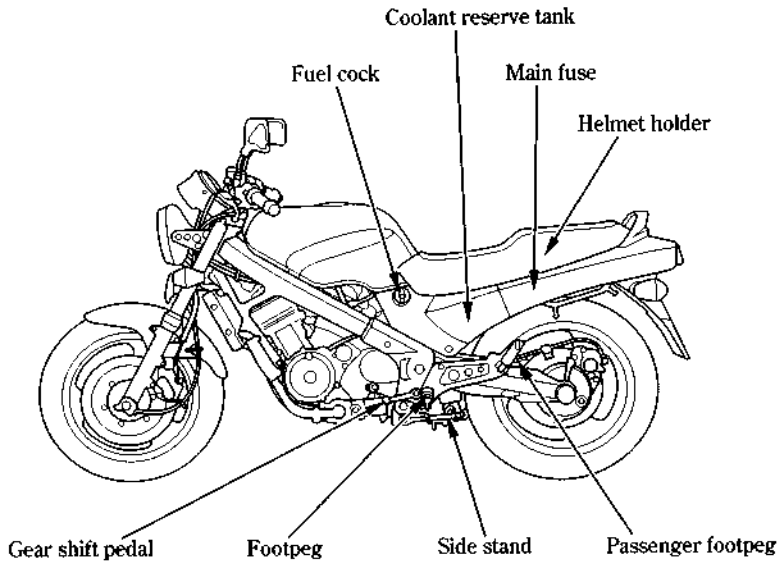
1. Carefully inspect the accessory to make sure it does not obscure any lights, reduce ground clearance and banking angle, or limit suspension travel, steering travel or control operation.
2. Large fork-mounted fairings or windshields, or poorly designed or improperly mounted fairings can produce aerodynamic forces that cause unstable handling. Do not install fairings that decrease cooling air flow to the engine.

3. Accessories which alter your riding position by moving hands or feet away from controls may increase reaction time in an emergency.
4. Do not add electrical equipment that will exceed the motorcycle's electrical system capacity. A blown fuse could cause a dangerous loss of lights or engine power.
5. This motorcycle was not designed to pull a sidecar or trailer. Handling may be seriously impaired if so equipped.
6. Any modification of the cooling system may cause overheating and serious engine damage. Do not modify the radiator shrouds or install accessories which block or deflect air away from the radiator.

PARTS LOCATION



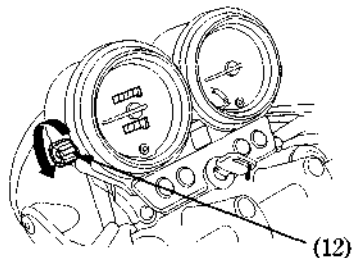
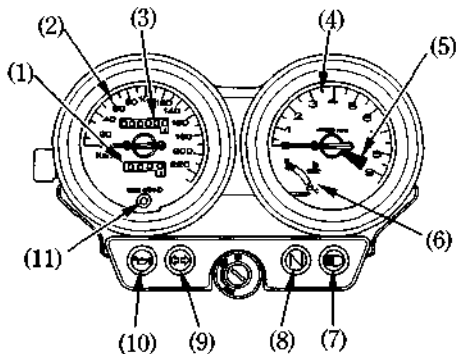




INSTRUMENTS AND INDICATORS

The indicators are contained in the instrument panel. Their functions are described in the tables on the following pages.

- (1) Tripmeter
- (2) Speedometer
- (3) Odometer
- (4) Tachometer
- (5) Tachometer red zone
- (6) Coolant temperature gauge
- (7) High beam indicator
- (8) Neutral indicator
- (9) Turn signal indicator
- (10) Low oil pressure indicator
- (11) Side stand indicator
- (12) Tripmeter reset knob



(Ref.No.) Description	Function
(1) Tripmeter	Shows mileage per trip.
(2) Speedometer	Shows riding speed.
(3) Odometer	Shows accumulated mileage.
(4) Tachometer	Shows engine rpm.
(5) Tachometer red zone	<p>Never allow the tachometer needle to enter the red zone, even after the engine has been broken in.</p> <p>CAUTION: * Running the engine beyond recommended maximum engine speed (the beginning of the tachometer red zone) can damage the engine.</p>
(6) Coolant temperature gauge	Shows coolant temperature (page 12).
(7) High beam indicator	Lights when the head light is on high beam.

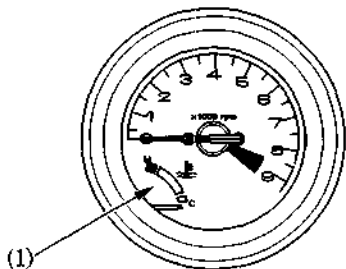
(Ref.No.) Description	Function
(8) Neutral indicator (green)	Lights when the transmission is in neutral.
(9) Turn signal indicator	Flashes when either turn signal is operated.
(10) Low oil pressure indicator	<p>Lights when the engine oil pressure is below the normal operating range. Should light when ignition switch is ON and engine is not running. Should go out when the engine starts, except for occasional flickering at or near idling speed when engine is warm.</p> <p>CAUTION: * Running the engine with insufficient oil pressure may cause serious engine damage.</p>
(11) Side stand indicator	<p>Lights when the side stand is put down. Before parking, check that the side stand is fully down; the light only indicates the side stand ignition cut-off system (page 42) is activated.</p>
(12) Tripmeter reset knob	Resets tripmeter to zero (0). Turn knob in direction shown.

Coolant Temperature Gauge

When the needle begins to move above the C (Cold) mark, the engine is warm enough for the motorcycle to be ridden. The normal operating temperature range is within the section between the H and C marks. If the needle reaches the H (Hot) mark, stop the engine and check the reserve tank coolant level. Read pages 23 – 24 and do not ride the motorcycle until the problem has been corrected.

CAUTION:

*** Exceeding maximum running temperature may cause serious engine damage.**



(1) Coolant temperature gauge

MAJOR COMPONENTS (Information you need to operate this motorcycle)

▲WARNING

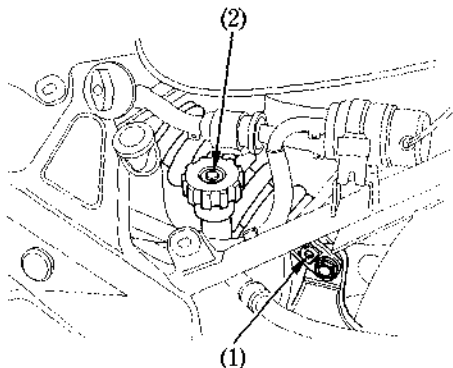
• If the Pre-ride Inspection (page 41) is not performed, severe personal injury or vehicle damage may result.

SUSPENSION

Rear Suspension

The rear suspension can provide the desired ride under various rider/passenger weight and riding conditions through adjustments of the rebound damping and spring preload adjuster.

Remove left side cover to adjust damping force and spring preload.

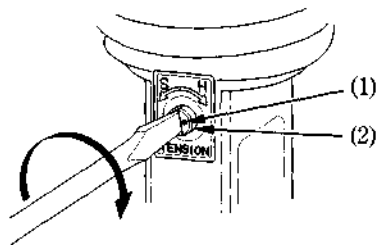


- (1) Damping adjuster
- (2) Spring preload adjuster

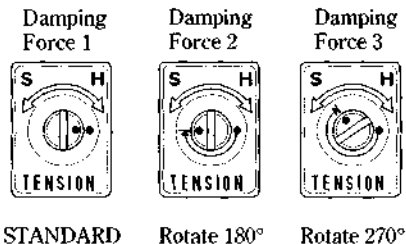
Tension damping:

There are three damping force adjustment positions. The position at which the dots (1) align is the standard position.

To increase the damping force turn the adjuster (2) 180° or 270° clockwise from the standard position.



- (1) Dots
- (2) Damping adjuster

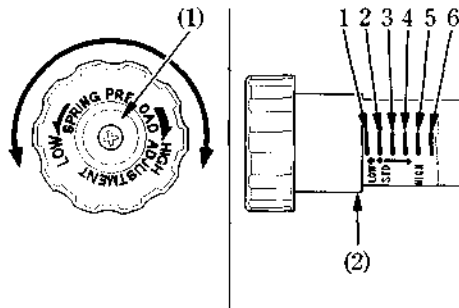


Spring preload adjustment:

The spring preload adjuster has 6 spring preload positions for different load or riding conditions.

To make adjustments, turn the adjuster knob (1) clockwise to increase and counterclockwise to decrease preload. Align the lip of the adjuster (2) to any of the six segments according to the following recommended adjustments for various loads.

Vehicle load	Damping Force	Spring preload
Rider alone (up to 75 kg)	1	1 to 3
Rider + Cargo (up to 100 kg)	2	4
Rider + Passenger (up to 150 kg)	2	4 to 5
Rider + Passenger + Cargo (up to Max. Weight Capacity)	3	6



(1) Adjuster knob

(2) Adjuster lip

▲WARNING

- * The rear shock absorber assembly includes a damper unit that contains high pressure nitrogen gas. The instructions found in this owner's manual are limited to adjustment of the shock assembly only. Do not attempt to disassemble, disconnect or service the damper unit; an explosion causing serious injury may result.
- * Puncture or exposure to flame may also result in an explosion, causing serious injury.
- * Service or disposal should only be done by your authorized Honda dealer or a qualified mechanic, equipped with the proper tools, safety equipment and the official Honda Shop Manual.

BRAKES

Both the front and rear brakes are the hydraulic disc types.

As the brake pads wear, the brake fluid level drops.

There are no adjustments to perform, but fluid level and pad wear must be inspected periodically. The system must be inspected frequently to ensure there are no fluid leaks. If the control lever or pedal free travel becomes excessive and the brake pads are not worn beyond the recommended limit (page 74), there is probably air in the brake system and it must be bled. See your authorized Honda dealer for this service.

Front Brake Fluid Level:

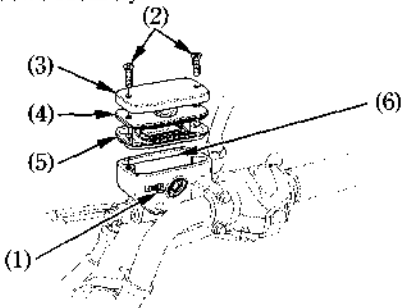
▲ WARNING

- * **Brake fluid may cause irritation. Avoid contact with skin or eyes. In case of contact, flush thoroughly with water and call a doctor if your eyes were exposed.**
- * **KEEP OUT OF REACH OF CHILDREN.**

CAUTION:

- * **Handle brake fluid with care because it can damage plastic and painted surfaces.**
- * **When adding brake fluid, be sure the reservoir is horizontal before the cap is removed or brake fluid may spill out.**
- * **Use only DOT 4 brake fluid from a sealed container.**
- * **Never allow contaminants such as dirt or water to enter the brake fluid reservoir.**

Brake fluid must be added to the reservoir whenever the fluid level begins to reach the LOWER level mark (1). Remove the screws (2), reservoir cover (3), diaphragm plate (4), and diaphragm (5). Fill the reservoir with DOT 4 BRAKE FLUID from a sealed container up to the upper level mark (6). Reinstall the diaphragm, diaphragm plate, and cover. Tighten the screws securely.



- | | |
|----------------------|----------------------|
| (1) LOWER level mark | (4) Diaphragm plate |
| (2) Screws | (5) Diaphragm |
| (3) Reservoir cover | (6) UPPER level mark |

Rear Brake

Rear Brake Fluid Level:

▲WARNING

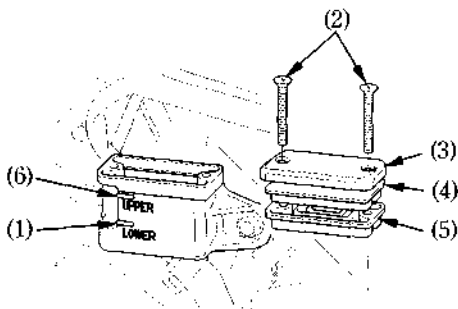
- * Brake fluid may cause irritation. Avoid contact with skin or eyes. In case of contact, flush thoroughly with water and call a doctor if your eyes were exposed.
- * **KEEP OUT OF REACH OF CHILDREN.**

CAUTION:

- * Handle brake fluid with care because it can damage plastic and painted surfaces.
- * When adding brake fluid, be sure the reservoir is horizontal before the cap is removed or brake fluid may spill out.
- * Use only DOT 4 brake fluid from a sealed container.
- * Never allow contaminants such as dirt or water to enter the brake fluid reservoir.

Check that the fluid level is above the LOWER level mark (1) with the motorcycle in an upright position.

Brake fluid must be added to the reservoir whenever the fluid level begins to reach the LOWER level mark (1). Remove the right side cover (page 40). Remove the screws (2), reservoir cover (3), diaphragm plate (4) and diaphragm (5). Fill the reservoir with DOT 4 BRAKE FLUID from a sealed container up to the UPPER level mark (6). Reinstall the diaphragm, diaphragm plate and cover. Tighten the screws securely.



Other Checks:

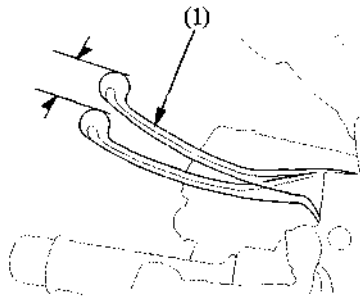
Make sure there are no fluid leaks. Check for deterioration or cracks in the hoses and fittings.

- | | |
|----------------------|----------------------|
| (1) LOWER level mark | (4) Diaphragm plate |
| (2) Screws | (5) Diaphragm |
| (3) Reservoir cover | (6) UPPER level mark |

CLUTCH

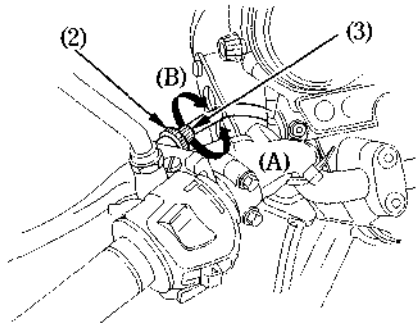
Clutch adjustment may be required if the motorcycle stalls when shifting into gear or tends to creep; or if the clutch slips, causing acceleration to lag behind engine speed. Minor adjustments can be made with the clutch cable adjuster (3) at the lever (1).

Normal clutch lever free play is:
10 – 20 mm (0.4 – 0.8 in)



(1) Clutch lever

1. Loosen the lock nut (2) and turn the adjuster (3). Tighten the lock nut (2) and check the adjustment.
2. If the adjuster is threaded out near its limit or if the correct free play cannot be obtained, loosen the lock nut (2) and turn in the cable adjuster (3) completely. Tighten the lock nut (2).



(2) Lock nut

(A) Increase free play

(3) Clutch cable adjuster (B) Decrease free play

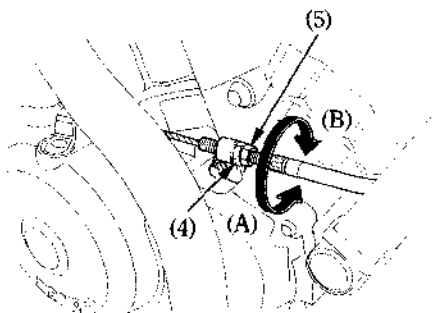
- Loosen the lock nut (4) at the lower end of the cable. Turn the adjusting nut (5) to obtain the specified free play. Tighten the lock nut (4) and check the adjustment.
- Start the engine, pull in the clutch lever and shift into gear. Make sure the engine does not stall and the motorcycle does not creep. Gradually release the clutch lever and open the throttle. The motorcycle should begin to move smoothly and accelerate gradually.

NOTE:

- If proper adjustment cannot be obtained or the clutch does not work correctly, see your authorized Honda dealer.

Other Checks:

Check the clutch cable for kinks or signs of wear that could cause sticking or failure. Lubricate the clutch cable with a commercially available cable lubricant to prevent premature wear and corrosion.



- (4) Lock nut
- (5) Adjusting nut

- (A) Increase free play
- (B) Decrease free play

maintain the
eg, overheating,
ly high quality
reeze containing
hibitors specifically
in aluminum engines.
CONTAINER LABEL).

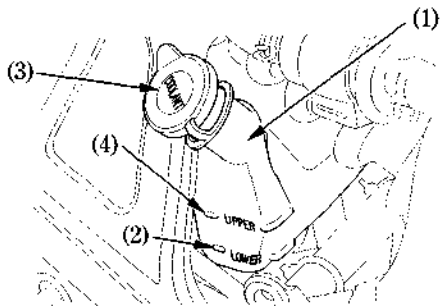
**mineral drinking water
water as a part of the
olution. Water that is high
d content or salt may be
to the aluminum engine.**

The factory provides a 50/50 solution of antifreeze and distilled water in this motorcycle. This coolant solution is recommended for most operating temperatures and provides good corrosion protection. A higher concentration of antifreeze decreases the cooling system performance and is recommended only when additional protection against freezing is needed. A concentration of less than 40/60 (40% antifreeze) will not provide proper corrosion protection. During freezing temperatures, check the cooling system frequently and add higher concentrations of antifreeze (up to a maximum of 60% antifreeze) if required.

Inspection

The reserve tank is behind the left side cover.

Check the coolant level in the reserve tank (1) while the engine is at the normal operating temperature with the motorcycle in an upright position. If the coolant level is below the LOWER level mark (2), remove the left side cover (page 40) and the reserve tank cap (3). Add coolant mixture until it reaches the UPPER level mark (4). Do not remove the radiator cap.



- | | |
|----------------------|----------------------|
| (1) Reserve tank | (3) Reserve tank cap |
| (2) LOWER level mark | (4) UPPER level mark |

▲WARNING

- * Do not remove the radiator cap when the engine is hot. The coolant is under pressure and could scald you.**
- * Keep hands and clothing away from the cooling fan, as it starts automatically.**

If the reserve tank is empty, or if coolant loss is excessive, check for leaks and see your authorized Honda dealer for repair.

FUEL

Manual Fuel Cock

The manual fuel cock (1) is under the left side of the fuel tank. Set it to ON for normal operation or RES when you start to run out of the main fuel supply. The OFF setting is only for long term storage or servicing of fuel system components.

Automatic Fuel ON-OFF

With the fuel cock set to ON (or RES) fuel flows to the carburetors only when the engine is being started or is running. A diaphragm shuts off fuel flow when the engine is turned off.

Reserve Fuel

When the main fuel supply is gone, turn the fuel cock to RES. Refill the tank as soon as possible after switching to RES, then switch the cock back to ON.

The reserve fuel supply is:

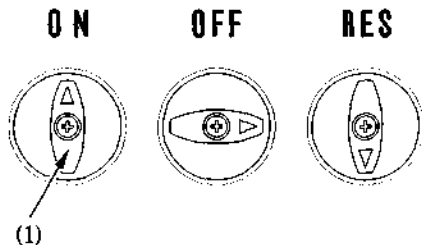
2.5 l (0.66 US gal , 0.55 Imp gal)

⚠WARNING

- * To avoid running out of fuel that may result in a sudden stop, learn how to operate the fuel cock when riding the motorcycle.

NOTE:

- * Remember to check that the fuel cock is in the ON position each time you refuel. If the cock is left in the RES position, you may run out of fuel with no reserve.



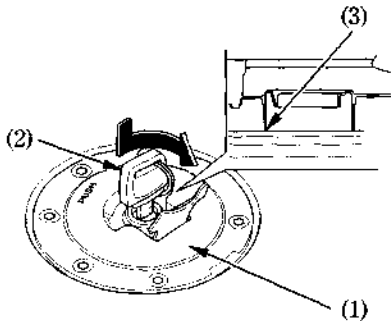
(1) Fuel cock

Fuel Tank

The fuel tank capacity including the reserve supply is:

19.0 l (5.02 US gal , 4.18 Imp gal)

To open the fuel fill cap (1), insert the ignition key (2) and turn it clockwise. The fuel fill cap is hinged and will lift up.



(1) Fuel fill cap

(2) Ignition key

26

(3) Filler neck

After refueling, to close the fuel fill cap, push the fuel fill cap into the filler neck until it snaps closed and locks. Remove the key.

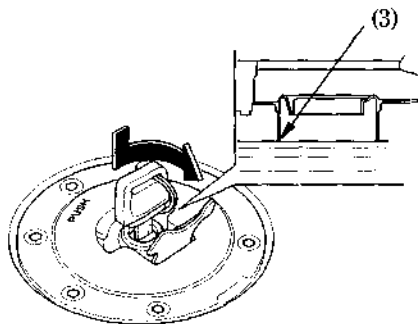
Use unleaded or low-lead petrol with a research octane number of 91 or higher. We recommend that you use unleaded petrol because it produces fewer engine and spark plug deposits and extends the life of exhaust system components.

CAUTION:

* If “spark knock” or “pinking” occurs at a steady engine speed under normal load, change brands of petrol. If spark knock or pinking persists, consult your authorized Honda dealer. Failure to do so is considered misuse, and damage caused by misuse is not covered by Honda’s Limited Warranty.

▲WARNING

- * Petrol is extremely flammable and is explosive under certain conditions. Refuel in a well-ventilated area with the engine stopped. Do not smoke or allow flames or sparks in the area where petrol is stored or where the fuel tank is refueled.
- * Do not overfill the tank (there should be no fuel in the filler neck (3)). After refueling, make sure the fuel fill cap is closed securely.
- * Be careful not to spill fuel when refueling. Spilled fuel or fuel vapor may ignite. If any fuel is spilled, make sure the area is dry before starting the engine.
- * Avoid repeated or prolonged contact with skin or breathing of vapor. **KEEP OUT OF REACH OF CHILDREN.**



(3) Filler neck

Petrol Containing Alcohol

If you decide to use a petrol containing alcohol (gasohol), be sure it's octane rating is at least as high as that recommended by Honda. There are two types of "gasohol": one containing ethanol, and the other containing methanol. Do not use petrol that contains more than 10% ethanol. Do not use petrol containing methanol (methyl or wood alcohol) that does not also contain cosolvents and corrosion inhibitors for methanol. Never use petrol containing more than 5% methanol, even if it has cosolvents and corrosion inhibitors.

NOTE:

- * Fuel system damage or engine performance problems resulting from the use of fuels that contain alcohol is not covered under the warranty. Honda cannot endorse the use of fuels containing methanol since evidence of their suitability is as yet incomplete.
- * Before buying fuel from an unfamiliar station, try to find out if the fuel contains alcohol. If it does, confirm the type and percentage of alcohol used. If you notice any undesirable operating symptoms while using a petrol that contains alcohol, or one that you think contains alcohol, switch to a petrol that you know does not contain alcohol.

ENGINE OIL

Engine Oil Level Check

Check the engine oil level each day before riding the motorcycle.

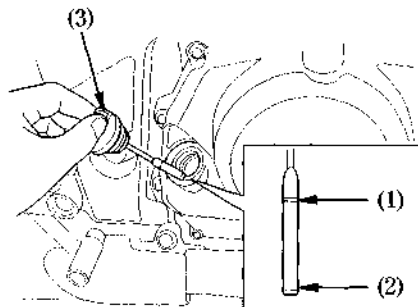
The level must be maintained between the upper (1) and lower (2) level marks on the dipstick (3).

1. Start the engine and let it idle for a few minutes. Make sure the low oil pressure indicator goes off. If the light remains on, stop the engine immediately.
2. Stop the engine and hold the motorcycle in an upright position on firm, level ground.
3. After a few minutes, remove the oil filler cap/dipstick, wipe it clean, and reinsert the dipstick without screwing it in. Remove the dipstick. The oil level should be between the upper and lower marks on the dipstick.
4. If required, add the specified oil (see page 58) up to the upper level mark. Do not overfill.

5. Reinstall the oil filler cap/dipstick. Check for oil leaks.

CAUTION:

*** Running the engine with insufficient oil pressure may cause serious engine damage.**



- (1) Upper level mark
- (2) Lower level mark
- (3) Oil filler cap/dipstick

FINAL DRIVE OIL

Oil Level Check

Check the final drive oil level when specified by the maintenance schedule (page 53).

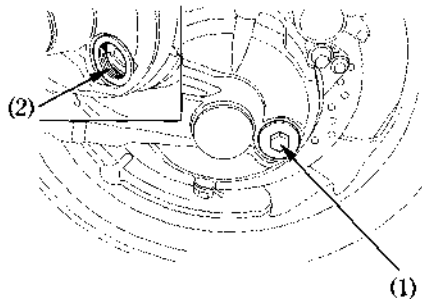
1. Hold the motorcycle in an upright position on firm, level ground.
2. Remove the oil filler cap (1).
3. Check that the oil level reaches the lower edge of the oil cap hole.

NOTE:

- * If the level is low, check for leaks. Pour fresh oil through the oil filler hole until it reaches the lower edge of the opening.

Recommended Oil:

HYPOID GEAR OIL SAE 80



(1) Oil filler cap

(2) Oli cap hole

TUBELESS TYRES

This motorcycle is equipped with tubeless tyres, valves, and wheel rims. Use only tyres marked "TUBELESS" and tubeless valves on rims marked "TUBELESS TYRE APPLICABLE."

Proper air pressure will provide maximum stability, riding comfort and tyre life. Check tyre pressure frequently and adjust if necessary.

NOTE:

- * Tyre pressure should be checked before you ride while the tyres are "cold".
- * Tubeless tyres have some degree of selfsealing ability if they are punctured, and leakage is often very slow. Inspect very closely for punctures, especially if the tyre is not fully inflated.

Tyre size	
Front	110/80 - 17 57H
Rear	150/70 - 17 69H
Cold tyre pressures kPa (kg/cm ² , psi)	Driver only
	Front 225 (2.25 , 33)
	Rear 225 (2.25 , 33)
	Driver and one passenger
Front 225 (2.25 , 33)	
Rear 280 (2.80 , 41)	
Tyre brand TUBELESS ONLY	METZELER
	Front ME33
	Rear ME55A
	BRIDGESTONE
	Front G547G
	Rear G548
DUNLOP	
Front K505G	
Rear K505	

Check the tyres for cuts, embedded nails or other sharp objects. Check the rims for dents or deformation. If there is any damage, see your authorized Honda dealer for repair, replacement, and balancing.

▲WARNING

- * **Improper tyre inflation will cause abnormal tread wear and create a safety hazard. Underinflation may result in the tyre slipping on, or coming off of the rim causing tyre deflation that may result in a loss of vehicle control.**
- * **Operation with excessively worn tyres is hazardous and will adversely affect traction and handling.**

Replace tyres before tread depth at the center of the tyre reaches the following limit:

Minimum tread depth	
Front:	1.5 mm (0.06 in)
Rear:	2.0 mm (0.08 in)

NOTE: < For Germany >

- * German law prohibits use of tyres whose tread depth is less than 1.6 mm.

Tyre Repair/Replacement:

See your authorized Honda Dealer.

▲WARNING

- * The use of tyres other than those listed on the tyre information label may adversely affect handling.
- * Do not install tube-type tyres on tubeless rims. The beads may not seat and the tyres could slip on the rims, causing tyre deflation that may result in a loss of vehicle control.
- * Do not install a tube inside a tubeless tyre. Excessive heat build-up may cause the tube to burst resulting in rapid tyre deflation that may result in a loss of vehicle control.
- * Replace the tyre if the sidewall is punctured or damaged. Sidewall flexing may cause repair failure and tyre deflation that may result in a loss of vehicle control.

▲WARNING

- * Proper wheel balance is necessary for safe, stable handling of the motorcycle. Do not remove or change any wheel balance weights. When wheel balancing is required, see your authorized Honda dealer. Wheel balancing is required after tyre repair or replacement.
- * To avoid possible repair failure and tyre deflation that may result in a loss of vehicle control, do not exceed 80 km/h (50 mph) for the first 24 hours, or 130 km/h (80 mph) at any time, after tyre repair.

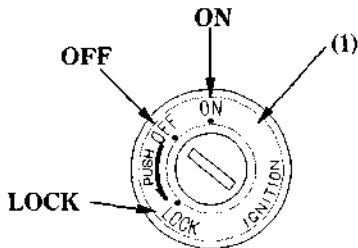
CAUTION:

- * Do not try to remove tubeless tyres without special tools and rim protectors. You may damage the rim sealing surface or disfigure the rim.

ESSENTIAL INDIVIDUAL COMPONENTS

IGNITION SWITCH

The ignition switch (1) is below the indicator panel.

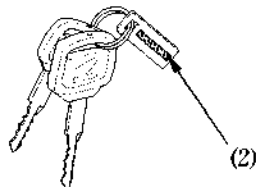


(1) Ignition switch

< G, IIG, IIIIG, H only >

You should received a key number plate with your key.

You will need this key number if you ever have to replace a lost key. Store this plate in a safe place.






(2) Key number plate

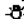


Key Position	Function	Key Removal
LOCK (steering lock)	Steering is locked. Engine and lights cannot be operated.	Key can be removed
OFF	Engine and lights cannot be operated.	Key can be removed
ON	Engine and lights can be operated.	Key cannot be removed


RIGHT HANDLEBAR CONTROLS


Engine Stop Switch

The engine stop switch (1) is next to the throttle grip. When the switch is in the  (RUN) position, the engine will operate. When the switch is in the  (OFF) position, the engine will not operate. This switch is intended primarily as a safety or emergency switch and should normally remain in the  (RUN) position.

Headlight Switch

The headlight switch (2) has three positions; ,  and OFF marked by a dot to the right of .


 : Headlight, taillight, position light and meter lights on.

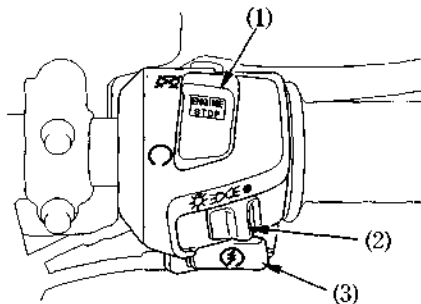
 : Position light, taillight and meter light on.

OFF(dot) : Headlight, taillight, position light and meter lights off.

Starter Button

The starter button (3) is below the headlight switch (2).

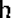

When the starter button is pressed, the starter motor cranks the engine. If the engine stop switch is in the  (OFF) position, the starter motor will not operate. See page 43 for the starting procedure.



- (1) Engine stop switch
- (2) Headlight switch
- (3) Starter button

LEFT HANDLEBAR CONTROLS

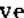

Headlight Dimmer Switch (1)

Push the dimmer switch to  (HI) to select high beam or to  (LO) to select low beam.

Passing Light Control Switch (2)

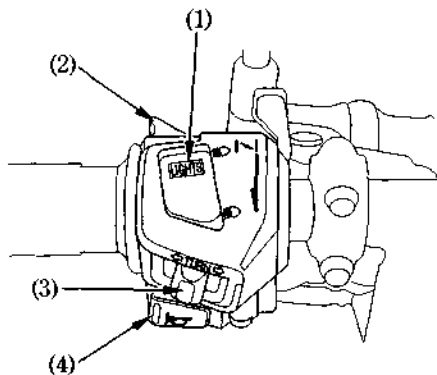
When this switch is pressed, the headlight flashes on to signal approaching cars or when passing.

Turn Signal Switch (3)

Move to  (L) to signal a left turn.  (R) to signal a right turn. Press to turn signal off.

Horn Button (4)

Press the button to sound the horn.



- (1) Headlight dimmer switch
- (2) Passing light control switch
- (3) Turn signal switch
- (4) Horn button

FEATURES

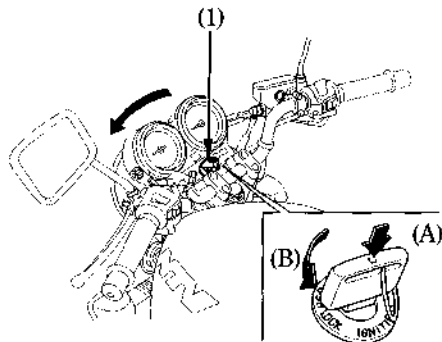
(Not required for operation)

STEERING LOCK

To lock the steering, turn the handlebars all the way to the left or right, turn the key (1) to LOCK while pushing in. Remove the key.

⚠ WARNING

* Do not turn the key to LOCK while riding the motorcycle; loss of vehicle control will result.



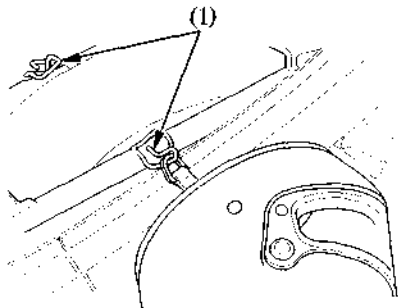
(1) Ignition key

(A) Push in

(B) Turn to LOCK

HELMET HOLDER

The helmet holders are located below the seat. Remove the seat (see page 39). Hang the helmets on the holder hooks (1). Install the seat and lock it securely.



(1) Holder hooks

▲ WARNING

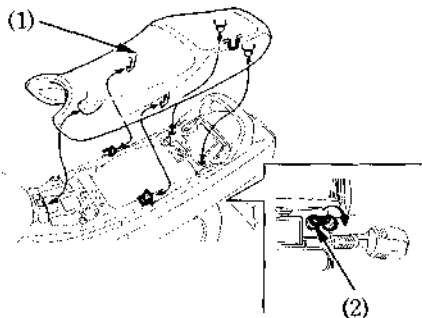
- * **The helmet holder is designed for helmet security while parked. Do not ride with a helmet attached to the holder; the helmet may interfere with safe operation and result in loss of control.**

SEAT

To remove the seat (1), insert the ignition key into the seat lock (2) and turn it clockwise. Pull the seat back and up. To install the seat, insert the prong into the recess under the frame cross member and then push down on the rear of the seat.

CAUTION:

* **Be sure the seat is locked securely in position after installation.**



(1) Seat

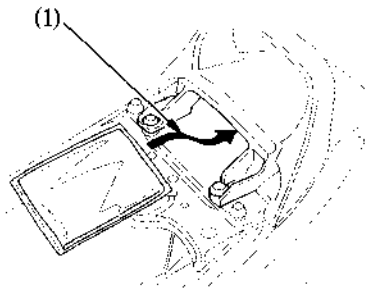
(2) Seat lock

DOCUMENT COMPARTMENT

The document compartment (1) is under the seat.

This owner's manual and other documents should be stored in this compartment.

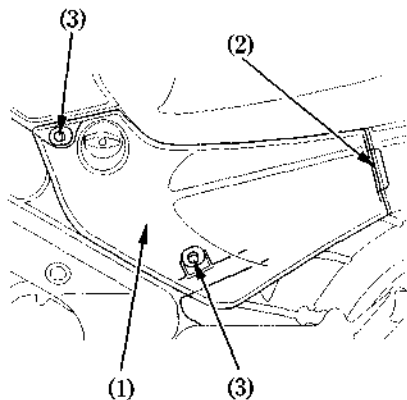
When washing your motorcycle, be careful not to flood this area with water.



(1) Document compartment

SIDE COVER

To remove the right and left side covers (1), pull out the prongs (3) and then gently pull the side cover forward to release the tab (2).



(1) Side cover
(2) Tab

(3) Prongs

OPERATION

PRE-RIDE INSPECTION

▲WARNING

*** If the Pre-ride Inspection is not performed, severe personal injury or vehicle damage may result.**

Inspect your motorcycle every day before you ride it. The items listed here will only take a few minutes to inspect, and in the long run they can save time, expense, and possibly your life.

1. Engine oil level—add engine oil if required (page 29). Check for leaks.
2. Fuel level—fill fuel tank when necessary (page 26). Check for leaks.
3. Coolant level—add coolant if required. Check for leaks (pages 22–24).
4. Front and rear brakes—check operation; make sure there is no brake fluid leakage (pages 17–19).
5. Tyres—check condition and pressure (pages 31–33).

6. Throttle—check for smooth opening and full closing in all steering positions.
7. Lights and horn—check that headlight, tail/brake light, turn signals, indicators and horn function properly.
8. Engine stop switch—check for proper function (page 35).
9. Side stand ignition cut-off system—check for proper function (page 76).

Correct any discrepancy before you ride. Contact your authorized Honda dealer for assistance if you cannot correct the problem.

STARTING THE ENGINE

Always follow the proper starting procedure described below.

This motorcycle is equipped with a side stand ignition cut-off system. The engine cannot be started if the side stand is down, unless the transmission is in neutral. If the side stand is up, the engine can be started in neutral or in gear with the clutch lever pulled in. After starting with the side stand down, the engine will shut off if the transmission is put in gear before raising the side stand.

▲WARNING


- * **Never run the engine in an enclosed area. The exhaust contains poisonous carbon monoxide gas that can cause loss of consciousness and lead to death.**

NOTE:

- * Do not use the electric starter for more than 5 seconds at a time. Release the starter button for approximately 10 seconds before pressing it again.

Preparation

Before starting, insert the key, turn the ignition switch ON and confirm the following:

- The transmission is in NEUTRAL (neutral indicator light ON).
- The engine stop switch is at  (RUN).
- The red low oil pressure indicator is ON.

Starting Procedure

To restart a warm engine, follow the procedure for "High Air Temperature."

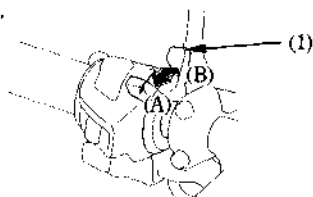
Normal Air Temperature

$10^{\circ} - 35^{\circ}\text{C}$ ($50^{\circ} - 95^{\circ}\text{F}$)

1. Pull the choke lever (1) back all the way to Fully ON (A), if the engine is cold.
2. Start the engine, leaving the throttle closed.

NOTE:

* Do not open the throttle when starting the engine with the choke ON. This will lean the mixture, resulting in hard starting.



(1) Choke lever

(A) Fully ON

(B) Fully OFF

3. Immediately after the engine starts, operate the choke lever (1) to keep fast idle at:

$2,000 - 3,000 \text{ min}^{-1}$ (rpm)

4. About a half minute after the engine starts, push the choke lever (1) forward all the way to Fully OFF (B).
5. If idling is unstable, open the throttle slightly.

CAUTION:

* The red low oil pressure indicator should go off a few seconds after the engine starts. If the light stays on, stop the engine immediately and check engine oil level. Operating the engine with insufficient oil pressure can cause serious engine damage.

High Air Temperature

35°C (95°F) or above

1. Do not use the choke.
2. Open the throttle slightly.
3. Start the engine.

Low Air Temperature

10°C (50°F) or below

1. Follow steps 1 – 2 under “Normal Air Temperature.”
2. When engine speed begins to pick up, operate the choke lever to keep fast idle at:
 $2,000 - 3,000 \text{ min}^{-1} (\text{rpm})$
3. Continue warming up the engine until it runs smoothly and responds to the throttle when the choke lever (1) is at Fully OFF (B).

Flooded Engine

If the engine fails to start after repeated attempts, it may be flooded with excess fuel. To clear a flooded engine, leave the engine stop switch on \bigcirc (RUN) and push the choke lever forward to Fully OFF (B). Open the throttle fully and crank the engine for 5 seconds. If the engine starts, quickly close the throttle, then open it slightly if idling is unstable. If the engine does not start, wait 10 seconds, then follow the Starting Procedure.

RUNNING-IN

During initial running-in newly machined surfaces will be in contact with each other and these surfaces will wear in quickly. Running-in maintenance at 1,000 km (600 miles) is designed to compensate for this initial minor wear. Timely performance of the running-in maintenance will ensure optimum service life and performance from the engine.

The general rules as follows:

1. Never labour the engine with full throttle at low engine speeds. This rule is applicable not only during running-in but at all times.
2. Maximum continuous engine speed during the first 1,000 km (600 miles) must not exceed 4,000 min^{-1} (rpm).
3. Increase the maximum continuous engine speed by 2,000 min^{-1} (rpm) between odometer readings of 1,000 km (600 miles) and 1,600 km (1,000 miles). Drive briskly, vary speeds frequently and use full throttle for short bursts only. Do not exceed 6,000 min^{-1} (rpm).

4. Upon reaching an odometer reading of 1,600 km (1,000 miles), you can subject the motorcycle to full throttle operation. However, do not exceed 8,500 min^{-1} (rpm) – indicated by the beginning of the tachometer red zone. (Do not let the tachometer needle enter the red zone.)

CAUTION:

- * **Running the engine beyond recommended maximum engine speed (the beginning of the tachometer red zone) can damage the engine.**

RIDING

▲WARNING

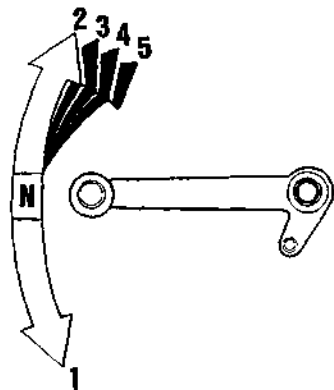
- * Review **Motorcycle Safety (pages 1 – 5)** before you ride.

NOTE:

- * Make sure you understand the function of the side stand mechanism. (See **MAINTENANCE SCHEDULE** on page 52 and explanation for **SIDE STAND** on page 76)

1. After the engine has been warmed up, the motorcycle is ready for riding.
2. While the engine is idling, pull in the clutch lever and depress the gearshift pedal to shift into 1st (low) gear.
3. Slowly release the clutch lever and at the same time gradually increase engine speed by opening the throttle. Coordination of the throttle and clutch lever will assure a smooth positive start.
4. When the motorcycle attains a moderate speed, close the throttle, pull in the clutch lever and shift to 2nd gear by raising the gearshift pedal. This sequence is repeated to progressively shift to 3rd, 4th and 5th (top) gears.

5. Coordinate the throttle and brakes for smooth deceleration.
6. Both front and rear brakes should be used at the same time and should not be applied strongly enough to lock the wheel, or braking effectiveness will be reduced and control of the motorcycle be difficult.



▲WARNING

- * Do not downshift when traveling at a speed that would force the engine to overrev in the next lower gear; the rear wheel may lose traction, resulting in a possible loss of vehicle control.

CAUTION:

- * Do not shift gears without disengaging the clutch and closing the throttle. The engine and drive train could be damaged by overspeed and shock.
- * Do not tow the motorcycle or coast for long distances while the engine is off. The transmission will not be properly lubricated and damage may result.
- * Do not ride over a curb or rub the wheel against an obstacle, as wheel damage may result.

NOTE:

- * The battery will not charge while the engine speed is near idle speed. Avoid idling for prolonged periods.

BRAKING

1. For normal braking, gradually apply both the front and rear brakes while downshifting to suit your road speed.
2. For maximum deceleration, close the throttle and apply the front and rear brakes firmly. Pull in the clutch lever before coming to a complete stop to prevent stalling the engine.

▲WARNING

- * **Independent use of only the front or rear brake reduces stopping performance. Extreme braking may cause either wheel to lock, reducing control of the motorcycle.**
- * **When possible, reduce speed or brake before entering a turn; closing the throttle or braking in mid-turn may cause wheel slip. Wheel slip will reduce control of the motorcycle.**

▲WARNING

- * **When riding in wet or rainy conditions, or on loose surfaces, the ability to maneuver and stop will be reduced. All of your actions should be smooth under these conditions. Rapid acceleration, braking or turning may cause loss of control. For your safety, exercise extreme caution when braking, accelerating or turning.**
- * **When descending a long, steep grade, use engine compression braking by downshifting, with intermittent use of both brakes. Continuous brake application can overheat the brakes and reduce their effectiveness.**
- * **Riding with your foot resting on the brake pedal or your hands on the brake lever may actuate the brakelight, giving a false indication to other drivers. It may also overheat the brake, reducing effectiveness.**

PARKING

1. After stopping the motorcycle, shift the transmission into neutral, turn the fuel cock OFF, turn the handlebar fully to the left, turn the ignition switch OFF and remove the key.
2. Use the side stand to support the motorcycle while parked.

CAUTION:

- * **Park the motorcycle on firm, level ground to prevent it from falling over.**
 - * **If you must park on a slight incline, aim the front of the motorcycle uphill to reduce the possibility of rolling off the side stand or overturning.**
3. Lock the steering to help prevent theft (page 37).

ANTI-THEFT TIPS

1. Always lock the steering and never leave the key in the ignition switch. This sounds simple but people do forget.
2. Be sure the registration information for your motorcycle is accurate and current.
3. Park your motorcycle in a locked garage whenever possible.
4. Use an additional anti-theft device of good quality.
5. Put your name, address, and phone number in this Owner's Manual and keep it on your motorcycles at all times. Many times stolen motorcycles are identified by information in the Owner's Manuals that are still with them.

NAME : _____

ADDRESS : _____

PHONE NO : _____

MAINTENANCE

- The Required Maintenance Schedule specifies how often you should have your motorcycle served, and what things need attention. It is essential that your motorcycle be served as scheduled to retain its high level of safety, dependability, and emission control performance.
- These instructions are based on the assumption that the motorcycle will be used exclusively for its designed purpose. Sustained high speed operation, or operation in unusually wet or dusty conditions, will require more frequent service than specified in the MAINTENANCE SCHEDULE. Consult your authorized Honda dealer for recommendations applicable to your individual needs and use.

MAINTENANCE SCHEDULE

Perform the Pre-ride Inspection (page 41) at each scheduled maintenance period.
 I: INSPECT AND CLEAN, ADJUST, LUBRICATE OR REPLACE IF NECESSARY
 C: CLEAN R: REPLACE A: ADJUST L: LUBRICATE

The following Maintenance Schedule specifies all maintenance required to keep your motorcycle in peak operating condition. Maintenance work should be performed in accordance with standards and specifications of Honda by properly trained and equipped technicians. Your authorized Honda dealer meets all of these requirements.

ITEM	FREQUENCY	WHICHEVER → COMES FIRST	ODOMETER READING [NOTE (1)]								REFER TO PAGE
			x 1,000 km	1	6	12	18	24	30	36	
			x 1,000 mi	0.6	4	8	12	16	20	24	
		NOTE	MONTH	6	12	18	24	30	36		
* FUEL LINE					I		I		I	-	
* THROTTLE OPERATION						I		I	I	65	
* CARBURETOR CHOKE						I		I	I	-	
* AIR CLEANER	(NOTE 2)						R		R	-	
CRANKCASE BREATHER	(NOTE 3)				C	C	C	C	C	62	
SPARK PLUG					I	R	I	R	I	63-64	
* VALVE CLEARANCE				I		I		I	I	-	
ENGINE OIL				R		R		R	R	58-61	
ENGINE OIL FILTER				R		R		R	R	59-61	
* CARBURETOR SYNCHRONIZATION				I		I		I	I	-	
* ENGINE IDLE SPEED				I	I	I	I	I	I	66	
RADIATOR COOLANT	(NOTE 4)					I		I	R	22-24	
* COOLING SYSTEM						I		I	I	-	
* SECONDARY AIR SUPPLY SYSTEM	(NOTE 5)					I		I	I	-	

ITEM	FREQUENCY	WHICHEVER → COMES FIRST	ODOMETER READING [NOTE (1)]								REFER TO PAGE
			x 1,000 km	1	6	12	18	24	30	36	
			x 1,000 mi	0.6	4	8	12	16	20	24	
NOTE	MONTH		6	12	18	24	30	36			
FINAL DRIVE OIL					I				R	67	
BRAKE FLUID		(NOTE 4)			I		R		I	17-19	
BRAKE PADS WEAR				I	I	I	I	I	I	74-75	
BRAKE SYSTEM			I		I		I		I	17-19	
* BRAKE LIGHT SWITCH					I		I		I	82	
* HEADLIGHT AIM					I		I		I	-	
CLUTCH SYSTEM			I	I	I	I	I	I	I	20-21	
SIDE STAND					I		I		I	76	
* SUSPENSION					I		I		I	-	
* NUTS, BOLTS, FASTENERS			I		I		I		I	-	
** WHEELS/TYRES					I		I		I	-	
** STEERING HEAD BEARINGS			I		I		I		I	-	

- * SHOULD BE SERVICED BY YOUR AUTHORIZED HONDA DEALER, UNLESS THE OWNER HAS PROPER TOOLS AND SERVICE DATA AND IS MECHANICALLY QUALIFIED. REFER TO THE OFFICIAL HONDA SHOP MANUAL.
- ** IN THE INTEREST OF SAFETY, WE RECOMMEND THESE ITEMS BE SERVICED ONLY BY YOUR AUTHORIZED HONDA DEALER.

Honda recommends that your authorized Honda dealer should road test your motorcycle after each periodic maintenance is carried out.

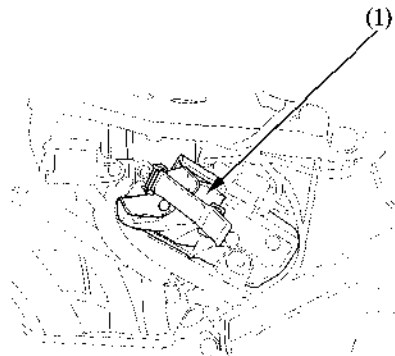
- NOTES:
- (1) At higher odometer readings, repeat at the frequency interval established here.
 - (2) Service more frequently when riding in unusually wet or dusty areas.
 - (3) Service more frequently when riding in rain or at full throttle.
 - (4) Replace every 2 years, or at indicated odometer interval, whichever comes first. Replacement requires mechanical skill.
 - (5) Switzerland type only.

TOOL KIT

The tool kit (1) is in the tool box behind the right side cover (page 40).

Some roadside repairs, minor adjustments and parts replacement can be performed with the tools contained in the kit.

- 10 x 12 mm open end wrench
- 14 x 17 mm open end wrench
- Pliers
- 6 mm hex wrench
- No. 2 screwdriver
- No. 2 Phillips screwdriver
- Screwdriver grip
- Screwdriver T-handle
- 17 mm box end wrench
- 10 x 12 mm box end wrench
- 22 mm box end wrench
- 27 mm box end wrench
- Breaker bar
- Spark plug wrench
- Tool bag



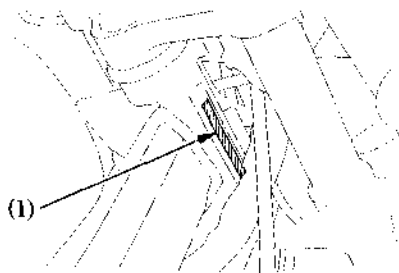
(1) Tool kit

SERIAL NUMBERS

The frame and engine serial numbers are required when registering your motorcycle. They may also be required by your dealer when ordering replacement parts.

Record the numbers here for your reference.

FRAME NO. _____



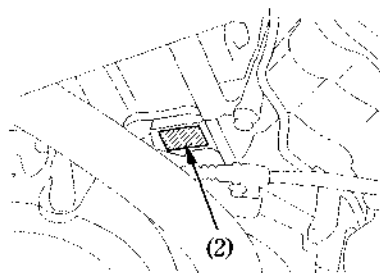
(1) Frame number

56

The frame number (1) is stamped on the right side of the steering.

The engine number (2) is stamped on the right side of the cylinder.

ENGINE NO. _____



(2) Engine number

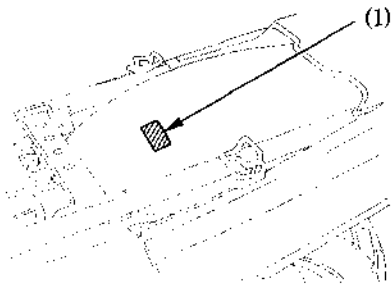
COLOUR LABEL

The colour label (1) is attached to the fender below the seat.

It is helpful when ordering replacement parts. Record the colour and code here for your reference.

COLOUR _____

CODE _____



(1) Colour label

MAINTENANCE PRECAUTIONS

▲WARNING

- * If your motorcycle is overturned or involved in a collision, inspect control levers, cables, brake hoses, calipers, accessories, and other vital parts for damage. Do not ride the motorcycle if damage impairs safe operation. Have your authorized Honda dealer inspect the major components, including frame, suspension and steering parts, for misalignment and damage that you may not be able to detect.
- * Stop the engine and support the motorcycle securely on a firm, level surface before performing any maintenance.
- * Use new, genuine Honda parts or their equivalent for maintenance and repair. Parts which are not of equivalent quality may impair the safety of your motorcycle.

ENGINE OIL

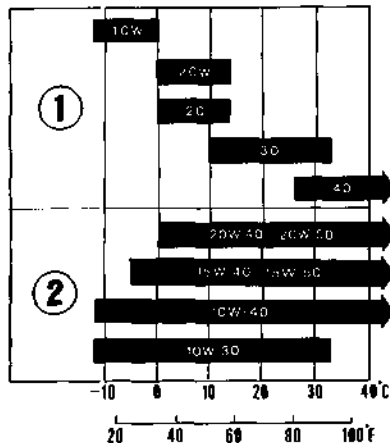
(Refer to the maintenance precautions on page 57).

Engine Oil

Good engine oil has many desirable qualities. Use only high detergent, quality motor oil certified on the container to meet or exceed requirements for API Service Classification SE, SF or SG.

Viscosity:

Viscosity grade of engine oil should be based on average atmospheric temperature in your riding area. The following provides a guide to the selection of the proper grade or viscosity of oil to be used at various atmospheric temperatures.



(1) Single grade

(2) Multigrade

Engine Oil and Filter

Engine oil quality is the chief factor affecting engine service life. Change the engine oil as specified in the maintenance schedule (page 52).

Changing the oil filter requires a special oil filter tool and a torque wrench. If you do not have these tools and the necessary skill, we recommend that you have your authorized Honda dealer perform this service. If a torque wrench is not used for this installation, see your authorized Honda dealer as soon as possible to verify proper assembly.

NOTE:

- * Change the engine oil with the engine at normal operating temperature and the motorcycle on its side stand to assure complete and rapid draining.

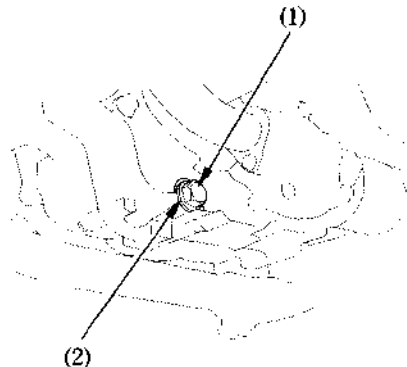
CAUTION:

- * To prevent oil leaks and filter damage, never support the engine on the oil filter.

1. To drain the oil, remove the oil filler cap and oil drain plug (1) and sealing washer (2).

▲WARNING

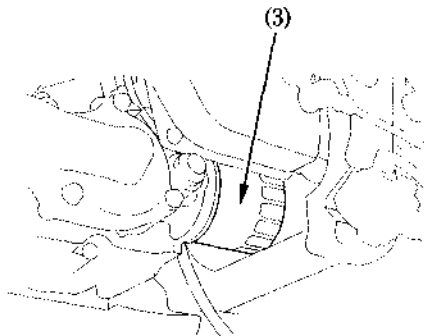
- * A warmed-up engine and the oil in it are hot; be careful not to burn yourself.



(1) Oil drain plug

(2) Sealing washer

2. Remove the oil filter (3) with a filter wrench and let the remaining oil drain out. Discard the oil filter.
3. Check that the new oil filter rubber seal is in good condition.

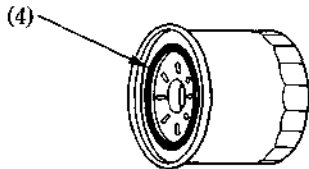


(3) Oil filter

4. Apply a thin coat of engine oil to the new oil filter rubber seal (4).
5. Using a special tool and a torque wrench, install the new oil filter and tighten to a torque of:

10 N·m (1.0 kgf·m , 7 lbf·ft)

Use only the Honda genuine oil filter or a filter of equivalent quality specified for your model. Using the wrong Honda filter or a non-Honda filter which is not of equivalent quality may cause engine damage.



(4) Oil filter rubber seal

6. Check that the sealing washer on the drain plug is in good condition and install the plug. Replace the sealing washer every other time the oil is changed, or each time if necessary.
Oil Drain Plug Torque:
34 N·m (3.5 kgf·m , 25 lbf·ft)
7. Fill the crankcase with the recommended grade oil; approximately:
2.6 ℓ (2.7 US qt , 2.3 Imp qt)
8. Install the oil filler cap.
9. Start the engine and let it idle for 2–3 minutes.
10. Stop the engine and check that the oil level is at the upper level mark on the dipstick with the motorcycle upright on firm, level ground. Make sure there are no oil leaks.

NOTE:

- * When running in very dusty conditions, oil changes should be performed more frequently than specified in the maintenance schedule.

NOTE:

- * Please dispose of used engine oil in a manner that is compatible with the environment. We suggest you take it in a sealed container to your local recycling center or service station for reclamation. Do not throw it in the rubbish or pour it on the ground or down a drain.

CAUTION:

- * **Used engine oil may cause skin cancer if repeatedly left in contact with the skin for prolonged periods. Although this is unlikely unless you handle used oil on a daily basis, it is still advisable to thoroughly wash your hands with soap and water as soon as possible after handling used oil.**

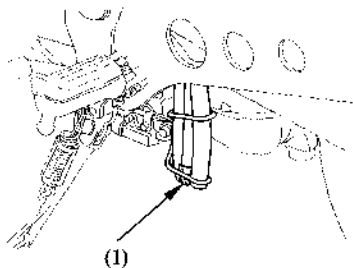
CRANKCASE BREATHER

(Refer to the maintenance precautions on page 57).

1. Remove the crankcase breather tube plug (1) from the tube and drain deposits into a suitable container.
2. Reinstall the crankcase breather tube plug.

NOTE:

- Service more frequently when riding in rain, at full throttle, or after the motorcycle is washed or overturned. Service if the deposit level can be seen in the transparent section of the drain tube.



(1) Crankcase breather tube plug

SPARK PLUGS

(Refer to the maintenance precautions on page 57).

Recommended plugs:

Standard:

DPR8EA-9 (NGK) or
X24EPR-U9 (DENSO)

For cold climate: (Below 5°C, 41°F)

DPR7EA-9 (NGK) or
X22EPR-U9 (DENSO)

For extended high speed riding:

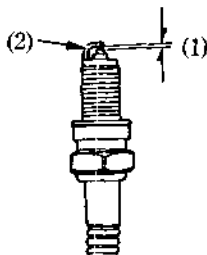
DPR9EA-9 (NGK) or
X27EPR-U9 (DENSO)

1. Disconnect the spark plug caps from the spark plugs.
2. Clean any dirt from around the spark plug bases. Remove the spark plugs using the plug wrench furnished in the tool kit.

3. Inspect the electrodes and center porcelain for deposits, erosion or carbon fouling. If the erosion or deposit is heavy, replace the plug. Clean a carbon or wet-fouled plug with a plug cleaner, otherwise use a wire brush.
4. Check the new spark plug gap (1) using a wire-type feeler gauge. If adjustment is necessary, bend the side electrode (2) carefully.

The gap should be:

0.80–0.90 mm (0.031–0.035 in)



(1) Spark plug gap

(2) Side electrode

5. With the plug washer attached, thread the new spark plug in by hand to prevent cross-threading.
6. Tighten a new spark plug 1/2 turn with a spark plug wrench to compress the washer. If you are reusing a plug, it should only take 1/8–1/4 turn after the plug seats.
7. Reinstall the spark plug caps.
8. Install the heat guard.

CAUTION:

- * The spark plug must be securely tightened. An improperly tightened plug can become very hot and possibly damage the engine.
- * Never use a spark plug with an improper heat range. Severe engine damage could result.

THROTTLE OPERATION

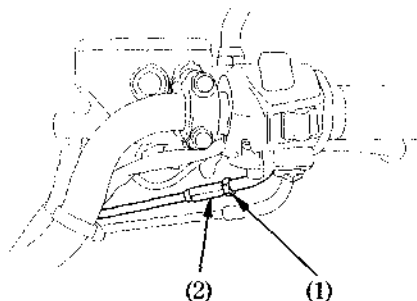
(Refer to the maintenance precautions on page 57).

1. Check for smooth rotation of the throttle grip from the fully open to the fully closed position at both full steering positions.

2. Measure the throttle grip free play at the throttle grip flange.

The standard free play should be approx:
2.0–6.0 mm (0.08–0.24 in)

To adjust the free play, loosen the lock nut (1) and turn the adjuster (2).



(1) Lock nut

(2) Adjuster

IDLE SPEED

(Refer to the maintenance precautions on page 57).

The engine must be at normal operating temperature for accurate idle speed adjustment. Ten minutes of stop-and-go riding is sufficient.

NOTE:

* Do not attempt to compensate for faults in other systems by adjusting idle speed. See your authorized Honda dealer for regularly scheduled carburetor adjustments, including individual carburetor adjustment and synchronization.

1. Warm up the engine, shift to neutral and place the motorcycle on its side stand.
2. Adjust idle speed with the throttle stop screw (1).

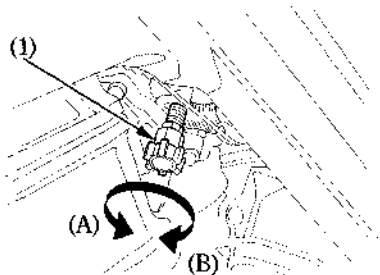
Idle Speed

ED, E, F, G, IIG, IIIG, SP, H type:

$1,200 \pm 100 \text{ min}^{-1} \text{ (rpm)}$ (In neutral)

SW type:

$1,200 \pm 50 \text{ min}^{-1} \text{ (rpm)}$ (In neutral)



(1) Throttle stop screw

(A) Increase

(B) Decrease

FINAL DRIVE OIL

(Refer to the maintenance precautions on page 57).

Change the oil as specified in the maintenance schedule.

NOTE:

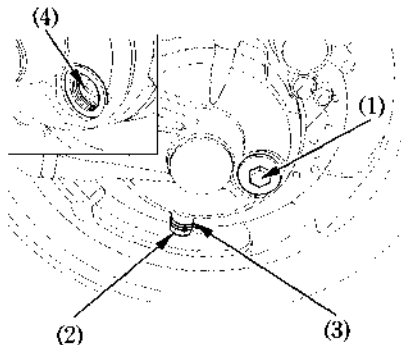
* Change the oil with the final drive at normal operating temperature and the motorcycle upright on level ground to assure complete and rapid draining.

1. To drain the oil, remove the oil filler cap (1) and drain plug (2).
2. After the oil has completely drained, check that the sealing washer (3) on the drain plug is in good condition and install the drain plug.

Drain Plug Torque:

12 N·m (1.2 kgf·m , 9 lbf·ft)

3. With the motorcycle upright on level ground, fill the final drive with the recommended grade oil; approximately:
110 cc (3.7 US oz , 3.9 Imp oz)
Make sure the final drive is filled up to the lower edge of the inspection hole (4) with the recommended oil.
4. Install the oil filler cap.



- | | |
|--------------------|---------------------|
| (1) Oil filler cap | (3) Sealing washer |
| (2) Oil drain plug | (4) Inspection hole |

WHEEL REMOVAL

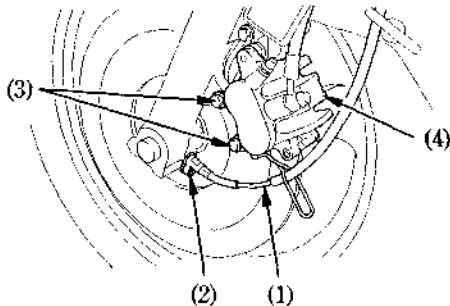
(Refer to the maintenance precautions on page 57).

NOTE:

* This motorcycle is equipped with a side stand only. Therefore, if front or rear wheel removal is required, it will be necessary to raise the center of the motorcycle with a jack or other firm support. If none is available, see your authorized Honda dealer for this service.

Front Wheel Removal

1. Raise the front wheel off the ground by placing a support block under the engine.
2. Disconnect the speedometer cable (1) by removing the speedometer cable set screw (2).
3. Remove the brake caliper mount bolts (3) and the brake caliper (4).

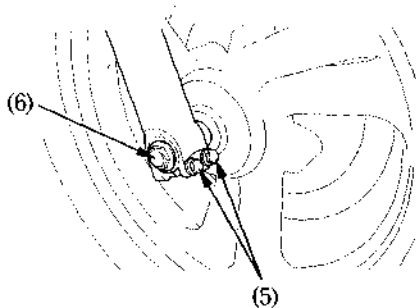


- (1) Speedometer cable
- (2) Speedometer cable set screw
- (3) Brake caliper mount bolts
- (4) Brake caliper

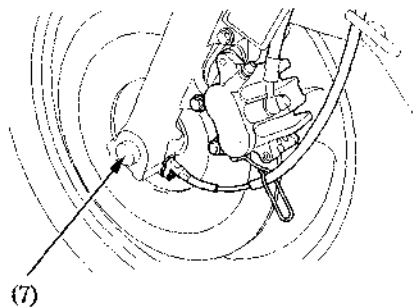
4. Loosen the right and left axle pinch bolts (5), and remove the axle bolt (6).
5. Pull out the front axle (7) and remove the front wheel.

NOTE:

* Do not depress the brake lever when the wheel is off the motorcycle. The caliper pistons will be forced out of the cylinders with subsequent loss of brake fluid. If this occurs, servicing of the brake system will be necessary. See your authorized Honda dealer for this service.



- (5) Axle pinch bolts
(6) Axle bolt



- (7) Front axle

Installation Notes:

- Make sure that the lug (8) on the fork leg is contacting the lug on the speedometer gear box. Tighten the axle bolt and axle pinch bolts to specified torques.

Axle bolt torque:

59 N·m (6.0 kgf·m , 43 lbf·ft)

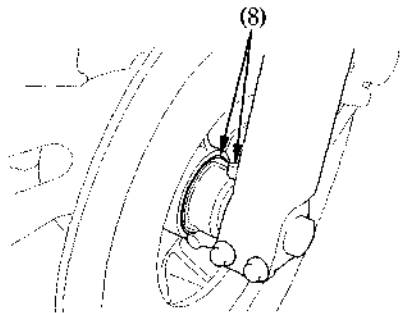
Axle pinch bolts torque:

22 N·m (2.2 kgf·m , 16 lbf·ft)

- Fit the caliper over the disc, taking care not to damage the brake pads. Install the caliper fixing bolts and tighten to a torque of:
30 N·m (3.1 kgf·m , 22 lbf·ft)
- Connect the speedometer cable with the set screw.
- After installing the wheel, apply the brake several times and then check if the wheel rotates freely. Recheck the wheel if the brake drags or if the wheel does not rotate freely.

▲WARNING

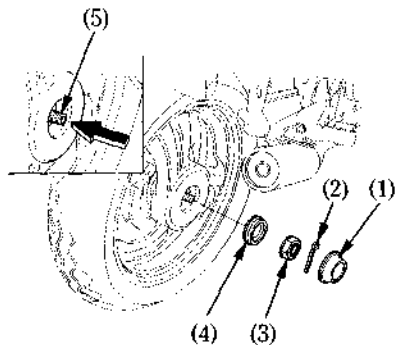
- If a torque wrench was not used for installation, see your authorized Honda dealer as soon as possible to verify proper assembly. Improper assembly may lead to loss of braking capacity.



(8) Lugs

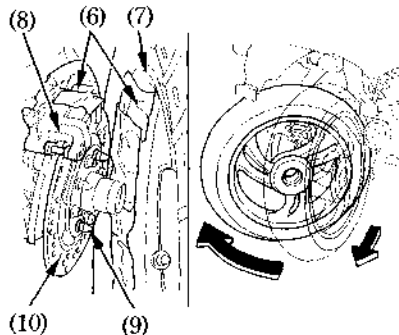
Rear Wheel Removal

1. Raise the rear wheel off the ground by placing a support block under the engine.
2. Remove the cap (1), cotter pin (2), axle nut (3), and then remove the axle center collar (4).
3. Push the axle (5) into the wheel hub.



- (1) Cap
- (2) Cotter pin
- (3) Axle nut
- (4) Axle center collar
- (5) Axle

4. Attach the tapes (6) to the wheel rim (7) and brake caliper (8) to avoid damaging the wheel.
5. Remove the wheel from the drive pins (9) and pull it backward to get between the brake disc (10) and muffler.
6. Swing the wheel to the left and pull it out backward as shown.



- (6) Tapes
- (7) Wheel rim
- (8) Brake caliper
- (9) Drive pins
- (10) Brake disc

Installation Note:

- Install the axle aligning the spline with the wheel hub.
- Coat the grease to the axle threads.
- Clean the wheel hub and wheel mating surface.
- Install the rear wheel and align the index marks (11) of wheel hub with the wheel.
- Install the new cotter pin and cap securely.
- Tighten and torque the axle nuts to the specification.

Axle nut torque:

118 N·m (12.0 kgf·m , 87 lbf·ft)

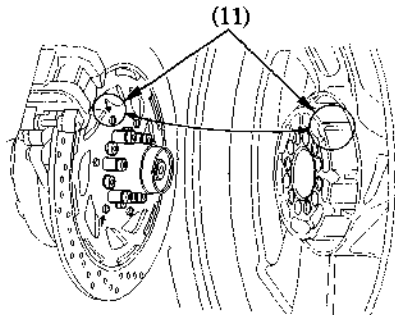
After installing the wheel, apply the brake several times and then check if the wheel rotates freely. Recheck the wheel if the brake drags or if the wheel does not rotate freely.

⚠ WARNING

- * If a torque wrench was not used for installation, see your authorized Honda dealer as soon as possible to verify proper assembly. Improper assembly may lead to loss of braking capacity.

CAUTION:

- * Always replace used cotter pins with new ones.



(11) Index marks

FRONT AND REAR SUSPENSION INSPECTION

(Refer to the maintenance precautions on page 57).

1. Check the fork assembly by locking the front brake and pumping the fork up and down vigorously. Suspension action should be smooth and there must be no oil leakage.
2. Swingarm bearings should be checked by pushing hard against the side of the rear wheel while the motorcycle is on a support block. Free play indicates worn bearings.
3. Carefully inspect all front and rear suspension fasteners for tightness.

BRAKE PAD WEAR

(Refer to the maintenance precautions on page 57).

Brake pad wear depends upon the severity of usage, the type of riding, and road conditions. (Generally, the pads will wear faster on wet and dirty roads.)

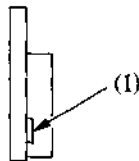
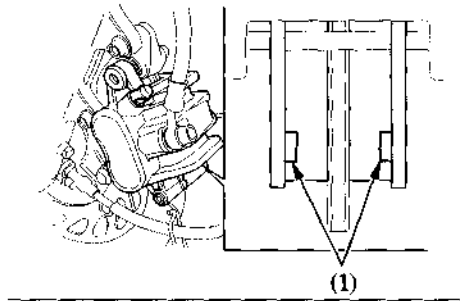
Inspect the pads at each regular maintenance interval (page 53).

Front Brake

Check the cutout (1) in each pad.

If either pad is worn to the cutout, replace both pads as a set. See your authorized Honda dealer for this service.

<FRONT BRAKE>



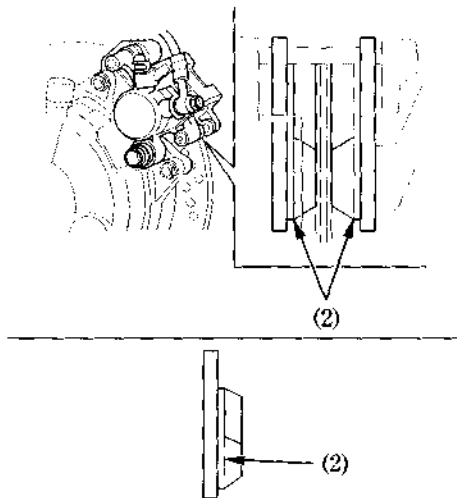
(1) Cutout

Rear Brake

Check the wear indicator mark (2) on each pad.

If either pad is worn to the wear indicator mark, replace both pads as a set. See your authorized Honda dealer for this service.

< REAR BRAKE >



(2) Wear indicator mark

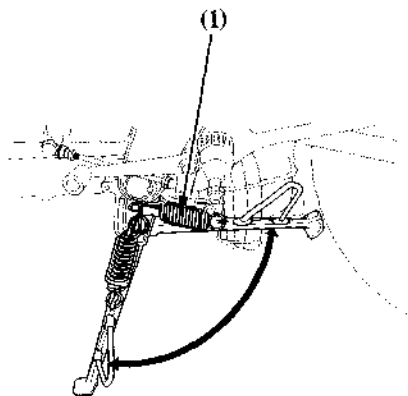
SIDE STAND

(Refer to the maintenance precautions on page 57).

Check the side stand system for proper function.

- Check the spring (1) for damage or loss of tension and the side stand assembly for freedom of movement.
- Check the side stand ignition cut-off system:
 1. Sit astride the motorcycle; put the side stand up and the transmission in neutral.
 2. Start the engine and with the clutch lever pulled in, shift the transmission into gear.
 3. Lower the side stand. The engine should stop as you put the side stand down.

If the side stand system does not operate as described, see your authorized Honda dealer for service.



(1) Spring

BATTERY

(Refer to the maintenance precautions on page 57).

It is not necessary to check the battery electrolyte level or add distilled water as the battery is a maintenance-free (sealed) type. If your battery seems weak and/or is leaking electrolyte (causing hard starting or other electrical troubles), contact your authorized Honda dealer.

CAUTION:

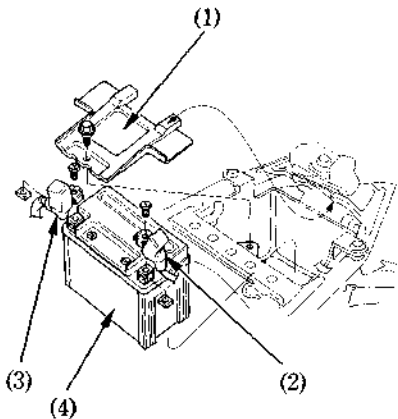
- * Removing the battery cap strip can damage the cap strip and result in leaks and eventual battery damage.
- * When the motorcycle is to be stored for an extended period of time, remove the battery from the motorcycle and charge it fully. Then store it in a cool, dry place. If the battery is to be left in the motorcycle, disconnect the negative cable from the battery terminal.

▲WARNING

- * The battery gives off explosive gases; keep sparks, flames, and cigarettes away. Provide adequate ventilation when charging or using the battery in an enclosed space.
- * The battery contains sulfuric acid (electrolyte). Contact with skin or eyes may cause severe burns. Wear protective clothing and a face shield.
 - If electrolyte gets on your skin, flush with water.
 - If electrolyte gets in your eyes, flush with water for at least 15 minutes and call a physician immediately.
- * Electrolyte is poisonous.
 - If swallowed, drink large quantities of water or milk and follow with milk of magnesia or vegetable oil and call a physician.
- * **KEEP OUT OF REACH OF CHILDREN.**

Battery Removal:

1. Remove the seat (page 39).
2. Remove the battery cover (1) by removing the mount bolts.
3. Disconnect the negative (-) terminal lead (2) from the battery first, then disconnect the positive (+) terminal lead (3).
4. Pull out the battery (4) from the battery box.



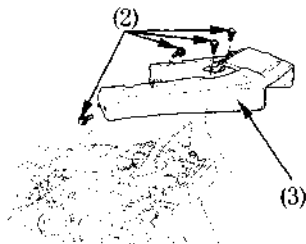
- (1) Battery cover
- (2) Negative (-) terminal lead
- (3) Positive (+) terminal lead
- (4) Battery

Main fuse:

The main fuse (1) is located behind the rear cowl. The specified fuse is:

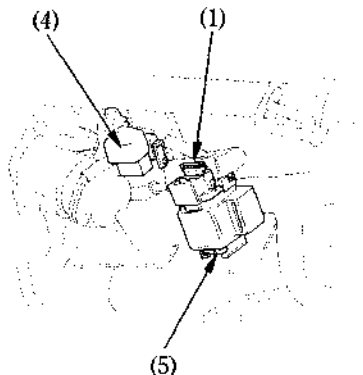
30A

1. Remove the seat (page 39).
2. Remove the four bolts (2) and remove the rear cowl (3).
3. Disconnect the wire connector (4) of the stater magnetic switch.
4. Pull out the old fuse and install a new fuse. The spare fuse (5) is located the starter magnetic switch holder.
5. Reconnect the connector and install the rear cowl and seat.



(2) Bolts

(3) Rear cowl



(1) Main fuse

(4) Wire connector

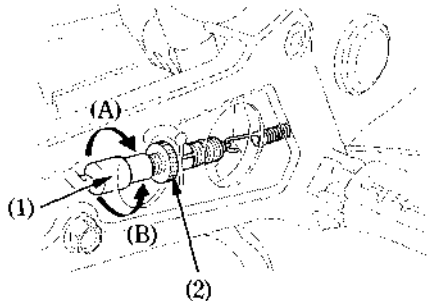
(5) Spare fuse

STOPLIGHT SWITCH ADJUSTMENT

(Refer to the maintenance precautions on page 57).

Check the operation of the stoplight switch (1) at the right side behind the engine from time to time.

Adjustment is done by turning the adjusting nut (2). Turn the nut in the direction (A) if the switch operates too late and in direction (B) if the switch operates too soon.



(1) Stoplight switch (2) Adjusting nut

FUSE REPLACEMENT

(Refer to the maintenance precautions on page 57).

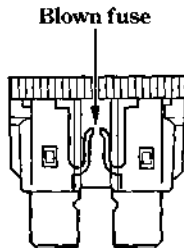
When frequent fuse failure occurs, it usually indicates a short circuit or an overload in the electrical system. See your authorized Honda dealer for repair.

CAUTION:

- * Turn the ignition switch OFF before checking or replacing fuses to prevent accidental short-circuiting.

WARNING

- * Never use a fuse with a different rating from that specified. Serious damage to the electrical system or a fire may result, causing a dangerous loss of lights or engine power.

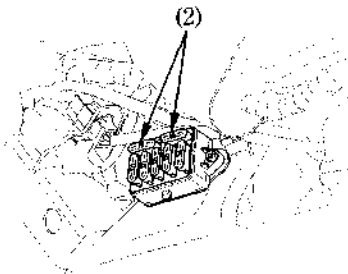
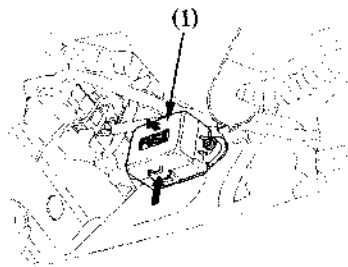


Fuse box:

The fuse box is located behind the right side cover. The specified fuse are:

10A, 15A

1. Remove the right side cover (page 40).
2. Remove the fuse box cover (1).
3. Pull out the old fuse and install a new fuse.
The spare fuses (2) are located in the fuse box.
4. Install the fuse box cover and install the right side cover.



(1) Fuse box cover

(2) Spare fuses

CLEANING

Clean your motorcycle regularly to protect the surface finishes and inspect for damage, wear, and oil, coolant or brake fluid leakage.

CAUTION:

* **High pressure water (or air) can damage certain parts of the motorcycle.**

Avoid spraying high pressure water (typical in coin-operated car washes) at the following areas:

Ignition Switch	Wheel Hubs
Carburetors	Muffler Outlet
Under Seat	Under Fuel Tank
Instruments	Handlebar Switches
Brake Master Cylinders	

1. After cleaning, rinse the motorcycle thoroughly with plenty of clean water. Strong detergent residue can corrode alloy parts.

NOTE:

- * Clean the plastic parts using a cloth or sponge dampened with a solution of mild detergent and water. Rub the soiled area gently rinsing it frequently with fresh water.
2. Dry the motorcycle, start the engine, and let it run for several minutes.
 3. Test the brakes before riding the motorcycle. Several applications may be necessary to restore normal braking performance.

▲WARNING

- * **Braking efficiency may be temporarily impaired immediately after washing the motorcycle. Anticipate longer stopping distance to avoid a possible accident.**

Painted Aluminum Wheel Maintenance

Aluminum may corrode from contact with dirt, mud, or road salt. Clean the wheels after riding through any of these substances. Use a wet sponge and mild detergent. Avoid stiff brushes, steel wool, or cleaners containing abrasives or chemical compounds.

After washing, rinse with plenty of water and dry with a clean cloth.

Apply touch-up paint to the wheels where damage has resulted.

STORAGE GUIDE

Extended storage, such as for winter, requires that you take certain steps to reduce the effects of deterioration from non-use of the motorcycle. In addition, necessary repairs should be made BEFORE storing the motorcycle; otherwise, these repairs may be forgotten by the time the motorcycle is removed from storage.

STORAGE

1. Change the engine oil and filter.
2. Make sure the cooling system is filled with a 50/50% antifreeze solution.
3. Empty the fuel tank into an approved petrol container using a commercially available hand siphon or an equivalent method. Spray the inside of the tank with an aerosol rust-inhibiting oil.
Reinstall the fuel fill cap on the tank.

NOTE:

- * If storage will last more than one month, carburetor draining is very important, to assure proper performance after storage.

▲WARNING

- * **Petrol is extremely flammable and is explosive under certain conditions. Perform this operation in a well-ventilated area with the engine stopped. Do not smoke or allow flames or sparks in the area where petrol is drained or stored and where the fuel tank is refueled.**

4. To prevent rusting in the cylinders, perform the following:
 - Remove the spark plug caps from the spark plugs. Using tape or string, secure the caps to any convenient plastic body part so that they are positioned away from the spark plugs.
 - Remove the spark plugs from the engine and store them in a safe place. Do not connect the spark plugs to the spark plug caps.
 - Pour a tablespoon (15–20 cc) of clean engine oil into each cylinder and cover the spark plug holes with a piece of cloth.
 - Crank the engine several times to distribute the oil.
 - Reinstall the spark plugs and spark plug caps.
5. Remove the battery. Store in an area protected from freezing temperatures and direct sunlight.
Slow charge the battery once a month.
6. Wash and dry the motorcycle. Wax all painted surfaces. Coat chrome with rustinhibiting oil.
7. Inflate the tyres to their recommended pressures. Place the motorcycle on blocks to raise both tyres off the ground.
8. Cover the motorcycle (don't use plastic or other coated materials) and store in an unheated area, free of dampness with a minimum of daily temperature variation. Do not store the motorcycle in direct sunlight.

REMOVAL FROM STORAGE

1. Uncover and clean the motorcycle.
Change the engine oil if more than 4 months have passed since the start of storage.
2. Charge the battery as required. Install the battery.
3. Drain any excess aerosol rust-inhibiting oil from the fuel tank. Fill the fuel tank with fresh petrol.
4. Check the final drive oil, adding the recommended gear oil if necessary. Change the final drive oil as specified by the Maintenance Schedule.
5. Perform all Pre-ride Inspection checks (page 41).
Test ride the motorcycle at low speeds in a safe riding area away from traffic.

SPECIFICATIONS

DIMENSIONS

Overall length	2,190 mm (86.2 in) ...G, IIG, IIIG, SW
	2,150 mm (84.6 in) ...ED, E, F, SP, H
Overall width	765 mm (30.1 in)
Overall height	1,080 mm (42.5 in)
Wheelbase	1,465 mm (57.7 in)
Ground clearance	165 mm (6.5 in)

WEIGHT

Dry weight	190.8 kg (420.6 lbs) ...ED, E, F, G, IIG, IIIG, SP, H
	191.8 kg (422.8 lbs) ...SW

CAPACITIES

Engine oil	After draining	2.4 ℓ (2.5 US qt , 2.1 Imp qt)
	After draining and oil filter change	2.6 ℓ (2.7 US qt , 2.3 Imp qt)
	After disassembly	3.0 ℓ (3.2 US qt , 2.6 Imp qt)
Fuel tank		19.0 ℓ (5.02 US gal , 4.18 Imp gal)
Fuel reserve		2.5 ℓ (0.66 US gal , 0.55 Imp gal)
Cooling system capacity		1.8 ℓ (0.48 US gal , 0.40 Imp gal)
Passenger capacity		Operator and one passenger
Maximum weight capacity		191 kg (421 lbs) ...ED, E, F, G, IIG, IIIG, SP, H
		190 kg (419 lbs) ...SW

ENGINE

Bore and stroke	79.0 × 66.0 mm (3.11 × 2.60 in)
Compression ratio	9.2 : 1
Displacement	647 cm ³ (39.5 cu-in)
Spark plug	
Standard	DPR8EA-9 (NGK) or X24EPR-U9 (DENSO)
For cold climate (Below 5°C, 41°F)	DPR7EA-9 (NGK) or X22EPR-U9 (DENSO)
For extended high speed riding	DPR9EA-9 (NGK) or X27EPR-U9 (DENSO)
Spark plug gap	0.80 - 0.90 mm (0.031 - 0.035 in)
Idle speed	1,200 ± 100 min ⁻¹ (rpm)...ED, E, F, G, IIG, IIIG, SP, H 1,200 ± 50 min ⁻¹ (rpm) ... SW
Valve clearance (Cold)	
Intake	0.15 mm (0.006 in)
Exhaust	0.20 mm (0.008 in)

CHASSIS AND SUSPENSION

Caster	28°
Trail	119 mm (4.7 in)
Tyre size, front	110/80-17 57H
Tyre size, rear	150/70-17 69H

POWER TRANSMISSION

Primary reduction	1.763
Gear ratio, 1st	3.000
2nd	1.941
3rd	1.500
4th	1.240
5th	1.074
Final reduction	2.909

ELECTRICAL

Battery		12V – 8Ah
Generator		0.284 kw/5,000 min ⁻¹ (rpm)

LIGHTS

Headlight		12V – 60/55W
Tail / brake light		12V – 21/5W x 2
Turn signal light	Front	12V – 21W
	Rear	12V – 21W
Position light		12V – 4W
Speedometer light		12V – 1.7W
Tachometer lights		12V – 1.7W x 2
Neutral indicator		12V – 1.7W
Turn signal indicator		12V – 1.7W
High beam indicator		12V – 1.7W
Low oil pressure indicator		12V – 1.7W
Side stand indicator		12V – 1.7W

FUSE

Main fuse	30A
Other fuses	10A, 15A

HONDA

NTV650

MANUEL DU CONDUCTEUR



AVIS IMPORTANT

- **CONDUITE EN DUO**

Cette moto a été conçue pour une utilisation en duo (un pilote et un passager). Ne jamais dépasser le poids total autorisé figurant sur l'étiquette d'indications des pneus.

- **UTILISATION SUR ROUTE EXCLUSIVEMENT**

Cette moto n'est destinée qu'à une utilisation routière.

- **LIRE CE MANUEL TRES ATTENTIVEMENT**

Accorder une attention particulière aux indications signalées comme suit:

ATTENTION

Signale un risque important de blessures corporelles ou d'accident mortel si les instructions ne sont pas suivies.

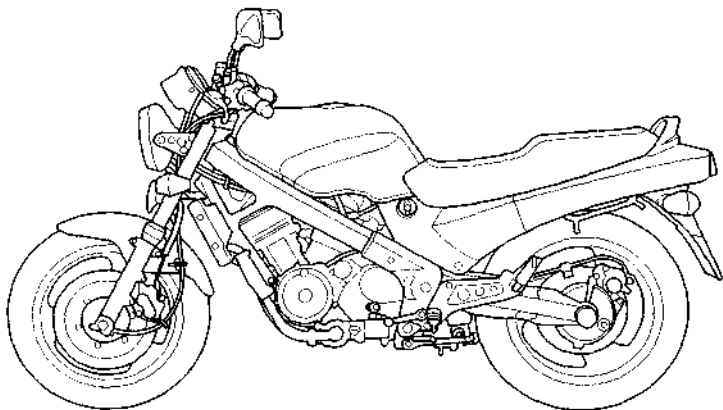
PRECAUTION

Signale un risque d'accident corporel ou de dommage du véhicule si les instructions ne sont pas suivies.

NOTE: Fournit des renseignements utiles.

Ce manuel doit être considéré comme faisant partie de la moto et doit l'accompagner en cas de revente.

HONDA NTV650 MANUEL DU CONDUCTEUR



Toutes les informations de cette publication sont basées sur les dernières données disponibles concernant le produit au moment de la mise sous presse. HONDA MOTOR CO., LTD. se réserve le droit d'effectuer des modifications à tout moment sans préavis et sans aucune obligation de sa part.

Aucune partie de cette publication ne peut être reproduite sans autorisation écrite.

BIENVENUE

La moto vous donne l'occasion de "dominer la machine" et de relever le défi que vous lance l'aventure. Vous roulez dans le vent, relié à la route par un véhicule qui répond à vos commandes mieux que tous les autres. Contrairement à une voiture, vous n'êtes pas enfermé dans une cage métallique. Tout comme pour un avion, les contrôles avant chaque utilisation et l'entretien périodique sont essentiels pour assurer votre sécurité. Ils vous permettront en contrepartie de profiter pleinement de votre liberté.

Pour goûter aux plaisirs de l'aventure en sécurité, vous devrez vous familiariser avec le contenu de ce manuel AVANT DE PILOTER VOTRE MOTO.

Lorsqu'une réparation ou une intervention d'entretien sont nécessaires, n'oubliez pas que c'est votre concessionnaire Honda qui connaît le mieux votre moto. Si vous êtes mécaniquement compétent et disposez de l'outillage nécessaire, votre concessionnaire pourra vous fournir le Manuel d'Atelier Honda officiel qui vous permettra d'effectuer de nombreux travaux d'entretien et de réparation.

Nous vous souhaitons bonne route et vous remercions d'avoir choisi une Honda !

- Dans ce manuel, les codes utilisés pour les différents pays sont les suivants :

E	Royaume-Uni
F	France
SW	Suisse
SP	Espagne Italie

ED	Ventes directes pour l'Europe Belgique Portugal
H	Hollande

G	Allemagne Suède Norvège
IIIG	Allemagne (Type II)
IIIG	Allemagne (Type III)

- Les caractéristiques risquent de varier en fonction du lieu d'utilisation.

UTILISATION

Page		Page	
1	LA SECURITE DU PILOTAGE	34	COMMANDES PRINCIPALES
1	Règles de sécurité pour le pilotage	34	Contacteur d'allumage
2	Vêtements de protection	35	Commandes au bras droit du guidon
2	Modifications	36	Commandes au bras gauche du guidon
3	Chargement et accessoires		
		37	CARACTERISTIQUES
6	EMPLACEMENT DES PIECES		(Non nécessaires pour le pilotage)
9	Instruments de bord et témoins	37	Antivol de direction
		38	Porte-casque
13	ELEMENTS PRINCIPAUX	39	Selle
	(Points à connaître pour le pilotage)	39	Compartiment à documents
13	Suspension	40	Cache latéral
17	Freins		
20	Embrayage	41	UTILISATION
22	Liquide de refroidissement	41	Contrôles avant l'utilisation
25	Essence	42	Mise en marche du moteur
29	Huile moteur	46	Rodage
30	Huile de carter de pont arrière	47	Pilotage
31	Pneus tubeless	49	Freinage
		50	Stationnement
		50	Conseils pour éviter le vol

ENTRETIEN

Page

51	ENTRETIEN
52	Programme d'entretien
55	Trousse à outils
56	Numéros de série
57	Étiquette de coloris
57	Précautions pour l'entretien
58	Huile moteur
62	Reniflard de carter moteur
63	Bougies d'allumage
65	Fonctionnement de la commande des gaz
66	Régime de ralenti
67	Huile de carter de pont arrière
68	Dépose des roues
73	Inspection de suspension avant et arrière
74	Usure des plaquettes de frein
76	Béquille latérale
77	Batterie
79	Remplacement des fusibles
82	Réglage du feu stop

Page

83	NETTOYAGE
85	GUIDE DE REMISAGE
85	Remisage
87	Fin de remisage
88	CARACTERISTIQUES

LA SECURITE DU PILOTAGE

ATTENTION

* **Le pilotage d'une moto demande de la part du pilote un effort particulier pour assurer sa sécurité. Avant de prendre la route, bien assimiler les règles suivantes:**

REGLES DE SECURITE POUR LE PILOTAGE

1. Avant de mettre le moteur en marche, toujours effectuer les "contrôles avant l'utilisation" (page 41). Ceci permettra d'éviter des accidents ou d'endommager la moto.
2. De nombreux accidents ont pour victimes des pilotes inexpérimentés. La plupart des pays exigent un examen de conduite ou un permis spécial moto. Avant de prendre la route, s'assurer que l'on est en règle. **NE JAMAIS** prêter sa moto à un pilote inexpérimenté.
3. De nombreux accidents entre moto et voiture viennent du fait que l'automobiliste n'a pas "vu" le motocycliste. Veiller à bien être visible pour ne pas être la victime non responsable d'un accident. Pour cela:

- Porter des vêtements clairs ou réfléchissants.
 - Eviter de se trouver dans l'angle mort de visibilité d'un automobiliste.
4. Respecter toutes les lois et réglementations nationales et locales.
 - L'excès de vitesse est responsable de nombreux accidents. Ne pas dépasser les limites de vitesse et **NE JAMAIS** rouler plus vite que conditions ne l'autorisent.
 - Signaler son intention de tourner ou de changer de voie aux autres usagers. La taille et la maniabilité de la moto peuvent les surprendre.
 5. Ne pas se laisser surprendre par les autres automobilistes. Redoubler de prudence aux intersections, sorties et entrées de parking et voies privées.
 6. Garder les deux mains sur le guidon et les deux pieds sur les repose-pied pendant la conduite. Le passager doit se tenir à la moto ou au pilote avec les deux mains et garder les deux pieds sur les repose-pied passager.

VETEMENTS DE PROTECTION

1. La plupart des décès dans les accidents de moto sont dus à des blessures à la tête: **TOUJOURS** porter un casque. S'équiper de lunettes ou d'un écran de protection et porter des bottes, des gants et des vêtements protecteurs. La même protection est nécessaire pour le passager.
2. Le système d'échappement devient très chaud pendant la marche, et le reste un certain temps après l'arrêt. Ne jamais toucher les pièces du système d'échappement lorsqu'il est chaud. Porter des vêtements qui recouvrent entièrement les jambes.
3. Ne pas porter des vêtements trop amples qui peuvent se prendre dans les leviers de commande, les repose-pied ou les roues.

MODIFICATIONS

ATTENTION

- * **Toute modification de la moto ou tout retrait de l'équipement monté d'origine peuvent affecter la sécurité et contrevenir à la réglementation. Respecter toutes les réglementations nationales et locales concernant l'équipement.**

CHARGEMENT ET ACCESSOIRES

ATTENTION

* Pour ne pas risquer un accident, ne pas ajouter inconsidérément des accessoires ou un chargement. Des accessoires ou un chargement supplémentaires peuvent affecter la stabilité et les performances de la moto tout en abaissant la vitesse limite admissible. Ne jamais dépasser 130 km/h avec une moto équipée d'accessoires. Et ne pas oublier que cette limite de 130 km/h peut être encore abaissée par l'utilisation d'accessoires d'une autre provenance que Honda, par un chargement non-approprié, par des pneus usés, un mauvais état général de la moto, un mauvais état de la route, des conditions climatiques défavorables etc. Ces règles générales aideront le pilote à décider de l'opportunité d'équiper ou de charger sa moto et de la manière dont il doit le faire pour assurer sa sécurité.

Chargement

Le poids cumulé du pilote, du passager, du chargement et des accessoires ajoutés ne doit pas dépasser le poids total autorisé:

191 kg ...ED, E, F, G, IIG, IIIG, SP, H

190 kg ...SW

Le poids du chargement seul ne doit pas dépasser:

27 kg

1. Maintenir le poids du chargement et des accessoires bas et près du centre de la moto. Répartir le poids uniformément des deux côtés pour minimiser le déséquilibre. Plus le poids se trouve loin du centre de gravité de la moto, moins bonne est la tenue de route.
2. Régler la pression des pneus (page 31) et la suspension arrière (page 13) en fonction de la charge et des conditions de pilotage.

3. La tenue de route et la stabilité peuvent être affectées par un chargement mal attaché. Vérifier fréquemment la fixation du chargement et le montage des accessoires.
4. Ne pas fixer d'objets volumineux ou lourds (tels que sac de couchage ou tente) au guidon, sur la fourche ou sur le garde-boue. Ceci affecterait la tenue de route et la réponse de la direction.

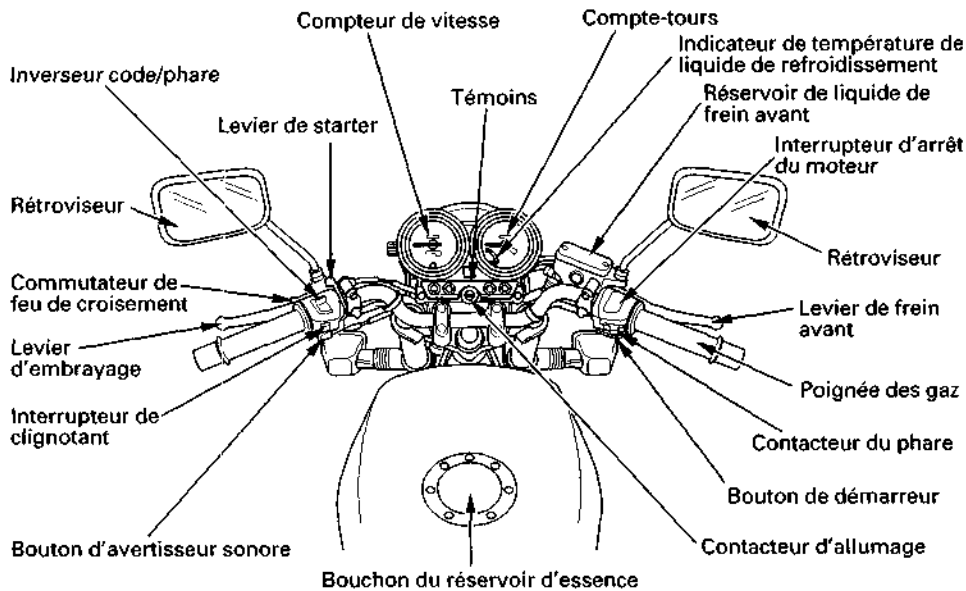
Accessoires

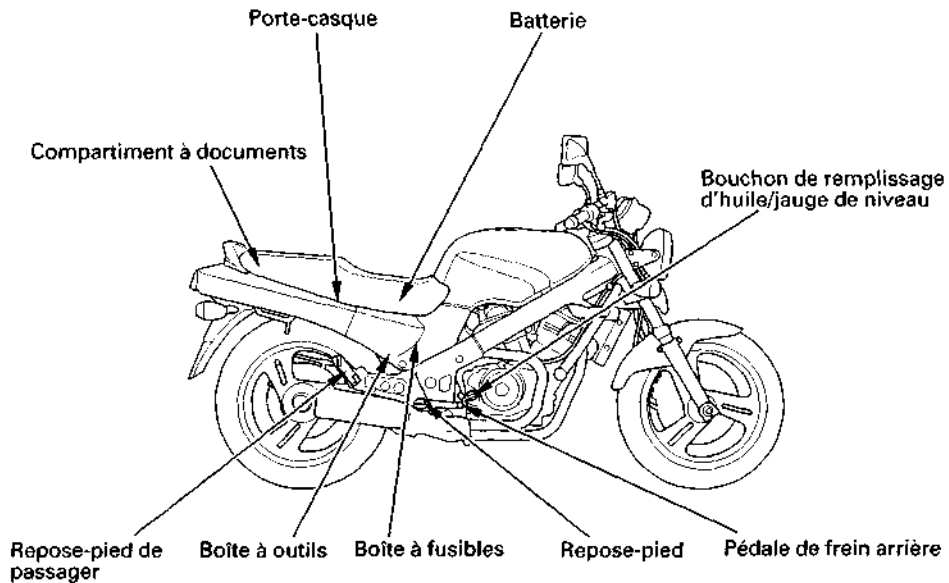
Les accessoires Honda d'origine ont été spécialement conçus pour cette moto et ont été testés sur elle. Nos usines ne peuvent tester tous les accessoires en vente sur le marché et le pilote est donc personnellement responsable du choix, de la pose et de l'utilisation d'accessoires d'une autre provenance que Honda. Toujours observer les directives données sous "Chargement" ainsi que les règles suivantes:

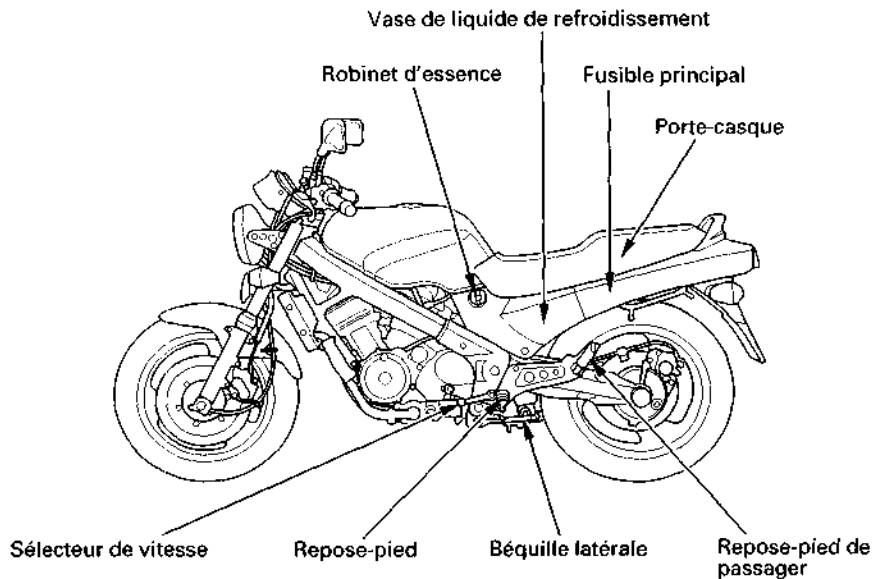
1. Contrôler soigneusement l'accessoire pour s'assurer qu'il ne masque aucun feu, qu'il ne réduit pas la garde au sol ou l'angle d'inclinaison maximale dans les virages et qu'il ne limite pas le débattement de la suspension, le braquage ou le fonctionnement des commandes.
2. Les grands carénages ou pare-brise de tête de fourche et les carénages mal conçus ou mal montés peuvent engendrer des forces aérodynamiques qui affectent la stabilité de la tenue de route. Ne pas poser de carénages qui entravent le passage de l'air de refroidissement vers le moteur.

3. Les accessoires qui modifient la position de conduite en éloignant les mains ou les pieds des commandes peuvent retarder la réponse du pilote en cas d'urgence.
4. Ne pas ajouter un équipement électrique dont la consommation dépasse les capacités du circuit électrique de la moto. Un fusible qui saute peut entraîner une extinction des feux ou une perte de puissance du moteur qui risquent d'être dangereux.
5. Cette moto n'est pas prévue pour tirer un sidecar ou une remorque. Avec de tels équipements, son comportement routier en serait sérieusement affecté.
6. Toute modification du circuit de refroidissement peut entraîner une surchauffe et de sérieux dommages du moteur. Ne pas modifier les boucliers de radiateur ni poser des accessoires qui entravent ou dévient le passage de l'air vers le radiateur.

EMPLACEMENT DES PIÈCES



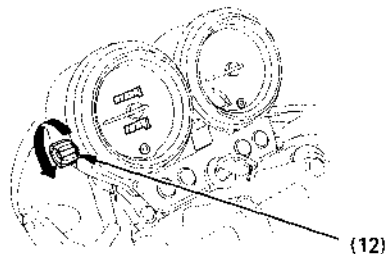
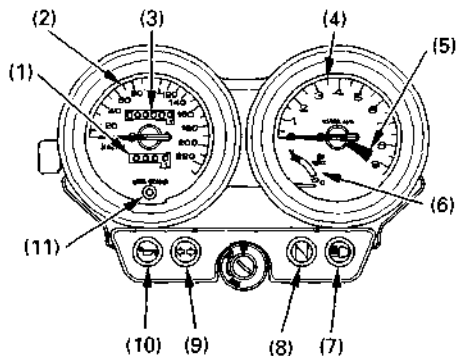




INSTRUMENTS DE BORD ET TEMOINS

Les indicateurs sont logés dans le tableau de bord. Leurs fonctions sont décrites dans les tableaux des pages suivantes.

- (1) Totalisateur journalier
- (2) Compteur de vitesse
- (3) Compteur kilométrique
- (4) Compte-tours
- (5) Zone rouge du compte-tours
- (6) Indicateur de température du liquide de refroidissement
- (7) Témoin de feu de route
- (8) Témoin de point-mort
- (9) Témoin de clignotant
- (10) Témoin de basse pression d'huile
- (11) Témoin de béquille latérale
- (12) Bouton de remise à zéro du totalisateur journalier

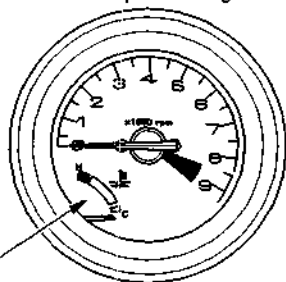


(N° de réf.) Désignation	Fonction
(1) Totalisateur journalier	Indique le kilométrage parcouru par voyage.
(2) Compteur de vitesse	Indique la vitesse de la moto.
(3) Compteur kilométrique	Indique le kilométrage total parcouru.
(4) Compte-tours	Indique le régime moteur.
(5) Zone rouge de compte-tours	<p>Ne jamais laisser l'aiguille du compte-tours pénétrer dans la zone rouge, même si le moteur est déjà rodé.</p> <p>PRECAUTION</p> <p>* Faire tourner le moteur à un régime supérieur au régime maximal spécifié (début de la zone rouge du compte-tours) pourrait endommager le moteur.</p>
(6) Indicateur de température du liquide de refroidissement	Indique la température du liquide de refroidissement (voir page 12).
(7) Témoin de feu de route	S'allume pour signaler que le phare est en position feu de route.

(N° de réf.) Désignation	Fonction
(8) Témoin de point-mort (vert)	S'allume lorsque la boîte de vitesses est au point-mort.
(9) Témoin de clignotant	Clignote lorsqu'un des clignotants est actionné.
(10) Témoin de basse pression d'huile	<p>S'allume lorsque la pression d'huile du moteur est inférieure à la pression normale de fonctionnement. Doit s'allumer lorsque le contacteur d'allumage est sur ON et que le moteur ne tourne pas. Doit s'éteindre lorsque le moteur démarre; toutefois, un clignotement se produit occasionnellement au régime de ralenti lorsque le moteur est chaud.</p> <p>PRECAUTION</p> <p>* Si le moteur tourne avec une pression d'huile insuffisante, il risque d'être sérieusement endommagé.</p>
(11) Témoin de béquille latérale	S'allume lorsque la béquille latérale est abaissée. Avant de stationner, s'assurer que la béquille latérale est entièrement abaissée; le témoin se borne à indiquer que le système de coupure de l'allumage (page 42) est en action.
(12) Bouton de remise à zéro du totalisateur journalier	Remet le totalisateur journalier à zéro (0). Tourner le bouton dans le sens indiqué.

Indicateur de température du liquide de refroidissement

Lorsque l'aiguille commence à dépasser le repère C (froid), le moteur est suffisamment chaud pour le pilotage. La température normale de fonctionnement se situe dans la partie entre les repères C et H. Si l'aiguille atteint le repère H (chaud), arrêter le moteur et vérifier le niveau de liquide de refroidissement dans le vase d'expansion. Lire les pages 23 et 24 et ne pas rouler tant que le problème n'a pas été réglé.



(1) Indicateur de température de liquide de refroidissement

PRECAUTION

* Veiller à ce que le moteur ne dépasse pas la température de fonctionnement maximale car il risquerait d'être sérieusement endommagé.

ELEMENTS PRINCIPAUX (Points à connaître pour le pilotage)

▲ ATTENTION

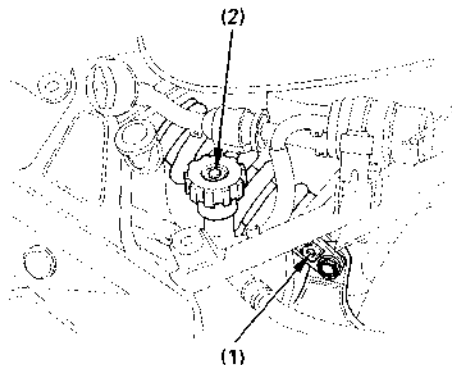
* En n'effectuant pas les contrôles avant l'utilisation (page 41), on risque de graves blessures corporelles ou des dommages importants du véhicule.

SUSPENSION

Suspension arrière

La suspension arrière peut fournir les conditions de conduite désirées pour divers poids de pilote/passager et conditions de conduite par des ajustements du tendeur de d'amortissement de rebond et de prétension du ressort.

Retirer le cache latéral gauche pour régler la force de rebond et la précharge du ressort.

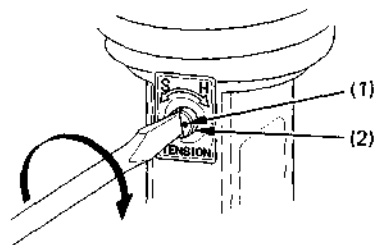


- (1) Réglage d'amortissement
- (2) Tendeur de précharge du ressort

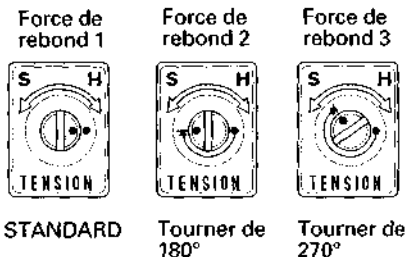
Amortissement de tension:

Il existe trois positions de réglage de force d'amortissement. La position pour laquelle les points (1) sont en regard est la position standard.

Pour augmenter la force d'amortissement, tourner le bouton de réglage (2) de 180° ou 270° dans le sens des aiguilles d'une montre à partir de la position standard.



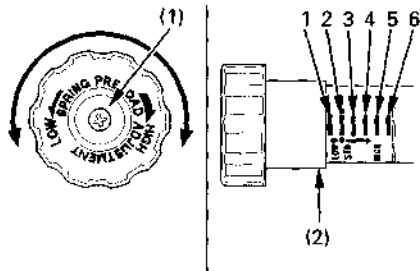
- (1) Points
- (2) Réglage d'amortissement



Ajustement de précharge de ressort:

Le dispositif de réglage de précharge du ressort présente 6 positions de précharge correspondant à différentes charges et conditions de conduite. Pour effectuer un réglage, tourner le bouton de réglage (1) dans le sens des aiguilles d'une montre ou dans le sens contraire selon que l'on désire accroître ou diminuer la précharge. Placer la languette du bouton de réglage (2) en regard de l'un des six segments en fonction des réglages conseillés pour les diverses charges.

Charge du véhicule	Force de rebond	Précharge du ressort
Pilote seul (jusqu' à 75 kg)	1	1 à 3
Pilote + charge (jusqu' à 100 kg)	2	4
Pilote + passager (jusqu' à 150 kg)	2	4 à 5
Pilote + passager + charge (jusqu' au poids maximal admissible)	3	6



(1) Bouton de réglage (2) Lèvre du tendeur

ATTENTION

- * La suspension arrière comprend un amortisseur qui contient de l'azote sous haute pression. Les instructions de ce manuel se limitent au réglage de l'amortisseur. Ne pas essayer de démonter, de désaccoupler ou d'effectuer une opération quelconque sur l'amortisseur. Il risquerait d'exploser et de provoquer de graves blessures.
- * Une perforation ou une exposition aux flammes peuvent également entraîner une explosion et occasionner de graves blessures.
- * Les interventions sur l'amortisseur et sa mise au rebut doivent être effectuées par un concessionnaire Honda ou un mécanicien qualifié, équipé de l'outillage nécessaire, du matériel de sécurité et du *Manuel d'entretien Honda officiel*.

FREINS

Les freins avant et arrière sont des freins hydrauliques à disque.

Lorsque les plaquettes de frein s'usent, le niveau de liquide de frein descend.

Aucun réglage n'est nécessaire, mais il faut vérifier périodiquement le niveau de liquide et l'usure des plaquettes. Le circuit doit être contrôlé fréquemment pour s'assurer qu'il n'y a pas de fuites de liquide. Si la garde au levier ou à la pédale de frein est excessive bien que les garnitures ne soient pas usées au-delà de la limite recommandée (page 74), il est probable qu'il y ait de l'air dans le circuit et il convient de le purger. Pour cette opération, s'adresser à un concessionnaire agréé Honda.

Niveau de liquide frein avant:

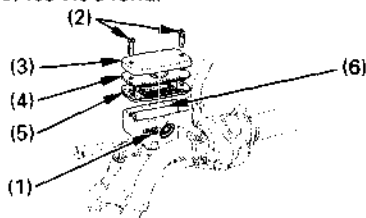
▲ATTENTION

- * Le liquide de frein peut provoquer des irritations. Eviter qu'il ne vienne en contact avec la peau ou les yeux. En cas de contact, rincer abondamment à l'eau la partie touchée et, si les yeux ont été atteints, appeler un médecin.
- * TENIR HORS DE PORTEE DES ENFANTS.

PRECAUTION

- * Manipuler le liquide de frein avec précaution car il attaque le plastique et les surfaces peintes.
- * Lors de l'appoint du liquide de frein, veiller à ce que le réservoir soit à l'horizontale avant de retirer le couvercle. Sinon, le liquide de frein pourrait se renverser.
- * N'utiliser que du liquide de frein DOT 4 provenant d'un bidon fermé.
- * Veiller à ce qu'aucune substance étrangère telle que saleté ou eau ne pénètre dans le réservoir de liquide de frein.

Du liquide de frein doit être ajouté dans le réservoir chaque fois que le niveau approche du repère INFÉRIEUR (1). Retirer les vis (2), le couvercle du réservoir (3), la plaque de membrane (4) et la membrane (5). Remplir le réservoir jusqu'au repère supérieur (6) avec du LIQUIDE DE FREIN DOT 4 provenant d'un bidon scellé. Reposer la membrane, la plaque de membrane, le couvercle du réservoir. Serrer les vis à fond.



- (1) Marque de niveau inférieur (LOWER)
- (2) Vis
- (3) Couvercle de réservoir
- (4) Plaque de membrane
- (5) Membrane
- (6) Repère marque de niveau supérieur (UPPER)

Frein arrière

Niveau de liquide de frein arrière:

⚠ ATTENTION

- * Le liquide de frein peut provoquer des irritations. Eviter qu'il ne vienne en contact avec la peau ou les yeux. En cas de contact, rincer abondamment à l'eau la partie touchée et, si les yeux ont été atteints, appeler un médecin.
- * **TENIR HORS DE PORTEE DES ENFANTS.**

PRECAUTION

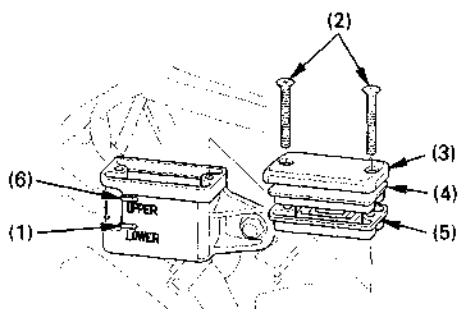
- * Manipuler le liquide de frein avec précaution car il attaque le plastique et les surfaces peintes.
- * Lors de l'appoint du liquide de frein, veiller à ce que le réservoir soit à l'horizontale avant de retirer le couvercle. Sinon, le liquide de frein pourrait se renverser.
- * N'utiliser que du liquide de frein DOT 4 provenant d'un bidon fermé.
- * Veiller à ce qu'aucune substance étrangère telle que saleté ou eau ne pénètre dans le réservoir de liquide de frein.

S'assurer que le liquide se trouve au-dessus du repère de niveau minimum (1) avec la moto à la verticale.

Lorsque le niveau est sur le point d'atteindre le repère du niveau minimum (1), ajouter du liquide de frein dans le réservoir. Déposer alors le cache latéral droit (page 40). Déposer les vis (2), le couvercle de réservoir (3), la plaque de membrane (4) et la membrane (5). Remplir le réservoir jusqu'au repère de niveau maximum (6) avec du liquide de frein DOT 4 provenant d'un bidon fermé. Reposer la membrane, la plaque de membrane et le couvercle. Serrer les vis à fond.

Autres contrôles:

S'assurer qu'il n'y a pas de fuites de liquide. Vérifier si les flexibles et raccords ne sont pas détériorés ou fissurés.

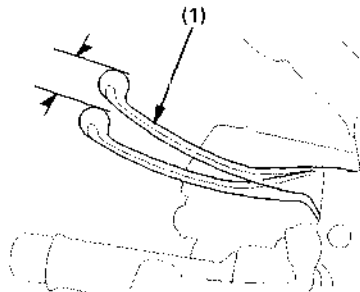


- (1) Marque de niveau inférieur (LOWER)
- (2) Vis
- (3) Couvercle de réservoir
- (4) Plaque de membrane
- (5) Membrane
- (6) Repère marque de niveau supérieur (UPPER)

EMBRAYAGE

Il peut être nécessaire de régler l'embrayage si la moto cale lors de l'engagement d'un rapport, si elle a tendance à avancer au débrayé ou si l'embrayage patine, provoquant un retard de l'accélération sur le régime moteur. De petits réglages peuvent être effectués à l'aide du tendeur de câble d'embrayage (3) au niveau du levier (1). La garde normale au levier d'embrayage est de:

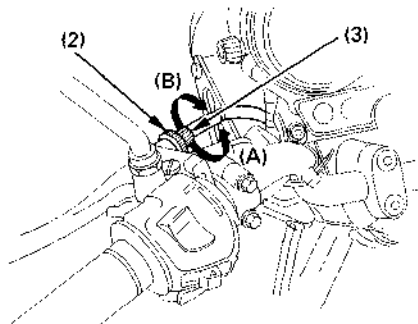
10-20 mm



(1) Levier d'embrayage

20

1. Desserrer le contre-écrou (2) et agir sur le tendeur (3). Resserrer le contre-écrou (2) et vérifier le réglage.
2. Si le tendeur est presque entièrement dévissé et que l'on ne peut obtenir un réglage correct de la garde, desserrer le contre-écrou (2) et visser entièrement le tendeur (3). Resserrer le contre-écrou (2).



(2) Contre-écrou
(3) Réglage de câble
d'embrayage

(A) Augmentation de
la garde
(B) Diminution de la
garde

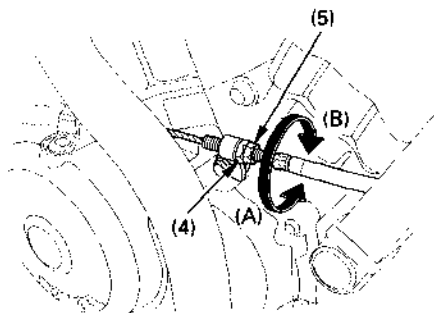
3. Desserrer le contre-écrou (4) à l'extrémité inférieure du câble. Agir sur l'écrou de réglage (5) pour obtenir la garde spécifiée. Resserrer le contre-écrou (4) et vérifier le réglage.
4. Mettre le moteur en marche, serrer le levier d'embrayage et engager un rapport. S'assurer que le moteur ne cale pas et que la moto n'avance pas au débrayé. Relâcher progressivement le levier d'embrayage et ouvrir la poignée des gaz. La moto doit commencer à bouger en douceur et accélérer progressivement.

NOTE:

- * Si l'embrayage ne peut être correctement réglé ou s'il ne fonctionne pas correctement, s'adresser à un concessionnaire agréé Honda.

Autres contrôles:

S'assurer que le câble d'embrayage n'est pas vrillé ou usé ce qui pourrait provoquer son grippage ou sa rupture. Graisser le câble d'embrayage avec un lubrifiant pour câble en vente dans le commerce pour le protéger contre une usure prématurée et contre la corrosion.



- (4) Contre-écrou
(5) Ecrou de réglage

- (A) Augmentation de la garde
(B) Diminution de la garde

LIQUIDE DE REFROIDISSEMENT

Liquide de refroidissement préconisé

Il convient de surveiller attentivement le liquide de refroidissement pour empêcher le gel, la surchauffe et la corrosion. N'utiliser que de l'antigel à l'énthylène-glycol de qualité supérieure contenant des inhibiteurs de corrosion expressément recommandés pour les moteurs en aluminium. (VOIR L'ETIQUETTE DU BIDON D'ANTIGEL.)

PRECAUTION

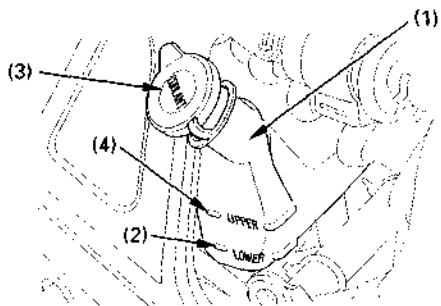
*** Pour la solution d'antigel, n'utiliser que de l'eau potable à faible minéralité ou de l'eau distillée. Une eau à forte teneur en minéraux ou en sel peut être nocive pour le moteur en aluminium.**

A sa sortie d'usine, la moto contient une solution composée à 50 % d'antigel et à 50 % d'eau. Cette solution de refroidissement est conseillée pour la plupart des températures de fonctionnement et assure une bonne protection contre la corrosion. Une concentration plus élevée d'antigel diminue l'efficacité du circuit de refroidissement et n'est recommandée que lorsqu'une protection renforcée contre le gel est nécessaire. Une concentration de moins de 40 % d'antigel ne protège pas suffisamment contre la corrosion. Par temps de gel, contrôler fréquemment le circuit de refroidissement et, si nécessaire, augmenter la concentration d'antigel (sans toutefois dépasser 60 % d'antigel).

Contrôle

Le vase d'expansion se trouve derrière le cache latéral gauche.

Vérifier le niveau de liquide de refroidissement dans le vase d'expansion (1) alors que le moteur se trouve à sa température normale de fonctionnement avec la moto à la verticale. Si le niveau de liquide de refroidissement se trouve en dessous du repère de niveau minimum (LOWER) (2), déposer le cache latéral gauche (page 40) et le bouchon du vase d'expansion (3). Faire l'appoint de mélange de refroidissement jusqu'au repère de niveau maximum (UPPER) (4). Ne pas retirer le bouchon du radiateur.



- (1) Vase d'expansion
- (2) Repère de niveau minimum (LOWER)
- (3) Bouchon de vase d'expansion
- (4) Repère de niveau maximum (UPPER)

▲ATTENTION

- * **Ne pas retirer le bouchon du radiateur lorsque le moteur est chaud. Le liquide de refroidissement se trouve sous pression et il pourrait provoquer de graves brûlures.**
- * **Ne pas approcher mains et vêtements du ventilateur de refroidissement car il se met en marche automatiquement.**

Si le vase d'expansion est vide ou si les pertes de liquide de refroidissement sont excessives, vérifier s'il n'y a pas de fuites et, le cas échéant, s'adresser à un concessionnaire agréé Honda pour la réparation.

ESSENCE

Robinet d'essence manuel

Le robinet d'essence manuel (1) se trouve sous le côté gauche du réservoir d'essence. Le placer sur ON pour le fonctionnement normal ou sur RES si l'alimentation principale d'essence est épuisée. La position OFF ne doit être utilisée que pour un long remisage de la moto ou pour une intervention sur le circuit d'alimentation.

Membrane automatique de coupure d'essence

Lorsque le robinet d'essence est sur ON (ou sur RES), l'essence ne passe dans les carburateurs que si le moteur est mis en marche ou tourne. Une membrane coupe le passage de l'essence lorsque le moteur est arrêté.

Réserve d'essence

Lorsque l'alimentation principale est épuisée, placer le robinet d'essence sur RES. Faire le plein le plus tôt possible après avoir positionné le robinet sur RES; puis remettre le robinet sur ON.

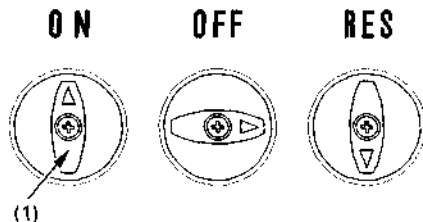
La capacité de la réserve d'essence est de:
2,5 l

ATTENTION

- * Pour ne pas risquer une panne d'essence en roulant, ce qui pourrait se traduire par un arrêt brutal, s'exercer à manoeuvrer le robinet d'essence en pilotant.

NOTE:

- * N'oublier pas de vérifier que le robinet d'essence est dans la position ON chaque fois que l'on fait le plein. Si le robinet est laissé sur la position RES, l'on risque de tomber en panne sèche, sans réserve.



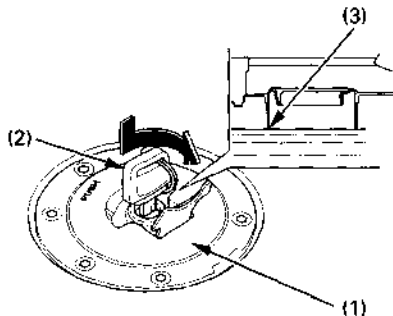
(1) Robinet d'essence

Réservoir d'essence

La capacité du réservoir d'essence y compris la réserve est de:

19,0 l

Pour ouvrir le bouchon du réservoir (1), introduire la clé de contact (2) et tourner dans le sens des aiguilles d'une montre. Le bouchon à charnières s'ouvre en tournant la clé.



(1) Bouchon du réservoir d'essence

(2) Clé de contact

(3) Goulot de remplissage

26

Après avoir fait le plein, fermer le bouchon en l'introduisant dans le goulot de remplissage, jusqu'au déclic de blocage. Enlever la clé.

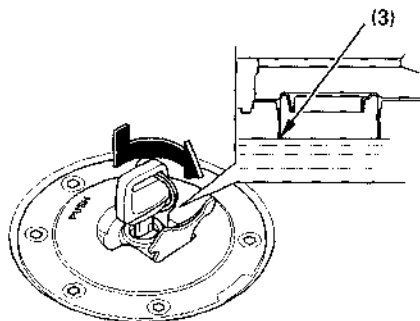
Utiliser de l'essence sans plomb ou à faible teneur en plomb avec un indice d'octane recherche de 91 ou plus. Nous vous recommandons d'utiliser de l'essence sans plomb car elle produit moins de dépôts dans le moteur et sur les bougies d'allumage et prolonge la durée de vie des composants du système d'échappement.

PRECAUTION

* Si un "cognement" ou un "cliquetis" se produit alors que le régime moteur est stable sous une charge normale, changer de marque d'essence. Si le cognement ou le cliquetis persiste, s'adresser à un concessionnaire Honda. A défaut, ceci serait considéré comme un cas de mauvaise utilisation et les dommages causés par une mauvaise utilisation ne sont pas couverts par la garantie limitée Honda.

ATTENTION

- * L'essence est une substance extrêmement inflammable qui peut exploser dans certaines conditions. Faire le plein dans un endroit bien aéré et avec le moteur arrêté. Ne pas fumer et n'approcher ni flammes, ni étincelles près de l'endroit de stockage de l'essence ou près du moteur au moment de faire le plein.
- * Ne pas trop remplir le réservoir (l'essence ne doit pas atteindre le goulot de remplissage (3)). Après avoir refait le plein, s'assurer que le bouchon de remplissage d'essence est bien refermé.
- * Prendre garde de ne pas renverser de l'essence lorsqu'on fait le plein. L'essence renversée ou les vapeurs d'essence risquent de s'enflammer. Si de l'essence a été renversée, l'essuyer avant de mettre le moteur en marche.
- * Éviter un contact répété ou prolongé de l'essence avec la peau et ne pas respirer les vapeurs d'essence.
TENIR L'ESSENCE HORS DE PORTEE DES ENFANTS.



(3) Goulot de remplissage

Essences contenant de l'alcool

Si l'on décide d'utiliser une essence contenant de l'alcool ("essence-alcool"), l'assurer que son indice d'octane est au moins égal à l'indice recommandé. Il existe deux types "d'essence alcool": le premier contient de l'éthanol, le second du méthanol. Ne pas utiliser une essence-alcool contenant plus de 10 % d'éthanol. Ne pas utiliser une essence contenant du méthanol (alcool méthylique ou alcool de bois) sans dissolvants et inhibiteurs de corrosion pour méthanol. Ne jamais utiliser une essence contenant plus de 5 % de méthanol, ceci même si elle contient des dissolvants et des inhibiteurs de corrosion.

NOTE:

- * Les dommages du circuit d'alimentation ou les problèmes de performances du moteur résultant de l'utilisation de carburants contenant de l'alcool ne sont pas couverts par la garantie. Honda n'est pas en mesure d'approuver l'utilisation de carburants contenant du méthanol car la preuve n'est pas encore pleinement faite qu'ils sont bien adaptés.
- * Avant de se ravitailler dans une station-service que l'on connaît mal, essayer de savoir si l'essence contient de l'alcool, quel est le type d'alcool utilisé et dans quel pourcentage. Si l'on constate une anomalie de fonctionnement après avoir utilisé une essence contenant de l'alcool, ou une essence que l'on suspecte d'en contenir, revenir à une essence que l'on sait ne pas contenir d'alcool.

HUILE MOTEUR

Contrôle du niveau d'huile moteur

Vérifier le niveau d'huile moteur avant la première utilisation de la journée.

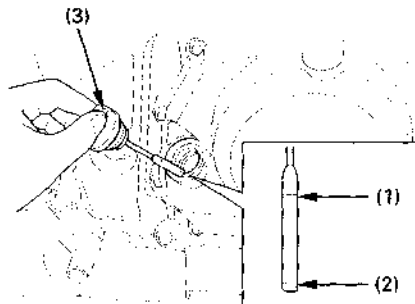
L'huile doit être maintenue entre les repères de niveau maximum (1) et minimum (2) de la jauge (3).

1. Mettre le moteur en marche et le laisser tourner au ralenti pendant quelques minutes. S'assurer que le témoin de pression d'huile basse s'éteint. Si le témoin reste allumé, arrêter immédiatement le moteur.
2. Arrêter le moteur et placer la moto à la verticale sur un sol horizontal et ferme.
3. Attendre quelques minutes, puis retirer le bouchon de remplissage/jauge d'huile. Essuyer la jauge et la réintroduire sans la visser. Retirer la jauge. Le niveau d'huile doit se trouver entre les repères supérieur et inférieur de la jauge.
4. Si nécessaire, faire l'appoint d'huile préconisée (voir page 58) jusqu'au repère de niveau maximum. Ne pas trop remplir.

5. Remettre le bouchon de remplissage/jauge en place. Vérifier s'il n'y a pas de fuites d'huile.

PRECAUTION

*** Si le moteur tourne avec une pression d'huile insuffisante, il risque d'être sérieusement endommagé.**



- (1) Repère de niveau maximum
- (2) Repère de niveau minimum
- (3) Bouchon de remplissage d'huile/jauge de niveau

HUILE DE CARTER DE PONT ARRIERE

Vérification du niveau d'huile

Vérifier le niveau d'huile de carter de pont aux intervalles indiqués dans le programme d'entretien (page 53).

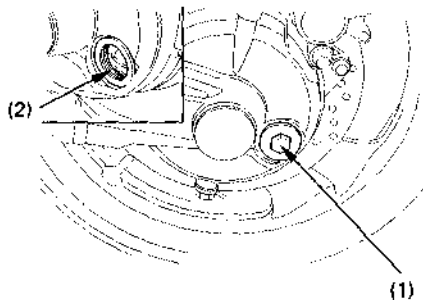
1. Maintenir la moto à la verticale sur un sol ferme et horizontal.
2. Retirer le bouchon de remplissage d'huile (1).
3. S'assurer que le niveau d'huile atteint le bord inférieur de l'orifice du bouchon de remplissage.

NOTE:

- * Si le niveau est bas, vérifier s'il n'y a pas de fuites. Verser de l'huile nouvelle par l'orifice de remplissage d'huile jusqu'au bord inférieur de l'orifice.

Huile préconisée:

HUILE POUR ENGRENAGES HYPOIDES SAE 80



- (1) Bouchon de remplissage d'huile
- (2) Orifice de contrôle

PNEUS TUBELESS

Cette moto est équipée de pneus, valves et jantes tubeless. N'utiliser que des pneus portant la mention "TUBELESS" et des valves tubeless sur des jantes marquées "TUBELESS TIRE APPLICABLE".

Une pression correcte procure une stabilité maximale, assure le meilleur confort de pilotage et prolonge la durée de service des pneus.

Vérifier fréquemment la pression des pneus et, si nécessaire, la régler.

NOTE:

- * La pression des pneus doit être contrôlée lorsque les pneus sont froids, avant de piloter.
- * Les pneus tubeless possèdent une certaine propriété d'auto-obturation en cas de crevaison et leur dégonflement est souvent très lent. Vérifier soigneusement s'il n'y a pas de fuites, tout particulièrement si le pneu n'est pas entièrement gonflé.

Dimensions de pneu	
Avant	110/80 - 17 57H
Arrière	150/70 - 17 69H
Pressions des pneus à froid kPa (kg/cm ²)	En solo Avant 225 (2,25) Arrière 225 (2,25)
	En duo Avant 225 (2,25) Arrière 280 (2,80)
Marque de pneu TUBELESS UNIQUEMENT	METZELER Avant ME33 Arrière ME55A
	BRIDGESTONE Avant G547G Arrière G548
	DUNLOP Avant K505G Arrière K505

Rechercher la présence éventuelle de coupures, de clous ou autres objets perforants dans la structure du pneu. Vérifier si les jantes ne sont ni entaillées ni déformées. Si un dommage est constaté, s'adresser à un concessionnaire agréé Honda pour la réparation, le remplacement et l'équilibrage.

ATTENTION

- * Un gonflage incorrect des pneus entraîne une usure anormale de la bande de roulement et affecte la sécurité. Un gonflage insuffisant peut conduire à un glissement du pneu sur la jante ou à un déjantement, ce qui peut provoquer le dégonflement du pneu et faire perdre le contrôle du véhicule.
- * Il est dangereux de rouler avec des pneus excessivement usés car ceci affecte la traction et la tenue de route.

Remplacer les pneus avant que la profondeur de sculpture au centre du pneu n'ait atteint la limite suivante:

Profondeur minimale de sculpture	
Avant	1,5 mm
Arrière	2,0 mm

Réparation/remplacement des pneus:
S'adresser à un concessionnaire Honda.

▲ATTENTION

- * L'utilisation de pneus autres que ceux figurant sur l'étiquette d'indications des pneus peut affecter la tenue de route.
- * Ne pas poser des pneus à chambre à air sur des jantes tubeless. Les talons peuvent ne pas trouver assise et les pneus glisser sur les jantes, provoquant ainsi un dégonflement du pneu pouvant faire perdre le contrôle du véhicule.
- * Ne pas poser une chambre à air dans un pneu tubeless. Un échauffement excessif peut provoquer un éclatement et un dégonflement rapide du pneu pouvant faire perdre le contrôle du véhicule.
- * Remplacer le pneu si son flanc est crevé ou endommagé. Une flexion du flanc du pneu peut faire "sauter" la réparation et provoquer un dégonflement du pneu pouvant faire perdre le contrôle du véhicule.

▲ATTENTION

- * Pour la stabilité de la tenue de route, il est nécessaire que la roue soit correctement équilibrée. Ne pas retirer ni changer de place les plombs d'équilibrage de la roue. Pour l'équilibrage des roues, s'adresser à un concessionnaire Honda. Un équilibrage de la roue est nécessaire après la réparation ou le remplacement du pneu.
- * Pour ne pas risquer que la réparation "saute" et que le dégonflement du pneu fasse perdre le contrôle du véhicule, ne pas dépasser 80 km/h pendant les 24 premières heures qui suivent la réparation et 130 km/h après cela.

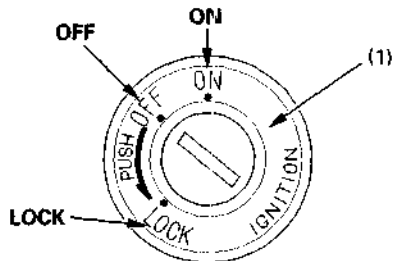
PRECAUTION

- * Ne pas essayer de démonter les pneus sans chambre sans outils spéciaux et protecteurs de jante. On risquerait d'endommager la surface d'étanchéité de la jante ou de déformer la jante.

COMMANDES PRINCIPALES

CONTACTEUR D'ALLUMAGE

Le contacteur d'allumage (1) se trouve sous le panneau des témoins.

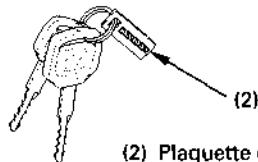


(1) Contacteur d'allumage

< G, II G, III G, H seulement >

Vous recevrez une plaque d'identification portant le numéro de la clé en même temps que celle-ci.

Cette plaque d'identification sera nécessaire pour obtenir une clé de rechange, en cas de perte de la clé d'origine. Conserver cette plaque séparément dans un lieu sûr.






(2) Plaquette de numéro de clé

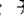


Position de la clé	Fonction	Retrait de la clé
LOCK (antivol)	La direction est bloquée. Le moteur ne peut pas être mis en marche et les feux ne peuvent pas être allumés.	La clé peut être retirée.
OFF	Le moteur ne peut pas être mis en marche et les feux ne peuvent pas être allumés.	La clé peut être retirée.
ON	Le moteur et les feux peuvent être allumés.	La clé ne peut pas être retirée.


COMMANDES AU BRAS DROIT DU GUIDON


Bouton d'arrêt du moteur

Le bouton d'arrêt du moteur (1) se trouve près de la poignée des gaz. Lorsque le bouton est sur la position  (RUN), le moteur fonctionne. Lorsqu'il est sur la position  (OFF), le moteur ne fonctionne pas. Ce bouton est destiné principalement aux cas d'urgence et doit normalement rester en position  (RUN).

Commutateur du phare

Le commutateur du phare (2) comporte trois positions: ,  et OFF marqué par un point à droite de .


: Le phare, le feu arrière, le feu de position et l'éclairage du tableau de bord sont allumés.

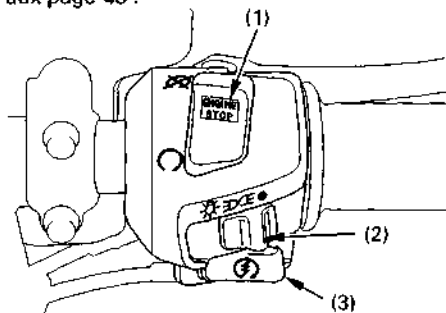
: Le feu de position, le feu arrière et l'éclairage du tableau de bord sont allumés.

OFF (point): Le phare, le feu arrière, le feu de position et l'éclairage du tableau de bord sont éteints.

Bouton de démarrage

Le bouton du démarreur (3) se trouve sous le phare (2).

En appuyant sur le bouton de démarrage, le démarreur lance le moteur. Si l'interrupteur d'arrêt du moteur est positionné sur  (OFF), le démarreur ne fonctionne pas. Pour la méthode de démarrage, se reporter aux page 43.



- (1) Interrupteur d'arrêt du moteur
- (2) Contacteur du phare
- (3) Bouton de démarreur

COMMANDES AU BRAS GAUCHE DU GUIDON

Inverseur code-phare (1)

Placer le commutateur phare-code sur ☰ (HI) pour le feu de route et sur ☷ (LO) pour le code.

Bouton d'appel de phare (2)

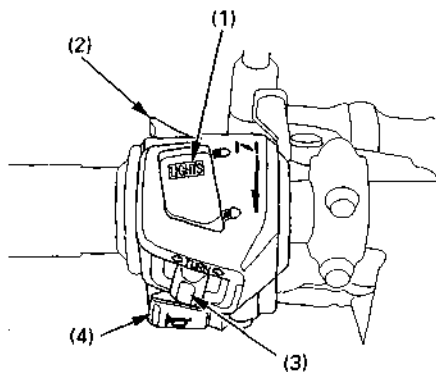
Appuyer sur ce bouton pour faire des appels de phares aux véhicules qui viennent d'en face ou que l'on s'apprête à dépasser.

Inverseur de clignotant (3)

Placer le clignotant sur la position ⇐ (L) pour signaler une intention de tourner à gauche. Le placer sur la position ⇒ (R) pour signaler une intention de tourner à droite. Appuyer sur le clignotant pour l'éteindre.

Bouton d'avertisseur sonore (4)

Appuyer sur ce bouton pour faire fonctionner l'avertisseur sonore.



- (1) Inverseur code/phare
- (2) Contacteur d'appel de phare
- (3) Interrupteur de clignotant
- (4) Bouton d'avertisseur sonore

CARACTERISTIQUES

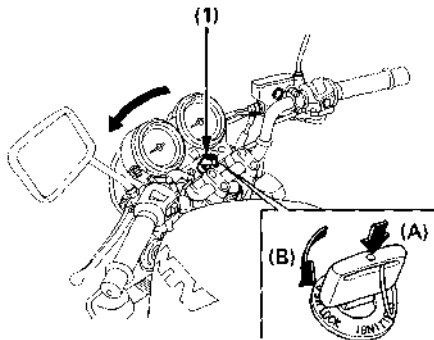
(Non nécessaires pour le pilotage)

ANTIVOL DE DIRECTION

Pour verrouiller la direction, tourner le guidon à fond vers la gauche ou vers la droite, puis tourner la clé (1) sur LOCK tout en l'enfonçant. Retirer la clé.

ATTENTION

* Ne pas tourner la clé sur LOCK pendant la marche, au risque de perdre le contrôle de la moto.



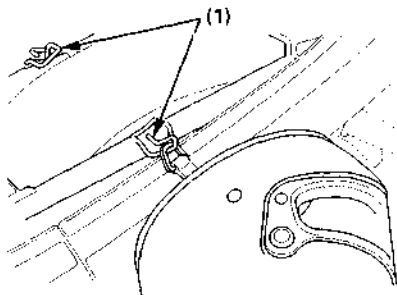
(1) Clé de contact

(A) Enfoncer

(B) Tourner sur LOCK

PORTE-CASQUE

Les porte-casques se trouvent sous la selle. Relever la selle (voir page 39). Suspendre les casques aux crochets (1). Rabaissier la selle et fermer à clé.



(1) Crochets du porte-casque

ATTENTION

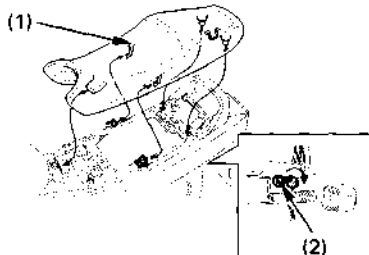
* Le porte-casque est exclusivement destiné à être utilisé lorsque la moto est en stationnement. Ne pas rouler avec un casque accroché au porte-casque. Ceci pourrait affecter la sécurité de la moto et en faire perdre le contrôle.

SELLE

Pour retirer la selle (1), introduire la clé de contact dans la serrure de selle (2), et la tourner dans le sens des aiguilles d'une montre. Tirer la selle en arrière et la relever. Pour remettre la selle en place, introduire le tenon dans le creux sous la traverse de cadre, puis pousser sur l'arrière de la selle vers le bas.

PRECAUTION

* Après la repose, s'assurer que la selle est solidement verrouillée.



(1) Selle

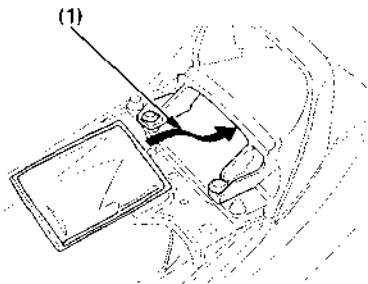
(2) Serrure de selle

COMPARTIMENT A DOCUMENTS

Le compartiment à documents (1) se trouve sous la selle.

Ce manuel du conducteur et les autres documents devraient être rangés dans le compartiment.

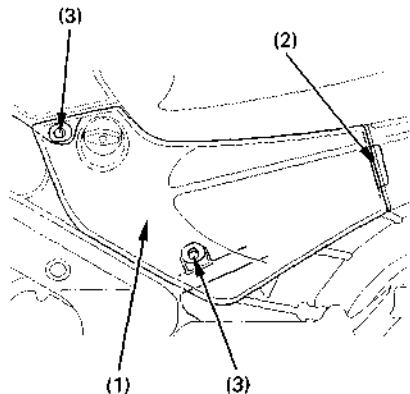
Lors du lavage de votre moto, veillez à ne pas inonder cet endroit.



(1) Compartiment à documents

CACHE LATÉRAL

Pour retirer les caches latéraux droit et gauche (1), sortir les tenons (3), puis tirer doucement le couvercle latéral vers l'avant pour libérer la languette (2).



- (1) Couvercle latéral (3) Griffes
(2) Languette

UTILISATION

CONTROLES AVANT L'UTILISATION

ATTENTION

*** En n'effectuant pas les contrôles avant l'utilisation, on risque de graves blessures corporelles ou des dommages importants du véhicule.**

Contrôler la moto chaque jour avant de piloter. Les contrôles indiqués ci-dessous ne demandent que quelques minutes. A long terme, non seulement ils se traduiront par des économies de temps et de coûts, mais ils sauveront peut-être aussi la vie.

1. Niveau d'huile moteur—faire l'appoint d'huile moteur si nécessaire (page 29). Vérifier s'il n'y a pas de fuites.
2. Niveau d'essence—faire le plein si nécessaire (page 26). Vérifier s'il n'y a pas de fuites.
3. Niveau du liquide de refroidissement—faire l'appoint si nécessaire. Vérifier s'il n'y a pas de fuites (pages 22 - 24).

4. Fonctionnement des freins avant et arrière -- s'assurer qu'il n'y a pas de fuite du liquide de frein (pages 17— 19).
5. Pneus—vérifier leur état et la pression (pages 31— 33).
6. Poignée des gaz—s'assurer qu'elle s'ouvre en douceur et se ferme à fond dans toutes les positions du guidon.
7. Feux et avertisseur sonore —s'assurer que le phare, le feu arrière/stop, les clignotants, les témoins et l'avertisseur sonore fonctionnent correctement.
8. Interrupteur d'arrêt du moteur—s'assurer qu'il fonctionne correctement (page 35).
9. Système de coupure d'allumage de béquille latérale—s'assurer qu'il fonctionne correctement (page 76).

Avant de piloter, corriger tous les points incorrects. Si un problème ne peut être résolu, consulter un concessionnaire agréé Honda.

MISE EN MARCHÉ DU MOTEUR

Toujours démarrer en procédant comme il est indiqué ci-dessous.

Cette moto est dotée d'un système de coupure de l'allumage de béquille latérale.

Le moteur ne peut être mis en marche avec la béquille abaissée que si la boîte de vitesses est au point-mort. Si la béquille latérale est relevée, le moteur peut être mis en marche au point-mort ou en prise si débrayé. Après le démarrage avec la béquille latérale abaissée, le moteur s'arrêtera si la boîte de vitesses est mise en prise.

▲ ATTENTION


- * Ne jamais faire tourner le moteur dans un endroit clos. Les gaz d'échappement contiennent du monoxyde de carbone qui est un gaz toxique pouvant provoquer des évanouissements et être mortel.

NOTE:

- * Ne pas solliciter le démarreur pendant plus de 5 secondes d'affilée. Relâcher le bouton de démarrage pendant environ 10 secondes avant de l'enfoncer à nouveau.

Préparation

Avant de mettre le moteur en marche, introduire la clé, la tourner sur ON et s'assurer que:

- La boîte de vitesses est au point mort (témoin de point mort allumé).
- L'interrupteur d'arrêt du moteur est sur  (RUN).
- Le témoin rouge de basse pression d'huile est allumé.

Méthode de démarrage

Pour remettre en marche un moteur chaud, procéder comme il est indiqué sous "Température atmosphérique élevée".

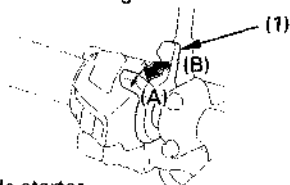
Température atmosphérique normale

10° - 35°C

1. Si le moteur est froid, tirer le levier de starter (1) à fond vers l'arrière (A).
2. Faire démarrer le moteur sans ouvrir la poignée des gaz.

NOTE:

- * Ne pas ouvrir le papillon des gaz quand vous faites démarrer le moteur au starter. Cela risquerait d'appauvrir le mélange et de rendre le démarrage difficile.



- (1) Levier de starter
(A) Position d'ouverture complète
(B) Position de fermeture complète

3. Dès le démarrage du moteur, actionner le levier de starter (1) pour maintenir le régime de ralenti accéléré à :
2.000 - 3.000 min⁻¹ (tr/mn)
4. Trente secondes environ après la mise en marche du moteur, enfoncer à fond le levier de starter (1) vers la position entièrement OFF (B).
5. Si le ralenti est instable, ouvrir légèrement la poignée des gaz.

PRECAUTION

- * Le témoin rouge de basse pression d'huile doit s'éteindre quelques secondes après le démarrage du moteur. S'il reste allumé, arrêter immédiatement le moteur et vérifier le niveau d'huile moteur. Ne pas utiliser le moteur avec une pression d'huile insuffisante car ceci pourrait sérieusement l'endommager.

Température atmosphérique élevée

35°C ou plus

1. Ne pas utiliser le dispositif d'enrichissement à froid.
2. Ouvrir légèrement la poignée des gaz.
3. Mettre le moteur en marche.

Température atmosphérique basse

10 °C ou moins

1. Effectuer les opérations des étapes 1 à 2 décrites sous "Température atmosphérique normale".
2. Lorsque le régime du moteur commence à augmenter, actionner le starter pour maintenir le régime de ralenti à:
2.000 – 3.000 min⁻¹ (tr/mn)
3. Continuer à faire chauffer le moteur jusqu'à ce qu'il tourne régulièrement et réponde aux sollicitations de la poignée des gaz lorsque le levier de starter (1) est sur la position Fully OFF (B).

Moteur noyé

Si le moteur ne démarre pas après plusieurs tentatives, il se peut qu'il soit noyé par un excès d'essence. Pour y remédier, laisser l'interrupteur d'arrêt du moteur sur

○ (RUN) et appuyer sur le starter sur la position de fermeture complète (B). Ouvrir la poignée des gaz à fond et lancer le moteur pendant 5 secondes. Si le moteur démarre, couper rapidement les gaz, avant d'ouvrir légèrement si le régime de ralenti est irrégulier. Si le moteur ne démarre pas, attendre 10 secondes et se reporter à la procédure de démarrage.

RODAGE

Durant le rodage initial, les surfaces nouvellement usinées de la moto sont en contact entre elles et s'usent rapidement. La révision de rodage aux 1.000 km a pour objet de corriger cette petite usure initiale. L'exécution en temps utile de cette révision permettra d'obtenir une durée de service maximale et les meilleures performances du moteur.

Les règles générales à observer sont les suivantes:

1. Ne jamais emballer le moteur lorsqu'il tourne à bas régime. Cette règle n'est pas seulement valable pour le rodage: elle doit être constamment respectée.
2. Durant les 1.000 premiers kilomètres, le régime maximum en continu ne doit pas dépasser 4.000 min^{-1} (tr/mn).
3. Augmenter le régime moteur maximum en continu de 2.000 min^{-1} (tr/mn) entre les indications de 1.000 km et 1.600 km du compteur kilométrique. Conduire sans mollesse, changer fréquemment d'allure et ne rouler à pleins gaz que par petits coups. Ne pas dépasser 6.000 min^{-1} (tr/mn).

4. Lorsque l'indication du compteur kilométrique atteint 1.600 km, il devient possible de rouler à pleins gaz. Toutefois, ne jamais dépasser 8.500 min^{-1} (tr/mn) – indiquée par le début de la zone rouge du compte-tours. (Ne pas laisser l'aiguille du compte-tours pénétrer dans la zone rouge.)

PRECAUTION

- * **Faire tourner le moteur à un régime supérieur au régime maximal spécifié (début de la zone rouge du compte-tours) pourrait endommager le moteur.**

PILOTAGE

▲ATTENTION

- * Avant de piloter, relire les indications données sous "La sécurité de pilotage" (pages 1 - 5).

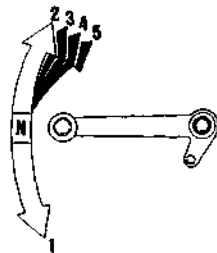
NOTE:

- * Vérifier le fonctionnement du mécanisme de la béquille latérale. (Voir PROGRAMME D'ENTRETIEN à la page 52 et l'explication sur la BEQUILLE LATÉRALE à la page 76 .)
1. Une fois que le moteur est chaud, la moto est prête pour le pilotage.
 2. Avec le moteur au ralenti, serrer le levier d'embrayage et appuyer sur le sélecteur de vitesses pour passer en première.
 3. Relâcher progressivement le levier d'embrayage tout en augmentant le régime moteur à l'aide de la poignée des gaz. Une bonne coordination des manoeuvres de la poignée des gaz et du levier d'embrayage assurera un démarrage efficace en douceur.

4. Lorsque la moto atteint une vitesse modérée, fermer la poignée des gaz, serrer le levier d'embrayage et passer en seconde en remontant la sélecteur de vitesses.

Recommencer cette suite d'opérations pour passer en troisième, quatrième et cinquième.

5. Coordonner le mouvement de la poignée des gaz et des freins pour assurer une décélération régulière.
6. Les freins avant et arrière doivent être utilisés simultanément et ne pas être actionnés au point de bloquer la roue, faute de quoi l'efficacité de freinage serait réduite et le contrôle de la moto difficile.



▲ATTENTION

- * Ne pas rétrograder lorsqu'on roule à une allure qui risque de mettre le moteur en surrégime sur le nouveau rapport. La roue arrière risquerait de perdre de sa traction, ce qui pourrait entraîner une perte de contrôle du véhicule.

PRECAUTION

- * Ne pas changer de vitesse sans avoir débrayé et fermé la poignée des gaz. Le moteur et la transmission pourraient être endommagés par un surrégime et un choc.
- * Ne pas remorquer la moto ni la faire rouler en roue libre sur de longues distances avec le moteur arrêté. La boîte de vitesses ne serait pas correctement lubrifiée et pourrait être endommagée.
- * Pour ne pas endommager la roue, s'arrêter pour monter sur les trottoirs et ne pas frotter la roue contre un obstacle.

NOTE:

- * La batterie ne se rechargera pas si le régime du moteur est proche du ralenti. Éviter de laisser le moteur tourner au ralenti pendant longtemps.

FREINAGE

1. Pour le freinage normal, actionner progressivement les freins avant et arrière tout en rétrogradant sur un rapport adapté à l'allure de la moto.
2. Pour une décélération maximale, fermer la poignée des gaz et actionner énergiquement les freins avant et arrière. Tirer le levier d'embrayage avant que la machine s'arrête complètement afin de prévenir que le moteur ne cale.

ATTENTION

- * L'utilisation d'un seul frein réduit l'efficacité du freinage. Un freinage trop violent peut bloquer une roue et rendre difficile le contrôle du véhicule.
- * Autant que possible, ralentir ou freiner avant d'aborder un virage. En coupant les gaz ou en freinant dans un virage, on risque de patiner et d'éprouver des difficultés à garder le contrôle du véhicule.

ATTENTION

- * Sur des chaussées détrempées, sous la pluie ou sur des sols meubles, la maniabilité et l'efficacité de freinage sont réduites. Dans de telles conditions, les manoeuvres ne doivent pas être brusques. Des accélérations, des freinages ou des braquages brutaux peuvent faire perdre le contrôle du véhicule. Par sécurité, être extrêmement prudent en freinant, en accélérant ou en tournant.
- * Dans les descentes longues et raides, utiliser le frein moteur en rétrogradant et actionner les deux freins par intermittence. Un freinage continu peut surchauffer les freins et réduire leur efficacité.
- * Si l'on garde le pied sur la pédale de frein ou la main sur le levier de frein, ceci peut allumer le feu stop et induire en erreur les autres usagers. Ceci peut également se traduire par une surchauffe des freins et une perte de leur efficacité.

STATIONNEMENT

1. Après avoir arrêté la moto, passer au point-mort, placer le robinet d'essence sur OFF, tourner le guidon à fond vers la gauche, placer le contacteur d'allumage sur OFF et retirer la clé de contact.
2. En stationnement, mettre la moto en appui sur la béquille latérale.

PRECAUTION

- * **Garer la moto sur un terrain ferme et horizontal pour qu'elle ne risque pas de se renverser.**
 - * **Si l'on doit stationner sur une pente l'égère, diriger l'avant de la moto vers l'amont pour qu'elle ne risque pas de passer par dessus la béquille ou de se renverser.**
3. Verrouiller la direction pour empêcher le vol (page 37).

CONSEILS POUR ÉVITER LE VOL

1. Toujours verrouiller la direction et ne jamais laisser la clé sur le contacteur d'allumage. Cette règle pourtant simple est souvent oubliée.
2. S'assurer que les renseignements sur l'immatriculation de la moto sont exacts et à jour.
3. Ranger autant que possible la moto dans un garage fermant à clé.
4. Utiliser un antivol supplémentaire de bonne qualité.
5. Inscrire ses nom, adresse et numéro de téléphone dans ce manuel et garder toujours celui-ci sur la moto.
Le propriétaire d'une moto volée est souvent identifié par les renseignements qui figurent sur le Manuel du Conducteur.

NOM: _____

ADRESSE: _____

N°DETELEPHONE: _____

ENTRETIEN

- Le programme d'entretien requis précise les intervalles entre chaque entretien, ainsi que les points de contrôle. Il est essentiel de se conformer à ce programme afin que votre motocyclette soit toujours au plus niveau de sécurité, fiabilité et contrôle des gaz d'échappement.
- Ces instructions présupposent que la moto n'est utilisée qu'aux fins auxquelles elle est destinée. Une utilisation continue à grande vitesse ou dans des endroits anormalement mouillés ou poussiéreux demandera un entretien plus fréquent que celui prévu dans le TABLEAU D'ENTRETIEN. Le concessionnaire Honda est à même de fournir des recommandations pour l'usage particulier qui doit être fait de cette moto.

PROGRAMME D'ENTRETIEN

A chaque révision, effectuer les "Contrôles avant l'utilisation (page 41)".

I : CONTROLER ET NETTOYER, REGLER, GRAISSER OU, REMPLACER, SI NECESSAIRE.

C : NETTOYER R : REMPLACER A : REGLER L : GRAISSER

Le programme d'entretien suivant décrit toutes les procédures d'entretien requises pour maintenir votre motocyclette en état parfait. L'entretien sera effectué conformément aux normes et spécifications de Honda, par des mécaniciens expérimentés et avec le matériel adéquat. Votre concessionnaire Honda répond à toutes ces exigences.

ELEMENT	FREQUENCE	CELUI DE CES CAS SE PRESENTANT LE		INDICATION DU TOTALISATEUR KILOMETRIQUE [NOTE (1)]							Se reporter à la page:		
		PREMIER	×	1.000 km	1	6	12	18	24	30		36	
		↓	×	1.000 mi	0,6	4	8	12	16	20		24	
	NOTE	MOIS		6	12	18	24	30	36				
* CANALISATION D'ESSENCE						I			I				
* FONCTIONNEMENT DE LA COMMANDE DES GAZ									I				65
* STARTER						I							
* FILTRE À AIR	(NOTE 2)								R				R
* RENIFLARD DE CARTER-MOTEUR	(NOTE 3)					C	C	C	C	C	C		62
* BOUGIE D'ALLUMAGE						I	R	I	R	I	R		63-64
* JEU AUX SOUPAPES						I				I			
* HUILE MOTEUR						R			R				58-61
* FILTRE A HUILE MOTEUR						R			R				59-61
* SYNCHRONISATION DES CARBURATEURS						I				I			
* VITESSE DE RALENTI DU MOTEUR						I	I	I	I	I	I		66
* LIQUIDE DE REFROIDISSEMENT DU RADIATEUR	(NOTE 4)								I				R 22-24
* CIRCUIT DE REFROIDISSEMENT									I				-
* SYSTÈME D'ALIMENTATION EN AIR SECONDAIRE	(NOTE 5)								I				-

ELEMENT	FREQUENCE	CELUI DE CES CAS SE PRESENTANT LE		INDICATION DU TOTALISATEUR KILOMETRIQUE (NOTE (1))								Se reporter à la page:
		PREMIER	×	1.000 km	1	6	12	18	24	30	36	
		↓	×	1.000 mi	0,6	4	8	12	16	20	24	
	NOTE	MOIS		6	12	18	24	30	36			
HUILE DE CARTER DE PONT ARRIERE										R	67	
LIQUIDE DE FREIN	(NOTE 4)						R			R	17-19	
USURE DES PLAQUETTES DE FREIN											74-75	
SYSTEME DE FREINAGE											17-19	
* CONTACTEUR DE FEU-STOP											82	
* REGLAGE DU FAISCEAU DE PHARE											--	
SYSTEME D'EMBRAYAGE											20-21	
BECUILLE LATERALE											78	
* SUSPENSION											--	
* ECROUS, BOULONS, FIXATIONS											--	
** ROUES/PNEUS											--	
** ROULEMENTS DE TETE DE DIRECTION											--	

- * CET ENTRETIEN DOIT ÊTRE EFFECTUÉ PAR UN CONCESSIONNAIRE AGRÉÉ HONDA À MOINS QUE L'UTILISATEUR NE DISPOSE DES OUTILS APPROPRIÉS ET NE SOIT MÉCANIQUEMENT QUALIFIÉ. IL SE REPORTERA DANS CE CAS AU MANUEL D'ATELIER OFFICIEL HONDA.
- ** PAR MESURE DE SÉCURITÉ, IL EST RECOMMANDÉ DE NE CONFIER L'ENTRETIEN DE CES POINTS QU'À UN CONCESSIONNAIRE AGRÉÉ HONDA.

Honda recommande de demander à votre concessionnaire Honda de faire un essai sur route de la motocyclette après chaque entretien périodique.

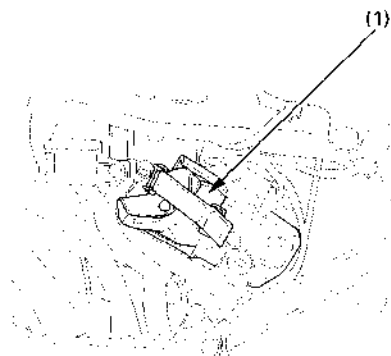
- NOTES:
- (1) Au-delà du kilométrage indiqué, effectuer l'entretien en respectant les intervalles indiqués ci-dessus.
 - (2) Augmenter la fréquence d'entretien en cas d'utilisation dans des conditions anormalement humides ou poussiéreuses.
 - (3) Augmenter la fréquence d'entretien en cas d'utilisation sous la pluie ou à pleins gaz.
 - (4) Remplacer tous les 2 ans, ou aux intervalles du compteur kilométrique indiqués, selon le cas se présentant le premier. Le remplacement nécessite des connaissances mécaniques.
 - (5) Type pour la Suisse seulement.

TROUSSE A OUTILS

La trousse à outils (1) se trouve dans la boîte à outils sous le cache latéral droit (page 40).

Les outils qu'elle contient permettent de faire quelques réparations de première urgence, de petits réglages et des remplacements de pièces.

- Clé plate de 10 × 12 mm
- Clé plate de 14 × 17 mm
- Pinces
- Clé hexagonale coudée de 6 mm
- Tournevis N° 2
- Tournevis cruciforme N° 2
- Manche de tournevis
- Manche de tournevis en T
- Clé polygonale de 17 mm
- Clé polygonale de 10 × 12 mm
- Clé polygonale de 22 mm
- Clé polygonale de 27 mm
- Barre de rupteur
- Clé à bougie
- Trousse à outils



(1) Trousse à outils

NUMEROS DE SERIE

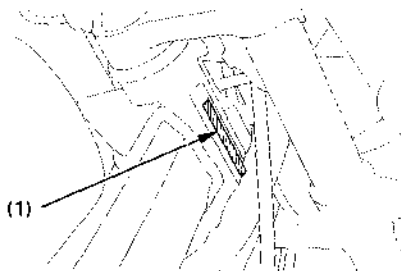
Les numéros de série du cadre et du moteur sont nécessaires lors de l'immatriculation de la moto. Ils peuvent également être demandés par le concessionnaire lors d'une commande de pièces de rechange.

Les noter ci-dessous pour pouvoir les retrouver facilement.

Le numéro de cadre (1) est estampé sur le côté droit de la colonne de direction.

Les numéros de série du moteur (2) est estampé sur le côté droit du cylindre.

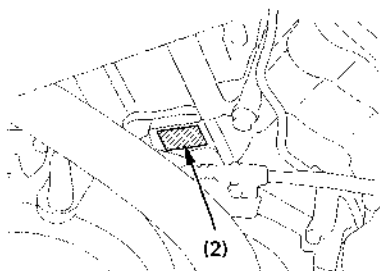
N° DE CADRE _____



(1) Numéro du cadre

56

N° DE MOTEUR _____



(2) Numéro du moteur

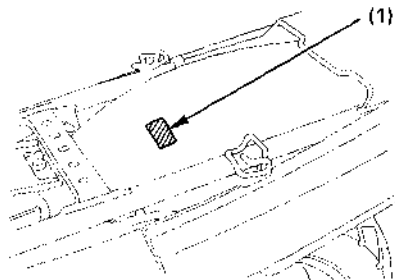
ETIQUETTE DE COLORIS

L'étiquette de coloris (1) se trouve sur le garde-boue sous la selle.

Elle est utile lors de la commande de pièces de rechange. Noter le coloris et le code ci-dessous pour pouvoir les retrouver facilement.

COLOUR _____

CODE _____



(1) Etiquette de coloris

PRECAUTIONS POUR L'ENTRETIEN

ATTENTION

- * Si la moto a été renversée ou accidentée, vérifier si les leviers de commande, les câbles, les flexibles de frein, les étriers, les accessoires et les autres pièces essentielles n'ont pas été endommagés. Ne pas rouler si les dommages rendent l'utilisation hasardeuse. Faire vérifier par un concessionnaire Honda si les éléments principaux, et en particulier le cadre, la suspension et les pièces de la direction, ne présentent pas un désalignement ou un dommage que l'on n'a pas pu soi-même détecter.
- * Avant toute intervention, arrêter le moteur et soutenir solidement la moto sur une surface ferme et horizontale.
- * Pour l'entretien ou les réparations, utiliser des pièces d'origine Honda neuves ou leur équivalent. Des pièces de qualité inférieure peuvent affecter la sécurité de la moto.

HUILE MOTEUR

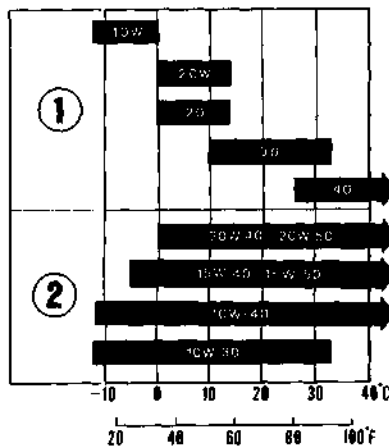
(Se reporter aux précautions d'entretien à la page 57.)

Huile Moteur

Une bonne huile moteur est déterminante pour le fonctionnement et l'état du moteur. N'utiliser qu'une huile moteur hautement détergente de qualité supérieure, répondant aux prescriptions pour la classification service API SE, SF ou SG, ou les dépassant.

Viscosité:

La viscosité de l'huile doit être basée sur la température atmosphérique moyenne du lieu d'utilisation. On trouvera ci-dessous un guide pour le choix du grade ou de la viscosité de l'huile à utiliser selon les différentes températures atmosphériques.



(1) Monograde

(2) Multigrade

Huile moteur et filtre à huile

La qualité de l'huile moteur est un facteur essentiel à la prolongation de la durée de vie utile du moteur.

Renouveler l'huile moteur conformément aux spécifications du calendrier d'entretien (page 52).

Le remplacement du filtre à huile demande l'utilisation d'une clé dynamométrique et d'un outil spécial pour filtre. Nous conseillons aux personnes qui n'ont pas les connaissances nécessaires ou qui ne disposent pas de ces outils de confier ce remplacement à un distributeur Honda agréé.

Si une clé dynamométrique n'a pas été utilisée pour effectuer ce remplacement, demander dès que possible à un distributeur Honda agréé de procéder à la vérification du montage.

NOTE:

- * Renouveler l'huile moteur avec le moteur à la température normale de fonctionnement et avec la moto sur sa béquille latérale. Ceci permet une vidange plus rapide et plus complète.

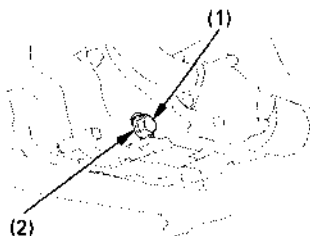
PRECAUTION

- * **Pour ne pas risquer de fuites d'huile et une détérioration du filtre, ne jamais faire soutenir le moteur par le filtre à huile.**

1. Pour vidanger l'huile, retirer le bouchon de remplissage d'huile, le bouchon de vidange d'huile (1) et la rondelle d'étanchéité (2).

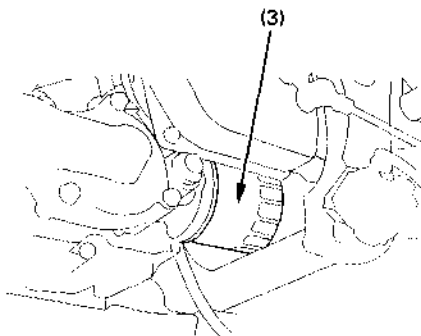
ATTENTION

- * **Le moteur et l'huile à l'intérieur sont chauds: prendre garde de ne pas se brûler.**



- (1) Bouchon de vidange d'huile
- (2) Rondelle d'étanchéité

2. Déposer le filtre à huile (3) à aide d'une clé à filtre et laisser s'écouler l'huile résiduelle. Jeter le filtre à huile.
3. S'assurer que le nouveau joint torique de filtre à huile est en bon état.

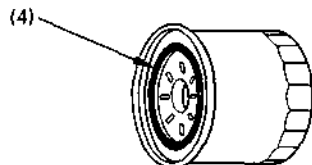


(3) Filtre à huile

4. Passer une mince couche d'huile moteur sur le nouveau joint en caoutchouc du filtre à huile (4).
5. Poser un filtre à huile neuf à l'aide de l'outil spécial et d'une clé dynamométrique et serrer au couple de:
10 N·m (1,0 kgf·m)

N'utiliser que le filtre à huile Honda d'origine ou un filtre de qualité équivalente spécifié pour le modèle.

L'utilisation d'un filtre Honda incorrect ou d'un filtre d'une autre marque dont la qualité n'est pas équivalente peut entraîner des dommages du moteur.



(4) Joint en caoutchouc de filter à huile

6. S'assurer que la rondelle d'étanchéité du bouchon de vidange est en bon état et remettre le bouchon en place. Remplacer la rondelle d'étanchéité tous les deux renouvellements d'huile ou à chaque renouvellement si nécessaire.

Couple de serrage du bouchon de vidange:
34 N·m (3,5 kgf·m)

7. Remplir le carter moteur avec l'huile de la catégorie préconisée, d'environ:
2,6 l

8. Remettre le bouchon de remplissage d'huile en place.

9. Mettre le moteur en marche et le laisser tourner au ralenti pendant 2 ou 3 minutes.

10. Arrêter le moteur et s'assurer que l'huile atteint le repère de niveau maximum de la jauge avec la moto à la verticale sur un sol ferme et horizontal. s'assurer qu'il n'y a pas de fuites d'huile.

NOTE:

* En cas d'utilisation dans des endroits très poussiéreux, la fréquence de renouvellement de l'huile doit être supérieure à celle indiquée dans le tableau d'entretien.

NOTE:

* Se débarrasser de l'huile moteur usée sans dégrader l'environnement. Il est recommandé de la porter à la déchetterie ou au garage local dans un bidon fermé. Ne pas la jeter aux ordures, sur le sol ou à l'égout.

PRECAUTION

* **L'huile usée du moteur peut provoquer le cancer de la peau si elle reste longtemps en contact avec la peau. Bien que le risque soit très limité si l'on ne manipule pas d'huile quotidiennement, il est toutefois recommandé de se laver les mains avec de l'eau et du savon dès que possible après un contact avec de l'huile usée.**

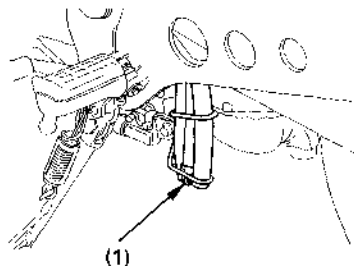
RENIFLARD DE CARTER MOTEUR

(Se reporter aux précautions d'entretien à la page 57.)

1. Retirer le capuchon du tuyau de reniflard de carter (1) et évacuer les dépôts dans un récipient approprié.
2. Remettre le capuchon du tuyau de reniflard de carter.

NOTE:

- * Augmenter la fréquence d'entretien en cas d'utilisation sous la pluie ou à pleins gaz, ou encore si la moto a été lavée ou renversée. Vidanger le reniflard si le niveau de dépôts est visible dans la partie transparente du tuyau de vidange.



(1) Capuchon du tuyau de reniflard de carter

BOUGIES D'ALLUMAGE

(Se reporter aux précautions d'entretien à la page 57.)

Bougies recommandées:

Standard:

DPR8EA-9 (NGK) ou
X24EPR-U9 (DENSO)

Pour climats froids: (moins de 5°C)

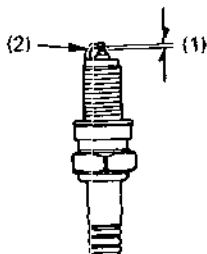
DPR7EA-9 (NGK) ou
X22EPR-U9 (DENSO)

Pour une conduite prolongée à grande vitesse:

DPR9EA-9 (NGK) ou
X27EPR-U9 (DENSO)

1. Débrancher les capuchons des bougies.
2. Nettoyer toute saleté autour de la base de bougie. Retirer la bougie en utilisant la clé à bougie fournie dans la trousse à outils.

3. Vérifier si les électrodes et la porcelaine centrale ne sont pas encrassées, abîmées ou calaminées. Si la détérioration ou les dépôts de calamines sont importants, remplacer la bougie. Décalaminer ou dégrasser la bougie avec un nettoyeur de bougies ou une brosse métallique.
4. Vérifier l'écartement des électrodes (1) de la nouvelle bougie à l'aide d'un calibre d'épaisseur. Si un réglage est nécessaire, plier avec soin l'électrode latérale (2).
L'écartement des électrodes doit être de:
0,80 – 0,90 mm



- (1) Ecartement des électrodes de la bougie
(2) Electrode latérale

5. Avec la rondelle de bougie en place, visser la nouvelle bougie à la main pour ne pas risquer d'endommager son filetage.
6. Si la bougie est neuve, la serrer d'un demi-tour avec une clé à bougie pour comprimer la rondelle. Si la bougie est réutilisée, il suffit de la serrer de 1/8 e à 1/4 de tour après que la bougie vient en butée.
7. Reposer les capuchons des bougies d'allumage.
8. Installer le pare-chaaleur.

PRECAUTION

- * La bougie d'allumage doit être correctement serrée. Une bougie d'allumage mal serrée peut devenir très chaude et endommager le moteur.
- * Ne pas utiliser une bougie d'allumage de degré thermique incorrect. Le moteur pourrait être sérieusement endommagé.

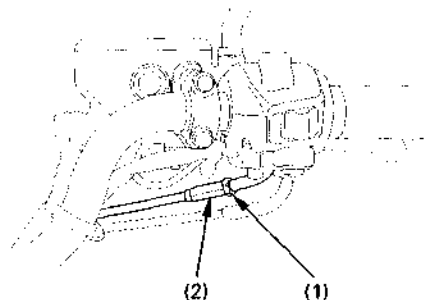
FONCTIONNEMENT DE LA COMMANDE DES GAZ

(Se reporter aux précautions d'entretien à la page 57.)

1. S'assurer que la poignée des gaz s'ouvre en douceur au maximum et se ferme automatiquement à fond dans toutes les positions du guidon.
2. Mesurer la garde à la poignée des gaz sur le rebord.

La garde standard est d'environ:
2,0–6,0 mm

Pour régler la garde, desserrer le contre-écrou (1) et tourner le tendeur (2).



(1) Contre-écrou

(2) Réglage

RÉGIME DE RALENTI

(Se reporter aux précautions d'entretien à la page 57.)

Pour un réglage du régime de ralenti précis, le moteur doit être à la température normale de fonctionnement. Dix minutes de conduite avec des arrêts et marches répétés suffisent.

NOTE:

* Ne pas essayer de compenser des défauts dans d'autres systèmes en ajustant le régime de ralenti. Consulter un concessionnaire de Honda pour les réglages périodiques du carburateur, y compris les ajustements et la synchronisation de carburateur individuel.

1. Echauffer le moteur, passer au point-mort et placer la moto sur sa béquille latérale.
2. Régler le régime de ralenti avec la vis butée (1).

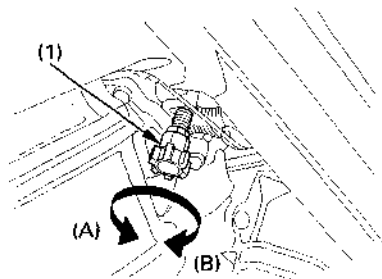
Régime de ralenti

Type ED, E, F, G, IIG, IIIG, SP, H:

$1.200 \pm 100 \text{ min}^{-1}$ (tr/mn) (au point-mort)

Type SW:

$1.200 \pm 50 \text{ min}^{-1}$ (tr/mn) (au point-mort)



(1) Vis de butée des gaz

(A) Augmenter

(B) Réduire

HUILE DE CARTER DE PONT ARRIERE

(Se reporter aux précautions d'entretien à la page 57.)

Renouveler l'huile aux intervalles prescrits dans le tableau d'entretien.

NOTE:

* Renouveler l'huile avec le carter de pont à la température normale de fonctionnement et la moto à la verticale sur un sol horizontal. Ceci assurera une vidange rapide et complète.

1. Pour vidanger l'huile, retirer le bouchon de remplissage d'huile (1) et le bouchon de vidange (2).
2. Après que l'huile a été complètement vidangée, s'assurer que la rondelle d'étanchéité (3) du bouchon de vidange est en bon état et remettre le bouchon de vidange en place.

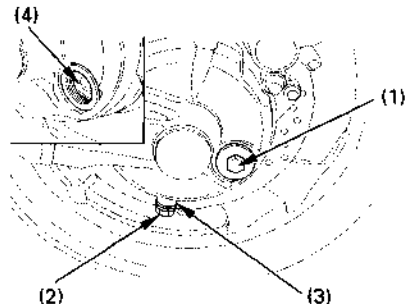
Couple de serrage du bouchon de vidange:
12 N·m (1,2 kgf·m)

3. Avec la moto à la verticale sur un sol horizontal, faire le plein du carter de pont avec l'huile de la qualité préconisée. La capacité est d'environ:

110 cm³

S'assurer que le pont arrière est rempli jusqu'au bord inférieur de l'orifice de contrôle (4).

4. Reposer le bouchon de remplissage d'huile.



- (1) Bouchon de remplissage d'huile
- (2) Bouchon de vidange d'huile
- (3) Rondelle d'étanchéité
- (4) Orifice de contrôle

DEPOSE DES ROUES

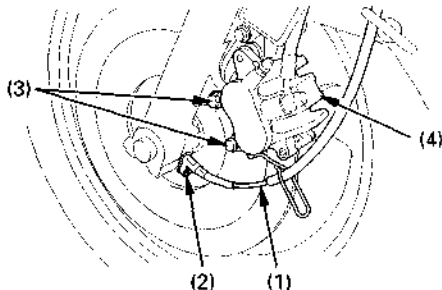
(Se reporter aux précautions d'entretien à la page 57.)

NOTE:

- * Cette moto n'est équipée que d'une béquille latérale. Par suite, pour déposer la roue avant ou arrière, il est nécessaire de soulever le milieu de la moto à l'aide d'un cric ou d'un autre support solide. Si l'on n'en dispose pas, confier cette intervention à un concessionnaire agréé Honda.

Dépose de la roue avant

1. Décoller la roue avant du sol en plaçant un support sous le moteur.
2. Désaccoupler le câble de compteur de vitesse (1) en retirant la vis de fixation du câble (2).
3. Retirer les boulons de montage de l'étrier de frein (3) et déposer l'étrier de frein (4).

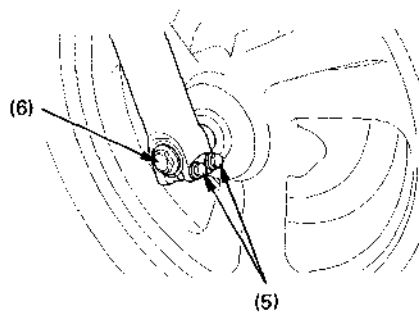


- (1) Câble de compteur de vitesse
- (2) Vis de fixation du câble de compteur de vitesse
- (3) Boulons de montage de l'étrier de frein
- (4) Etrier de frein

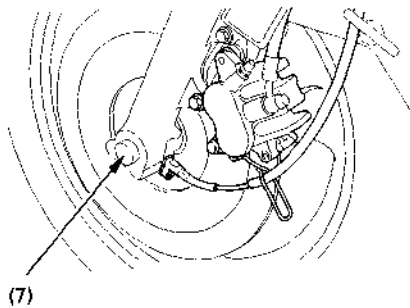
- Desserrer les boulons de bridage d'axe droit et gauche (5) et déposer le boulon d'axe (6).
- Extraire l'axe avant (7) et déposer la roue avant.

NOTE:

* Ne pas appuyer sur la pédale de frein lorsque la roue à été déposée de la moto. Le piston d'étrier serait chassé hors du cylindre et le liquide de frein s'échapperait. Dans un tel cas, le circuit de freinage doit être révisé. Confier cette opération à un concessionnaire Honda agréé.



(5) Boulons de bridage d'axe de roue
(6) Boulon d'axe



(7) Axe avant

Notes pour la repose:

- S'assurer que la languette (8) sur patte de fourche touche la languette sur le boîtier de pignon de compteur de vitesse. Serrer le boulon d'axe et les boulons de bridage d'axe aux couples de serrage spécifiés.

Couple de serrage de boulon d'axe:

59 N·m (6,0 kgf·m)

Couple de serrage des boulons de bridage d'axe:

22 N·m (2,2 kgf·m)

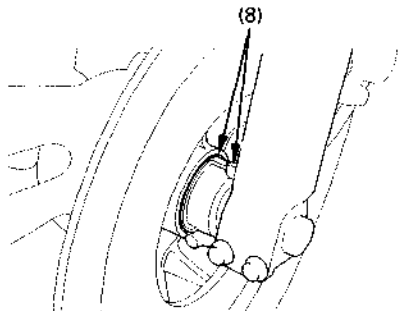
- Placer l'étrier sur le disque, en faisant attention à ne pas endommager les plaquettes de frein. Reposer les boulons de fixation de l'étrier et les serrer à un couple de serrage de:

30 N·m (3,1 kgf·m)

- Accoupler le câble du compteur de vitesse à l'aide de la vis de fixation.
- Après avoir reposé la roue, serrer le frein à plusieurs reprises et s'assurer que la roue tourne librement lorsqu'on le relâche. Vérifier de nouveau la roue si le frein frotte ou si la roue ne tourne pas librement.

ATTENTION

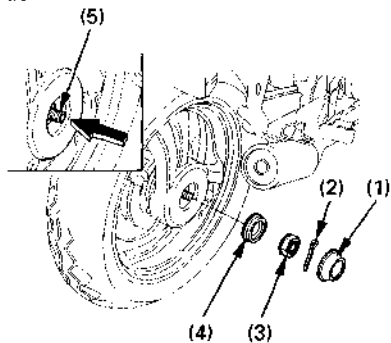
- Si une clé dynamométrique n'a pas été utilisée pour le serrage, faire vérifier aussitôt que possible le montage par un concessionnaire Honda. Un montage incorrect peut se traduire par une perte de l'efficacité de freinage.



(8) Ergots

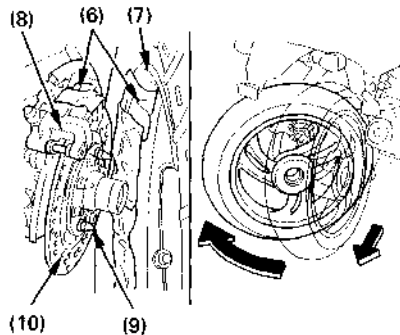
Dépose de la roue arrière

1. Décoller la roue avant du sol en plaçant un support sous le moteur.
2. Retirer le chapeau (1), la goupille fendue (2), l'écrou d'axe de roue (3), puis déposer l'entretoise centrale d'axe de roue (4).
3. Pousser l'axe de roue (5) dans le moyeu de roue.



- (1) Capuchon
(2) Clavette
(3) Ecrou d'axe
(4) Bague centrale d'axe
(5) Axe

4. Fixer les bandes (6) à la jante de roue (7) et à l'étrier (8) pour ne pas risquer d'endommager la roue.
5. Retirer la roue des ergots d'entraînement (9) et la tirer en arrière pour qu'elle vienne entre le disque de frein (10) et le silencieux.
6. Pivoter la roue vers la gauche et la tirer vers l'arrière comme le représente la figure.



- (6) Bandes
(7) Jante de roue
(8) Etrier de frein
(9) Ergots d'entraînement
(10) Disque de frein

Notes pour la repose:

- Reposer l'axe de roue en faisant coïncider la cannelure avec le moyeu de roue.
- Passer de la graisse sur le filetage de l'axe de roue.
- Nettoyer les surfaces conjuguées du moyeu et de la roue.
- Reposer la roue arrière et faire coïncider les index (11) du moyeu avec la roue.
- Poser solidement la nouvelle goupille fendue et le chapeau.
- Serrer les écrous d'axe de roue au couple spécifié:

Couple de serrage d'écrou d'axe de roue:
118 N·m (12,0 kgf·m)

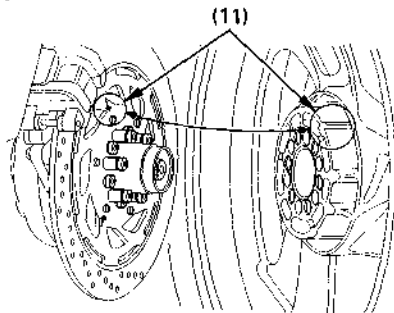
Après avoir reposé la roue, serrer le frein à plusieurs reprises et s'assurer que la roue tourne librement lorsqu'on le relâche. Vérifier de nouveau la roue si le frein frotte ou si la roue ne tourne pas librement.

ATTENTION

- * Si une clé dynamométrique n'a pas été utilisée pour le serrage, faire vérifier aussitôt que possible le montage par un concessionnaire Honda. Un montage incorrect peut se traduire par une perte de l'efficacité de freinage.

PRECAUTION

- * Toujours remplacer les goupilles fendues par des neuves.



(11) Repère d'index

INSPECTION DE SUSPENSION AVANT ET ARRIERE

(Se reporter aux précautions d'entretien à la page 57.)

1. Contrôler l'ensemble de la fourche en bloquant le frein et en comprimant la fourche vigoureusement. Le mouvement de la suspension doit être doux et il ne doit pas y avoir de fuites d'huile.
2. Les roulements de bras oscillant doivent être vérifiés en poussant durement contre le côté de la roue arrière alors que la motocyclette se trouve sur une cale de support. Le jeu libre indique les roulements usés.
3. Vérifier avec soin le serrage de toutes les fixations des suspension avant et arrière.

USURE DES PLAQUETTES DE FREIN

(Se reporter aux précautions d'entretien à la page 57.)

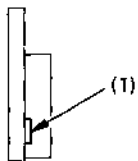
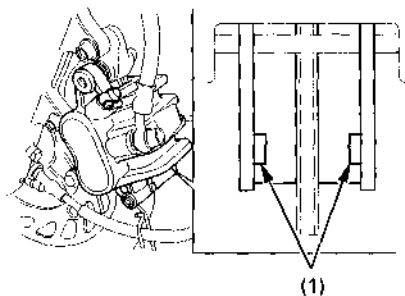
L'usure de plaquette de frein dépend de la sévérité de l'usage, du type de conduite et des conditions de la route. (En général, les plaquettes s'useront plus vite sur des routes mouillées et sales.)

Vérifier les plaquettes à chaque intervalle d'entretien régulier (page 53).

Frein avant

Vérifier la découpe (1) dans chaque plaquette. Si l'une des plaquettes est usée jusqu'à la découpe, remplacer les deux plaquettes ensemble. Consulter votre concessionnaire Honda pour ce service.

< FREIN AVANT >



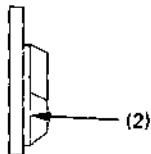
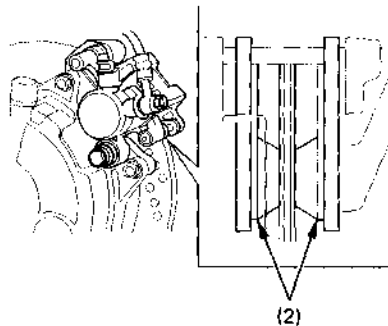
(1) Découpe

Frein arrière

Vérifier la marque d'indicateur d'usure (2) sur chaque plaquette.

Si l'une des plaquettes est usée jusqu'à la marque d'indicateur d'usure, remplacer les deux plaquettes ensemble. Consulter votre concessionnaire Honda pour ce service.

< FREIN ARRIERE >



(2) Marque d'indicateur d'usure

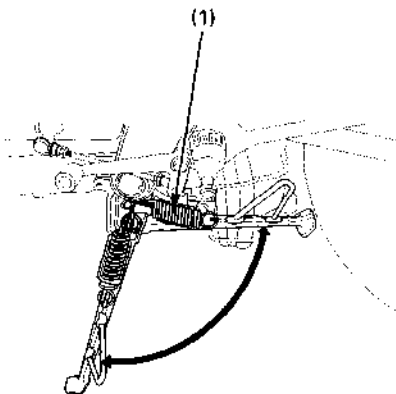
BÉQUILLE LATÉRALE

(Se reporter aux précautions d'entretien à la page 57.)

Vérifier si le système de béquille latérale fonctionne correctement.

- Vérifier si le ressort (1) de la béquille latérale n'est pas endommagé et s'il n'a pas perdu de sa tension. S'assurer de la liberté de mouvement de l'ensemble de la béquille latérale.
- Vérifier le système de coupure d'allumage par béquille latérale:
 1. S'asseoir à califourchon sur la moto, relever la béquille latérale et passer au point-mort.
 2. Mettre le moteur en marche et, avec le levier d'embrayage serré, engager un rapport.
 3. Abaisser la béquille latérale. Le moteur doit s'arrêter lorsqu'on abaisse la béquille latérale.

Si le système de la béquille latérale ne fonctionne pas comme indiqué, le faire réparer par son concessionnaire Honda.



(1) Ressort

BATTERIE

(Se reporter aux précautions d'entretien à la page 57.)

Il n'est pas nécessaire de vérifier le niveau d'électrolyte de la batterie ou de faire l'appoint d'eau distillée car la batterie est de type sans entretien (scellée). Si la batterie semble faible et/ou si l'on constate des pertes d'électrolyte (provoquant des difficultés au démarrage ou d'autres problèmes électriques), s'adresser à un concessionnaire Honda.

PRECAUTION

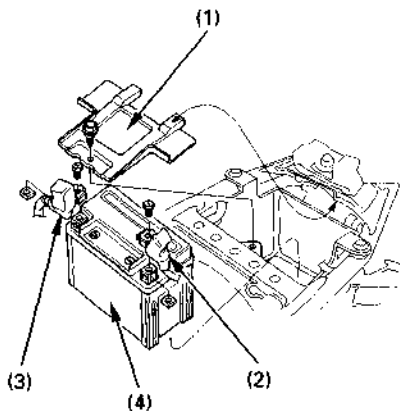
- * Ne pas retirer le protecteur des bouchons de la batterie car ceci le détériorerait, entraînerait des fuites et endommagerait la batterie.
- * Si la moto doit rester longtemps inutilisée, déposer la batterie de la moto et la charger entièrement.
La ranger ensuite dans un endroit frais et sec. Si la batterie doit rester sur la moto, débrancher le câble négatif à la borne de la batterie.

ATTENTION

- * La batterie dégage des gaz explosifs. Ne pas autoriser d'étincelles, flammes ou cigarettes à proximité. Lors de la recharge ou de l'utilisation de la batterie dans un endroit clos, s'assurer que l'aération est suffisante.
- * La batterie contient de l'acide sulfurique (électrolyte). Un contact avec la peau ou les yeux peut provoquer de graves brûlures. Porter des vêtements protecteurs et un masque.
 - En cas de contact de l'électrolyte avec la peau, rincer à l'eau.
 - En cas de contact avec les yeux, rincer à l'eau pendant au moins 15 minutes et appeler un médecin.
- * L'électrolyte est un poison.
 - En cas d'absorption, boire de grandes quantités d'eau ou de lait. Absorber ensuite du lait de magnésie ou de l'huile végétale et appeler un médecin.
- * TENIR HORS DE PORTEE DES ENFANTS.

Dépose de la batterie:

1. Retirer la selle (page 39).
2. Déposer le couvercle de la batterie (1) en retirant les boulons de montage.
3. Débrancher tout d'abord le câble négatif (-) (2) de la batterie, puis débrancher le câble positif (+) (3).
4. Extraire la batterie (4) du boîtier de batterie.



- (1) Couvercle de batterie
- (2) Borne négative (-)
- (3) Borne positive (+)
- (4) Batterie

REPLACEMENT DES FUSIBLES

(Se reporter aux précautions d'entretien à la page 57.)

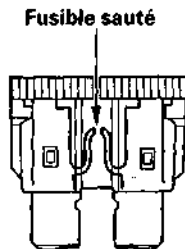
Si les fusibles sautent fréquemment, c'est généralement le signe d'un court-circuit ou d'une surcharge dans le circuit électrique. Confier dans ce cas la réparation à un concessionnaire Honda.

PRECAUTION

* Avant de contrôler ou de remplacer les fusibles, placer le contacteur d'allumage sur OFF pour empêcher un court-circuit accidentel.

ATTENTION

* Ne jamais utiliser un fusible de calibre différent de celui qui est prescrit. Ceci pourrait endommager sérieusement le circuit électrique ou provoquer un incendie, avec une perte dangereuse des feux ou de la puissance du moteur.



Boîte à fusibles:

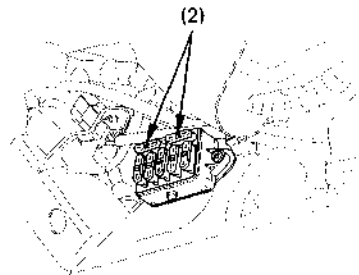
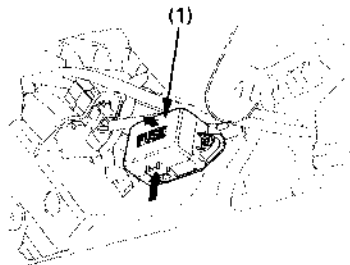
La boîte à fusibles se trouve derrière le cache latéral droit. L'ampérage spécifié des fusibles est:

10A, 15A

1. Déposer le cache latéral droit (page 40).
2. Déposer le couvercle de la boîte à fusibles (1).
3. Retirer l'ancien fusible et poser un fusible neuf.

Les fusibles de rechange (2) se trouvent dans la boîte à fusibles.

4. Installer le couvercle de la boîte à fusibles, puis le couvercle de droite.



- (1) Couvercle de boîte à fusibles
(2) Fusibles de rechange

Fusible principal:

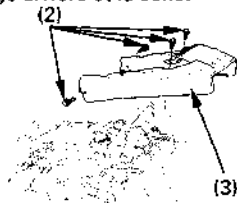
Le fusible principal (1) se trouve derrière le carénage arrière. Le fusible spécifié est:

30A

1. Retirer la selle (page 39).
2. Retirer les quatre boulons (2) et déposer le carénage arrière (3).
3. Débrancher le connecteur de fils (4) du contacteur magnétique de démarreur.
4. Extraire l'ancien fusible et poser un fusible neuf.

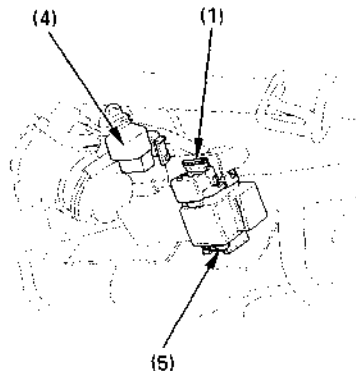
Le fusible de rechange (5) se trouve le support de contacteur magnétique de démarreur.

5. Rebrancher le connecteur et installer le carénage arrière et la selle.



(2) Boulons

(3) Carénage arrière



(1) Fusible principal

(4) Connecteur de fil

(5) Fusible de

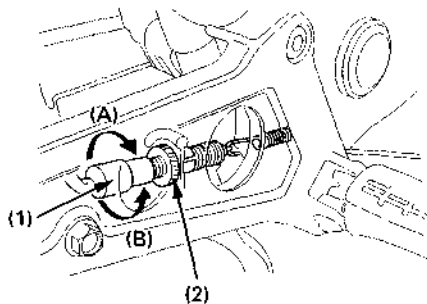
rechange

REGLAGE DU FEU STOP

(Se reporter aux précautions d'entretien à la page 57.)

Vérifier de temps à autre le fonctionnement du contacteur de feu stop (1) situé à droite derrière le moteur.

Pour le régler, tourner l'écrou de réglage (2). Tourner l'écrou dans le sens (A) si le fonctionnement du contacteur est trop tardif et dans le sens (B) s'il est prématuré.



- (1) Contacteur de feu de stop
- (2) Ecrou de réglage

NETTOYAGE

Nettoyer régulièrement la moto pour en protéger le fini de surface. Vérifier également si elle n'est pas endommagée ou usée et si elle ne présente pas de fuites d'huile, de liquide de refroidissement ou de liquide de frein.

PRECAUTION

*** De l'eau (ou de l'air) sous haute pression peut endommager certaines pièces de la moto.**

Eviter de vaporiser de l'eau sous haute pression (cas type: dispositif de lavage automatique des voitures) sur les parties suivantes:

Sortie de silencieux	Carburateurs
Instruments de bord	Moyeux de roue
Contacteur d'allumage	Dessous de selle
Maître-cylindre de frein	
Commandes du guidon	
Dessous de réservoir d'essence	

1. Après le nettoyage, rincer entièrement la moto avec une grande quantité d'eau propre. Des restes de détergent puissant risquent de corroder les pièces en alliage.

NOTE:

* Nettoyer les pièces en plastique à l'aide d'un chiffon ou d'une éponge trempée dans une solution de détergent neutre et d'eau. Frotter doucement la zone salie en la rinçant fréquemment avec de l'eau fraîche.

2. Sécher la moto, mettre le moteur en marche et le faire tourner pendant quelques minutes.
3. Avant de piloter, tester les freins. Il pourra être nécessaire d'actionner plusieurs fois les freins pour qu'ils retrouvent leur efficacité normale.

ATTENTION

*** Juste après le lavage de la moto, le freinage peut perdre temporairement de son efficacité. Pour ne pas risquer un accident, prévoir de plus grandes distances pour le freinage.**

Entretien des roues en aluminium

L'aluminium peut se corroder au contact de la saleté, de la boue ou du sel de la route. Nettoyer les roues après avoir roulé sur l'une de ces substances. Utiliser une éponge mouillée et un détergent doux. Ne pas utiliser une brosse dure, de la paille de fer ou de produits de nettoyage contenant des abrasifs ou des composés chimiques.

Après le lavage, rincer avec beaucoup d'eau et sécher avec un chiffon propre.

Passer de la peinture de retouche sur la partie des roues endommagée.

GUIDE DE REMISAGE

Avant un remisage prolongé, pour l'hiver par exemple, il est nécessaire de prendre certaines précautions pour éviter que la moto ne se détériore par suite à son inutilisation. Si des réparations sont nécessaires, elles doivent être effectuées AVANT le remisage de la moto: elles risqueraient autrement d'être oubliées lors de la remise en service.

REMISAGE

1. Renouveler l'huile moteur et remplacer le filtre à huile.
2. S'assurer que le circuit de refroidissement est rempli d'une solution antigel à 50%.
3. Vidanger le réservoir d'essence dans un récipient à essence approuvé en utilisant un siphon à main disponible dans le commerce ou une méthode équivalente. Vaporiser l'intérieur du réservoir avec une huile antirouille en aérosol. Reposer le bouchon de remplissage d'essence sur le réservoir.

NOTE:

- * La vidange du carburateur est très importante si le remisage doit durer plus d'un mois; elle assure des performances normales lors de la remise en service.

ATTENTION

- * **L'essence est une substance extrêmement inflammable qui peut exploser dans certaines conditions. Effectuer cette opération dans un endroit bien aéré et avec le moteur arrêté. Ne pas fumer et n'approcher ni flammes, ni étincelles près de l'endroit de stockage de l'essence ou près du moteur au moment de la vidange ou au moment de faire le plein.**

4. Procédez comme suit pour éviter la formation de rouille dans les cylindres:
 - Retirer les capuchons de bougie d'allumage des bougies d'allumage. A l'aide d'un ruban ou d'une ficelle, fixer les capuchons à une pièce en plastique convenable pour qu'ils se trouvent à distance des bougies d'allumage.
 - Retirer les bougies d'allumage du moteur et les ranger dans un endroit sûr. Ne pas connecter les bougies d'allumage aux capuchons de bougie d'allumage.
 - Verser une cuillère (15–20 cm³) d'huile moteur propre dans chaque cylindre et recouvrir les orifices de bougie d'allumage avec un morceau de tissu.
 - Lancer le moteur à plusieurs reprises pour bien distribuer l'huile.
 - Reposer les bougies d'allumage et les capuchons de bougie d'allumage.
5. Déposer la batterie. La ranger dans un endroit à l'abri du gel et des rayons directs du soleil.
Charger lentement la batterie une fois par mois.
6. Laver la moto et la sécher. Cirer toutes les surfaces peintes. Enduire les parties chromées avec de l'huile antirouille.
7. Gonfler les pneus aux pressions préconisées. Placer la moto sur cales pour que ses roues ne touchent pas le sol.
8. Recouvrir la moto d'une bâche (ne pas utiliser de bâches en matière plastique ni de matériaux à revêtement) et la ranger dans un endroit non chauffé, à l'abri de l'humidité et dont les variations de températures journalières sont minimum. Veiller à ce que la moto ne soit pas exposée aux rayons directs du soleil.

FIN DU REMISAGE

1. Retirer la bâche et nettoyer la moto.
Renouveler l'huile du moteur si plus de 4 mois se sont écoulés depuis le début du remisage.
2. Recharger la batterie si nécessaire.
Reposer la batterie.
3. Vidanger l'excès d'huile antirouille en aérosol du réservoir d'essence. Faire le plein avec de l'essence fraîche.
4. Vérifier l'huile dans le carter de pont et faire l'appoint d'huile pour engrenages préconisée si nécessaire. Remplacer l'huile dans le carter de pont comme prescrit dans le Programme d'entretien,
5. Effectuer tous les "Contrôles avant l'utilisation" (page 41).
Tester la moto en roulant à faible allure dans un endroit sûr à l'écart de la circulation.

CARACTERISTIQUES

DIMENSIONS

Longueur hors-tout	2.190 mm ...G, IIG, IIIG, SW
	2.150 mm ...ED, E, F, SP, H
Largeur hors-tout	765 mm
Hauteur hors-tout	1.080 mm
Empattement	1.465 mm
Garde au sol	165 mm

POIDS

Poids à sec	190,8 kg ...ED, E, F, G, IIG, IIIG, SP, H
	191,8 kg ...SW

CAPACITES

Huile moteur	
après le vidange	2,4 ℓ
après la vidange et le remplacement du filtre à huile	2,6 ℓ
après le démontage	3,0 ℓ
Réservoir d'essence	19,0 ℓ
Réserve d'essence	2,5 ℓ
Capacité du circuit de refroidissement	1,8 ℓ
Nombre de passagers	Le pilote et un passager
Capacité de charge maximum	191 kg ...ED, E, F, G, IIG, IIIG, SP, H
	190 kg ...SW

MOTEUR

Alésage et course	79,0 × 66,0 mm
Taux de compression	9,2 : 1
Cylindrée	647 cm ³
Bougie d'allumage	
Standard	DPR8EA-9 (NGK) ou X24EPR-U9 (DENSO)
Pour climats froids (moins de 5 °C)	DPR7EA-9 (NGK) ou X22EPR-U9 (DENSO)
Pour conduite prolongée à grande vitesse	DPR9EA-9 (NGK) ou X27EPR-U9 (DENSO)
Ecartement des électrodes	0,80-0,90 mm
Régime de ralenti	1.200 ± 100 min ⁻¹ (tr/mn) ...ED, E, F, G, IIIG, IIIIG, SP, H 1.200 ± 50 min ⁻¹ (tr/mn) ...SW
Jeux aux soupapes (à froid)	
Admission	0,15 mm
Echappement	0,20 mm

CADRE ET SUSPENSION

Angle de chasse	28°
Longueur de chasse	119 mm
Dimensions de pneu avant	110/80 - 17 57H
Dimensions de pneu arrière	150/70 - 17 69H

TRANSMISSION

Démultiplication primaire	1,763
Rapports 1 ère	3,000
2e	1,941
3e	1,500
4e	1,240
5e	1,074
Démultiplication finale	2,909

CIRCUIT ELECTRIQUE

Batterie	12V - 8Ah
Alternateur	0,284 kw/5.000 min ⁻¹ (tr/mn)

FEUX ET TMOINS

Phare	12V - 60/55W
Feu arrière/stop	12V - 21/5W × 2
Clignotant	Avant 12V - 21W
	Arrière 12V - 21W
Feu de position	12V - 4W
Eclairage des compte de vitesse	12V - 1,7W
Eclairage des compte-tours	12V - 1,7W × 2
Témoin de point-mort	12V - 1,7W
Témoin de clignotant	12V - 1,7W
Témoin de feu de route	12V - 1,7W
Témoin de basse pression d'huile	12V - 1,7W
Témoin de béquille latérale	12V - 1,7W

FUSIBLE

Fusible principal	30A
Autres fusibles	10A, 15A

HONDA

NTV650

FAHRER-HANDBUCH



WICHTIGER HINWEIS

- **FAHRER UND BEIFAHRER**

Dieses Motorrad ist für den Betrieb mit Fahrer und Beifahrer konstruiert. Überschreiten Sie niemals das auf der Reifeninformationsplakette angegebene zulässige Zuladungsgewicht des Fahrzeugs.

- **STRASSENBETRIEB**

Dieses Motorrad ist nur für Straßenbetrieb konstruiert.

- **LESEN SIE DIESES FAHRER-HANDBUCH AUFMERKSAM DURCH**

Widmen Sie Ihre besondere Aufmerksamkeit denjenigen Hinweisen und Anweisungen, die wie folgt gekennzeichnet sind:

▲ WARNUNG

Dort finden Sie besonders wichtige Hinweise und Anweisungen, deren Mißachtung Verletzungs- und Unfallgefahr für Leib und Leben bedeutet.

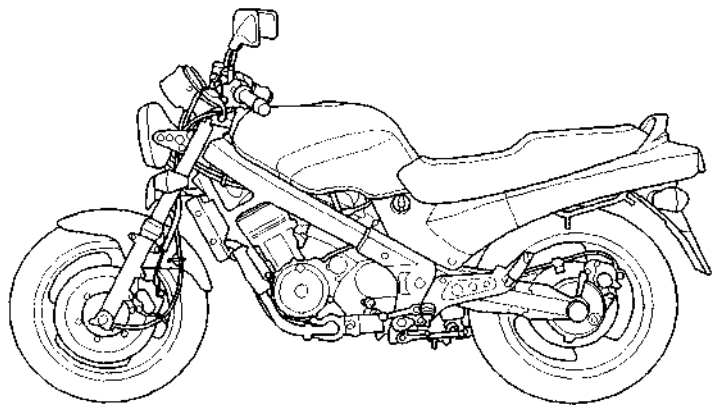
VORSICHT

Dort finden Sie wichtige Informationen über ungeeignete oder riskante Handhabungen Ihres Motorrads, die sowohl Sachbeschädigungen als auch Körperverletzungen verursachen können.

ZUR BEACHTUNG: Gibt nützliche Information.

Diese Betriebsanleitung ist ein wichtiger Bestandteil der Fahrzeugausrüstung und sollte im Falle eines Weiterverkaufs Ihres Motorrads unbedingt bei dem Motorrad verbleiben.

HONDA NTV650 FAHRER-HANDBUCH



Alle Informationen in dieser Veröffentlichung beruhen auf der neuesten Produktinformation, die zum Zeitpunkt der Druckgenehmigung verfügbar war. Die Firma HONDA MOTOR CO., LTD. behält sich das Recht vor, Änderungen jederzeit und ohne Vorankündigung vorzunehmen, ohne irgendwelche Verpflichtungen einzugehen.

Kein Teil dieser Veröffentlichung darf ohne schriftliche Genehmigung reproduziert werden.

WILLKOMMEN

Das Motorrad stellt für seinen Besitzer eine Herausforderung dar, die Maschine zu beherrschen, eine Herausforderung zum Abenteuer. Sie spüren den Fahrtwind und sind mit der Straße verbunden durch ein Fahrzeug, das wie kein anderes Ihren Befehlen gehorcht. Im Gegensatz zum Auto umgibt Sie kein metallener Schutzkäfig. Wie bei einem Flugzeug sind sorgfältiges Prüfen einer Checkliste vor jeder Fahrt und regelmäßige Wartung wesentliche Sicherheitsfaktoren. Als Belohnung wartet die Freiheit auf zwei Rädern auf Sie.

Um der Herausforderung gut gewappnet zu begegnen und das Abenteuer voll zu genießen, sollten Sie dieses Fahrerhandbuch aufmerksam durchlesen, **BEVOR SIE MIT DEM MOTORRAD FAHREN.**

Wenn Wartungsarbeiten erforderlich sind, denken Sie daran, daß Ihr HONDA-Vertragshändler Ihr Motorrad am besten kennt. Falls Sie über das erforderliche technische "know-how" und die richtigen Werkzeuge verfügen, können Sie bei Ihrem Händler das offizielle HONDA-Werkstatt-Handbuch erhalten, das Ihnen bei der Durchführung vieler Wartungs- und Reparaturarbeiten behilflich sein wird.

Gute Fahrt und vielen Dank für die Wahl einer HONDA !

- Die nachstehenden Abkürzungen in diesem Handbuch beziehen sich auf folgende Länder:

E	Großbritannien
F	Frankreich
SW	Schweiz
SP	Spanien Italien

ED	Europa-Direktvertrieb Belgien Portugal
H	Holland

G	Deutschland Schweden Norwegen
II G	Deutschland (Typ II)
III G	Deutschland (Typ III)

- Die technischen Daten können von Land zu Land verschieden sein.

BEDIENUNG

Seite		Seite	
1	MOTORRAD-SICHERHEIT	34	WICHTIGE EINZELTEILE
1	Regeln für sicheres Fahren	34	Zündschalter
2	Schutzkleidung	35	Bedienungselemente an der rechten Lenkerseite
2	Abänderungen	36	Bedienungselemente an der linken Lenkerseite
3	Zuladung und Zubehör		
6	ANORDNUNG DER BEDIENUNGSELEMENTE	37	MERKMALE (ohne Bedeutung für den Betrieb)
9	Instrumente und Anzeigen	37	Lenkschloss
13	HAUPTTEILE (Wichtige Information zum Betrieb dieses Motorrads)	38	Helmhalter
13	Federung	39	Sitz
17	Bremsen	39	Dokumentenfach
20	Kupplung	40	Seitendeckel
22	Kühlmittel	41	BEDIENUNG
25	Kraftstoff	41	Überprüfung vor dem Fahren
29	Motoröl	42	Anlassen des Motors
30	Endantriebsöl	46	Einfahren
31	Schlauchlose Reifen	47	Fahren
		49	Bremsen
		50	Parken
		50	Hinweise zur Diebstahlverhütung

WARTUNG

Seite

51	WARTUNG
52	Wartungsplan
55	Werkzeugsatz
56	Seriennummern
57	Farbplakette
57	Wartungshinweise
58	Motoröl
62	Kurbelgehäuse-Entlüftung
63	Zündkerzen
65	Gasdrehgriffbetätigung
66	Leerlaufdrehzahl
67	Endantriebsöl
68	Ausbau der Räder
73	Überprüfung der vorder- und Hinterradaufhängung
74	Bremsbelagverschleiß
76	Seitenständer
77	Batterie
79	Auswechseln der Sicherungen
82	Einstellung des Bremslichtschalters

Seite

83	REINIGEN
85	HINWEISE ZUR STILLEGUNG
85	Außerbetriebnahme
87	Wiederinbetriebnahme
88	TECHNISCHE DATEN

MOTORRAD-SICHERHEIT

AWARNUNG

- **Motorradfahren erfordert vom Fahrer besondere Vorsichtsmaßnahmen, um die persönliche Sicherheit zu gewährleisten. Machen Sie sich mit diesen Vorsichtsmaßnahmen vertraut, bevor Sie fahren.**

REGELN FÜR SICHERES FAHREN

1. Machen Sie stets eine "Überprüfung vor dem Fahren" (Seite 41), bevor Sie den Motor starten. Sie dient der Unfallverhütung und schützt die Maschine vor Schaden.
2. Viele Unfälle werden von unerfahrenen Fahrern verursacht. Für dieses Motorrad ist der Besitz eines Motorrad-Führerscheins nach erfolgreicher Absolvierung einer Fahrprüfung unerlässlich. Vergewissern Sie sich, daß Sie im Besitz der vorgeschriebenen Fahrerlaubnis sind, bevor Sie losfahren. Lassen Sie NIEMALS eine unerfahrene Person mit Ihrem Motorrad fahren.
3. Viele Unfälle zwischen Autos und Motorrädern ereignen sich deshalb, weil der Autofahrer den Motorradfahrer nicht rechtzeitig sieht.
Machen Sie sich gut bemerkbar, um unverschuldete Unfälle zu vermeiden:

- Tragen Sie auffällig helle oder reflektierende Kleidung.
 - Fahren Sie nicht im "toten Winkel" anderer Verkehrsteilnehmer.
4. Befolgen Sie die regionalen Gesetze und Bestimmungen.
 - Überhöhte Geschwindigkeit ist ein Faktor bei vielen Unfällen. Befolgen Sie Geschwindigkeitsbegrenzungen und fahren Sie NIEMALS schneller, als es die Umstände zulassen.
 - Zeigen Sie Abbiegen oder Spurwechsel rechtzeitig an. Ihre Größe und Wendigkeit kann andere Verkehrsteilnehmer überraschen.
 5. Lassen Sie sich nicht von anderen Verkehrsteilnehmern überraschen. Seien Sie äußerst wachsam an Kreuzungen, Aus- und Einfahrten von Parkplätzen und an Einmündungen von Seitenstraßen.
 6. Halten Sie während der Fahrt den Lenker mit beiden Händen fest und lassen Sie beide Füße auf den Fußrasten ruhen. Der Beifahrer sollte sich mit beiden Händen am Motorrad oder Fahrer festhalten und beide Füße auf den Soziusfußrasten ruhen lassen.

SCHUTZKLEIDUNG

1. Die meisten Motorradunfälle mit tödlichem Ausgang sind auf Kopfverletzungen zurückzuführen: Tragen Sie **IMMER** einen Schutzhelm. Neben Stiefeln, Handschuhen und Schutzkleidung sollten Sie auch einen Gesichtsschutz oder eine Schutzbrille tragen. Der Beifahrer benötigt den gleichen Schutz.
2. Die Auspuffanlage wird während des Betriebs sehr heiß und bleibt auch nach dem Abstellen des Motors noch längere Zeit heiß. Berühren Sie daher keinen Teil der heißen Auspuffanlage. Tragen Sie nur solche Kleidung, die Ihre Beine vollständig bedeckt.
3. Tragen Sie keine weiten Kleidungsstücke, die sich in den Bedienungshebeln, Fußrasten oder Rädern verfangen können.

ABÄNDERUNGEN

▲ WARNUNG

- * **Abänderungen am Motorrad oder das Entfernen von Original-Teilen können das Fahrzeug unsicher oder gesetzwidrig machen. Beachten Sie alle Bestimmungen der StVZO.**

ZULADUNG UND ZUBEHÖR

▲ WARNUNG

- * Beim Anbringen von und beim Fahren mit Zubehörteilen und Gepäck muß äußerste Sorgfalt walten, damit Unfälle vermieden werden. Das Anbringen von Zubehörteilen und Gepäck kann die Fahrstabilität, die Fahrleistungen und das sichere Fahrverhalten eines Motorrads erheblich beeinträchtigen und eine wesentliche Herabsetzung der Fahrgeschwindigkeit erfordern. Fahren Sie ein mit Zubehörteilen ausgerüstetes oder mit Gepäck beladenes Motorrad niemals schneller als 130 km/h. Denken Sie auch daran, daß die oben genannten Beeinträchtigungen der Fahrsicherheit durch das Anbringen von markenfremden Zubehörteilen, durch falsches Beladen, abgefahrene Reifen, schlechten Gesamtzustand des Motorrads, schlechte Straßen oder Wetterverhältnisse usw. noch erheblich verstärkt werden können. Diese Zusammenhänge sollten Sie in jedem Fall bedenken, bevor Sie Ihr Motorrad mit Zubehörteilen ausrüsten oder mit Gepäck beladen.

Beladen

Das Gesamtgewicht von Fahrer, Beifahrer, Gepäck und Zubehör darf das zulässige Zuladungsgewicht nicht überschreiten:

191 kg ...ED, E, F, G, IIIG, IIIIG, SP, H

190 kg ...SW

Das Gepäckgewicht allein sollte nicht überschreiten:

27 kg

1. Halten Sie das Gewicht von Zubehörteilen und Gepäck möglichst gering, und bringen Sie insbesondere Gepäck möglichst nahe dem Fahrzeugschwerpunkt unter. Je weiter der Schwerpunkt der Zuladung vom Fahrzeugschwerpunkt entfernt ist, desto mehr wird die sichere Handhabung des Motorrads beeinträchtigt. Verteilen Sie das Gewicht gleichmäßig auf beide Seiten, um ein Ungleichgewicht zu vermeiden.
2. Passen Sie Reifenfülldruck (Seite 31) und Hinterradfederung (Seite 13) dem Zuladungsgewicht und den Fahrverhältnissen an.

3. Handling, Fahrstabilität und Fahrsicherheit können durch lose Gepäckstücke erheblich beeinträchtigt werden. Überprüfen Sie öfters die Verzerrung der Gepäckstücke und die Befestigung von Zubehörteilen.
4. Befestigen Sie keine großen oder schweren Gegenstände (wie z. B. einen Schlafsack oder ein Zelt) an Lenker, Teleskopgabel oder Kotflügel, weil dies zu einer erheblichen Beeinträchtigung der Lenkung und zum Verlust der Kontrolle über das Fahrzeug führen kann.

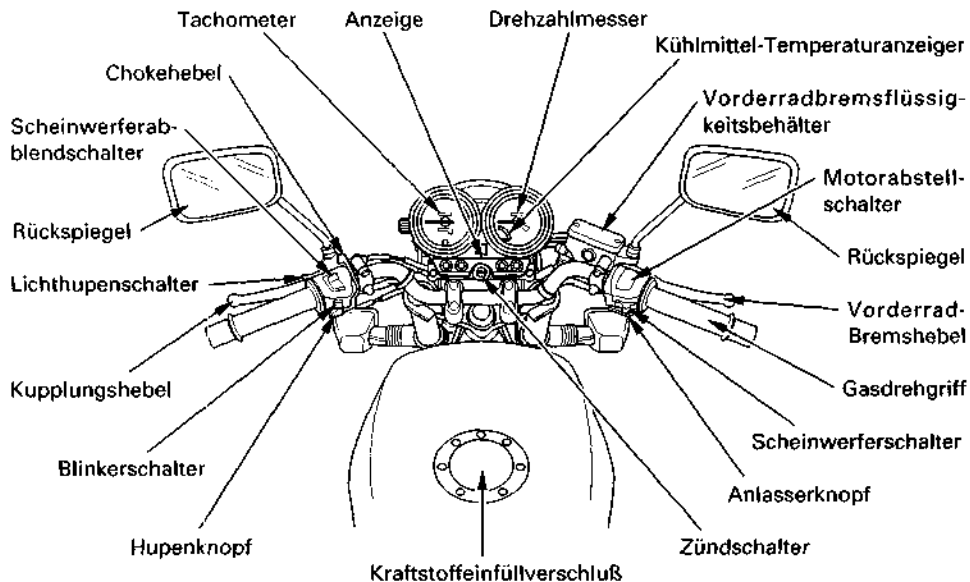
Zubehör

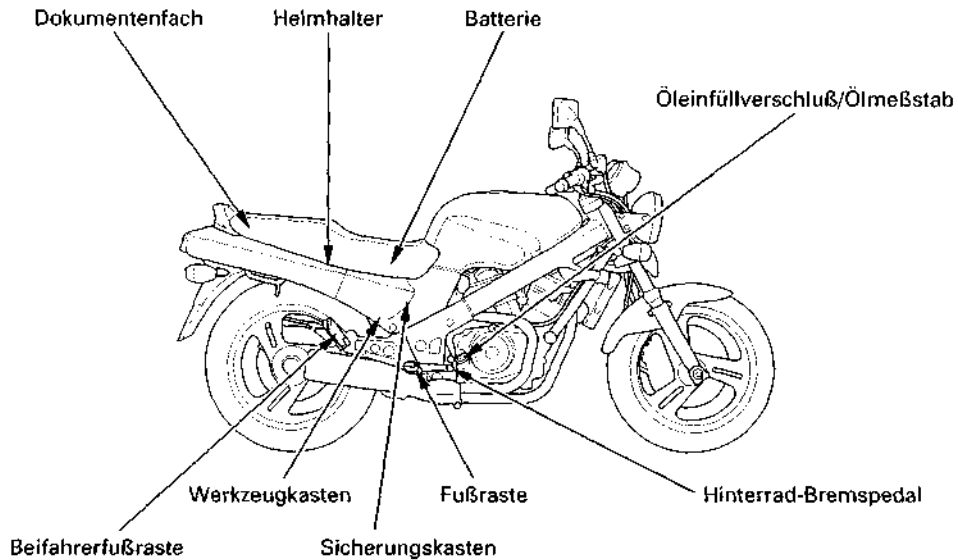
Soweit für Ihr Motorrad HONDA Original-Zubehörteile angeboten werden, sind diese speziell für Ihren Fahrzeugtyp entwickelt und an ihm getestet worden. Ob das Fahrverhalten Ihres Fahrzeugs durch die Anbringung fremden Zubehörs negativ beeinflusst wird, hat HONDA nicht geprüft. Es obliegt deshalb Ihnen, sich über die durch fremdes Zubehör verursachten Sicherheitsrisiken und Unfallgefahren zu informieren. Beachten Sie unbedingt folgende Hinweise:

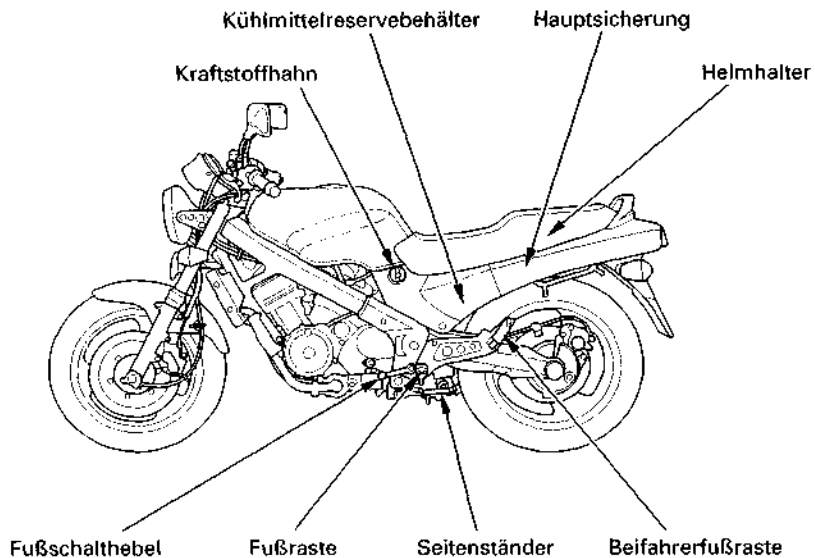
1. Prüfen Sie das Zubehörteil sorgfältig, um sicherzustellen, daß es keine Leuchten verdeckt, die Bodenfreiheit oder die Schräglage in Kurven nicht reduziert, und nicht den Federweg, den Lenkereinschlag oder die Betätigung der Bedienungshebel beeinträchtigt.
2. Verkleidungen und Frontscheiben können bei höheren Geschwindigkeiten aerodynamische Kräfte entwickeln und damit zu unbeherrschbaren Fahrzuständen führen. Gefährlich sind insbesondere Verkleidungen und Frontscheiben, die am Lenksystem (Lenker, Gabelholme etc.) befestigt sind. Montieren Sie keine Verkleidungen, die den Luftstrom zum Motor verringern.

3. Zubehörteile, welche die Sitzposition verändern und damit die Hände oder Füße weiter weg von den Bedienungselementen verlagern, können in Gefahrensituationen die Reaktionszeit verlängern.
4. Montieren Sie keine elektrischen Zubehörteile, welche die Kapazität der elektrischen Anlage des Motorrads überlasten. Das Durchbrennen einer Sicherung kann sich besonders bei Nacht durch Ausfall der Beleuchtung oder in dichtem Verkehr durch plötzliches Ausgehen des Motors gefährlich auswirken.
5. Dieses Motorrad ist nicht für Seitenwagen- oder Anhängerbetrieb konstruiert. Seitenwagen und Anhänger können die Fahr-sicherheit erheblich beeinträchtigen.
6. Jede Veränderung am Kühlsystem kann Überhitzung des Motors mit nachfolgenden schweren Motorschäden verursachen. Es dürfen keine Veränderungen an den Kühl-luftblechen vorgenommen und keine Zube-hörteile montiert werden, die den Kühl-luftstrom blockieren oder ihn vom Kühler weg-lenken.

ANORDNUNG DER BEDIENUNGSELEMENTE



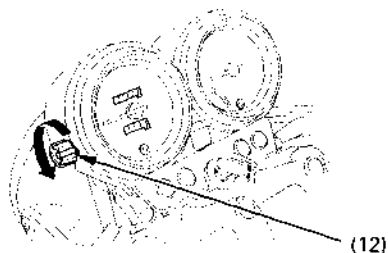
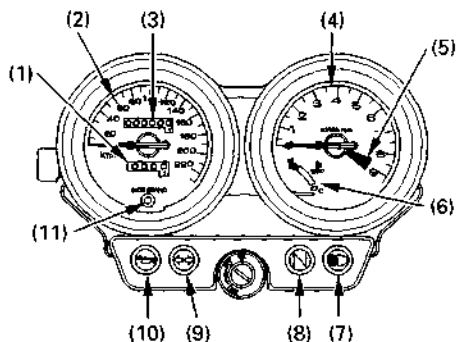




INSTRUMENTE UND ANZEIGEN

Die Anzeigeleuchten sind im Armaturenbrett integriert. Die jeweiligen Funktionen werden in den Tabellen der folgenden Seiten beschrieben.

- (1) Tageskilometerzähler
- (2) Tachometer
- (3) Kilometerzähler
- (4) Drehzahlmesser
- (5) Roter Bereich des Drehzahlmessers
- (6) Kühlmittel-Temperaturanzeiger
- (7) Fernlicht-Anzeigeleuchte
- (8) Leerlauf-Anzeigeleuchte
- (9) Blinker-Anzeigeleuchte
- (10) Anzeige für niedrigen Öldruck
- (11) Seitenständer-Anzeigeleuchte
- (12) Tageskilometerzähler-Rückstellknopf

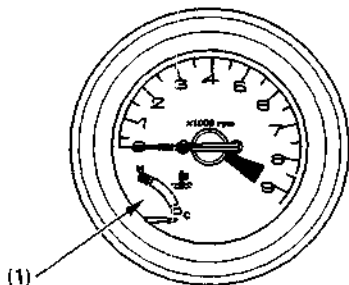


(Bez. -Nr.) Bezeichnung	Funktion
(1) Tageskilometerzähler	Zeigt die pro Fahrt zurückgelegten Kilometer an.
(2) Tachometer	Zeigt die Fahrgeschwindigkeit an.
(3) Kilometerzähler	Zeigt den Gesamtkilometerstand an.
(4) Drehzahlmesser	Zeigt die Motordrehzahl an.
(5) Roter Bereich des Drehzahlmessers	<p>Die Zeigernadel des Drehzahlmessers darf auf keinen Fall in den roten Bereich ausschlagen, auch dann nicht, nachdem der Motor eingefahren ist.</p> <p>VORSICHT</p> <ul style="list-style-type: none"> • Den Motor nicht mit einer höheren als der empfohlenen Maximaldrehzahl laufenlassen (Anfang des roten Bereichs des Drehzahlmessers), da dies einen Motorschaden verursachen kann.
(6) Kühlmittel-Temperaturanzeiger	Zeigt die Kühlmitteltemperatur an (siehe Seite 12).
(7) Fernlicht-Anzeigeleuchte	Leuchtet bei eingeschaltetem Fernlicht auf.

(Bez. -Nr.) Bezeichnung	Funktion
(8) Leerlauf-Anzeigeleuchte (grün)	Leuchtet auf, wenn das Getriebe auf Leerlauf geschaltet ist.
(9) Blinker-Anzeigeleuchte	Blinkt bei Einschalten entweder der rechten oder linken Blinkleuchten.
(10) Anzeige für niedrigen Öldruck	<p>Leuchtet auf, wenn der Motoröldruck unter den normalen Betriebsbereich abfällt. Die Leuchte muß aufleuchten, wenn bei stehendem Motor die Zündung eingeschaltet wird. Sie sollte erlöschen, sobald der Motor anspringt, mit Ausnahme eines gelegentlichen Aufflackerns bei oder in der Nähe der Leerlaufdrehzahl, wenn der Motor warmgelaufen ist.</p> <p>VORSICHT</p> <p>* Der Betrieb des Motors mit unzureichendem Öldruck führt zu schwerwiegenden Motorschäden.</p>
(11) Seitenständer-Anzeigeleuchte	Leuchtet auf, wenn der Seitenständer ausgeklappt wird. Vor dem Parken prüfen, ob der Seitenständer vollständig ausgeklappt ist; die Leuchte zeigt nur an, daß das Seitenständer-Zündungs-Abschaltssystem (Seite 42) aktiviert ist.
(12) Tageskilometerzähler-Rückstellknopf	Stellt den Tageskilometerzähler auf Null (0) zurück. Knopf in die gezeigte Richtung drehen.

Kühlmittel-Temperaturanzeiger

Wenn sich die Zeigernadel über die C-Marke (kalt) hebt, ist der Motor zum Betrieb ausreichend warm. Der normale Betriebstemperaturbereich liegt im Abschnitt zwischen den Marken H und C. Falls die Zeigernadel die H-Marke (heiß) erreicht, den Motor abstellen und den Kühlmittelstand im Ausgleichsbehälter überprüfen. Die Anweisungen auf den Seiten 23 und 24 lesen, und das Motorrad nicht eher fahren, bis die Störung behoben worden ist.



(1) Kühlmittel-Temperaturanzeiger

VORSICHT

- * Das Überschreiten der maximalen Betriebstemperatur kann ernsthafte Beschädigung des Motors zur Folge haben.

HAUPTTEILE (Wichtige Information zum Betrieb dieses Motorrads)

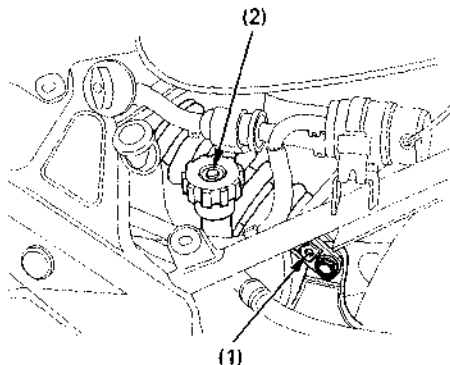
▲ WARNUNG

* Eine Mißachtung der "Überprüfung vor dem Fahren" (Seite 41) kann zu schwerer Körperverletzung oder Beschädigung des Fahrzeugs führen.

FEDERUNG

Hinterradfederung

Die Hinterradaufhängung kann verschiedenen Fahrer/Beifahrer-Gewichts- und Fahrbedingungen angepaßt werden, indem Dämpfung und Federvorspannung eingestellt werden. Zum Einstellen der Dämpfungskraft und der Federvorspannung den linken Seitendeckel entfernen.

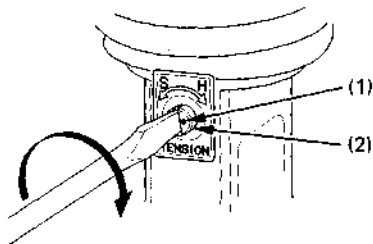


- (1) Dämpfungseinsteller
- (2) Federvorspannung-Einsteller

Spannungsdämpfung:

Die Dämpfungskraft ist dreifach verstellbar.
Bei Ausrichtung der Punkte (1) ist die Standard-Position gegeben.

Zum Erhöhen der Dämpfungskraft den Einsteller (2) von der Standard-Position um 180° oder 270° im Uhrzeigersinn drehen.



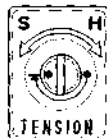
- (1) Punkte
- (2) Dämpfungseinsteller

Dämpfungskraft 1



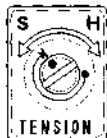
NORMAL

Dämpfungskraft 2



Dämpfungskraft 2 um
180° drehen

Dämpfungskraft 3

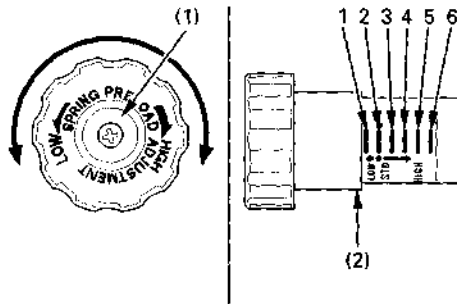


Dämpfungskraft 3 um
270° drehen

Federvorspannungseinstellung:

Der Federvorspannungseinsteller besitzt 6 Einstellpositionen für verschiedene Last- und Fahrbedingungen. Durch Drehen des Einstellerknopfs (1) im Uhrzeigersinn wird die Vorspannung erhöht, durch Drehen im Gegenuhrzeigersinn wird sie vermindert. Die Lippe des Einstellers (2) auf eines der sechs Segmente gemäß den folgenden empfohlenen Einstellungen für verschiedene Lasten ausrichten.

Fahrzeugbelastung	Dämpfungs- kraft	Vorspan- nung
Fahrer allein (bis 75 kg)	1	1 bis 3
Fahrer + Gepäck (bis 100 kg)	2	4
Fahrer + Sozius (bis 150 kg)	2	4 bis 5
Fahrer + Sozius + Gepäck (bis zul. Zuladungsgewicht)	3	6



(1) Einstellerknopf

(2) Einstellerknopf

▲ WARNUNG

- * Die Dämpfer-Einheit des Hinterrad-Stoßdämpfers ist mit hochverdichtetem Stickstoffgas gefüllt. Die in diesem Fahrerhandbuch enthaltenen Anweisungen beschränken sich auf eine Einstellung des Federbeins. Versuchen Sie nicht, die Dämpfer-Einheit zu zerlegen, abzutrennen oder zu warten; es könnte dabei zu einer Explosion mit daraus resultierenden schweren Verletzungen kommen.
- * Auch Durchschlag oder Feuereinwirkung können zu einer Explosion mit folgeschweren Verletzungen führen.
- * Überlassen Sie die Wartung oder sichere Beseitigung Ihrem HONDA- Vertragshändler oder einem qualifizierten Mechaniker, der mit den geeigneten Werkzeugen und Sicherheitseinrichtungen ausgerüstet ist und über das offizielle HONDA- Werkstatt-handbuch verfügt.

BREMSEN

Vorder- und Hinterrad dieses Motorrads sind mit hydraulischen Scheibenbremsen bestückt. Mit zunehmendem Verschleiß der Bremsbeläge sinkt der Bremsflüssigkeitsstand.

Einstellungen erübrigen sich, nur Bremsflüssigkeitsstand und Bremsbelagverschleiß müssen regelmäßig überprüft werden. Das System muß häufig inspiziert werden, um sicherzustellen, daß keine Bremsflüssigkeit ausläuft. Falls das Spiel des Bremshebels oder Bremspedals übermäßig groß wird, die Bremsbeläge aber noch nicht über die Verschleißgrenze (Seite 74) hinaus abgenutzt sind, befindet sich wahrscheinlich Luft im Bremssystem, die herausgelassen werden muß. Lassen Sie das Entlüften von Ihrem HONDA-Vertragshändler ausführen.

Bremsflüssigkeitsstand im vorderen Behälter:

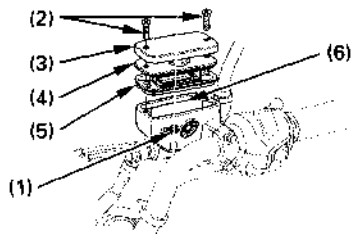
▲ WARNUNG

- * **Bremsflüssigkeit kann Hautreizung verursachen. Nicht mit Haut oder Augen in Berührung bringen. Im Falle einer Berührung mit Bremsflüssigkeit gründlich mit Wasser abwaschen und einen Arzt rufen, falls die Augen betroffen sind.**
- * **AUSSER REICHWEITE VON KINDERN HALTEN.**

VORSICHT

- * **Bremsflüssigkeit mit Vorsicht behandeln, weil sie Kunststoff und Lack angreift.**
- * **Beim Nachfüllen von Bremsflüssigkeit ist darauf zu achten, daß sich der Behälter in waagerechter Lage befindet, bevor der Deckel entfernt wird, weil sonst Bremsflüssigkeit ausläuft.**
- * **Nur Bremsflüssigkeit DOT 4 aus einem verschlossenen Behälter verwenden.**
- * **Sorgfältig darauf achten, daß keine Verunreinigungen wie Schmutz oder Wasser in den Bremsflüssigkeitsbehälter gelangen.**

Wenn der Stand der Bremsflüssigkeit bis in die Nähe der unteren Markierung (1) im Reservoir abgesunken ist, muß Bremsflüssigkeit nachgefüllt werden. Die Schrauben (2) herausdrehen, den Reservoirdeckel (3), die Membranplatte (4) und die Membran (5) abnehmen. Das Reservoir mit Bremsflüssigkeit des Typs DOT 4 aus einem verschlossenen Behälter bis zur oberen Markierung (6) auffüllen. Die Membran, Membranplatte und den Deckel wieder anbringen. Die Schrauben dann wieder gut festziehen.



- | | |
|-------------------------------|------------------------------|
| (1) Untere Pegelmarke (LOWER) | (4) Membranplatte |
| (2) Schrauben | (5) Membran |
| (3) Behälterdeckel | (6) Obere Pegelmarke (UPPER) |

Hinterradbremse

Bremsflüssigkeitsstand im hinteren Behälter:

AWARNUNG

- * **Bremsflüssigkeit kann Hautreizung verursachen. Nicht mit Haut oder Augen in Berührung bringen. Im Falle einer Berührung mit Bremsflüssigkeit gründlich mit Wasser abwaschen und einen Arzt rufen, falls die Augen betroffen sind.**
- * **AUSSER REICHWEITE VON KINDERN HALTEN.**

VORSICHT

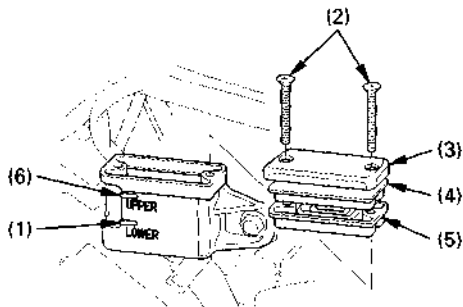
- * **Bremsflüssigkeit mit Vorsicht behandeln, weil sie Kunststoff und Lack angreift.**
- * **Beim Nachfüllen von Bremsflüssigkeit ist darauf zu achten, daß sich der Behälter in waagerechter Lage befindet, bevor der Deckel entfernt wird, weil sonst Bremsflüssigkeit ausläuft.**
- * **Nur Bremsflüssigkeit DOT 4 aus einem verschlossenen Behälter verwenden.**
- * **Sorgfältig darauf achten, daß keine Verunreinigungen wie Schmutz oder Wasser in den Bremsflüssigkeitsbehälter gelangen.**

Das Motorrad aufrecht halten und prüfen, ob der Flüssigkeitsstand oberhalb der unteren Pegelmarke (1) liegt.

Sobald der Flüssigkeitsstand die untere Pegelmarke (1) erreicht, muß Bremsflüssigkeit nachgefüllt werden. Den rechten Seitendeckel entfernen (Seite 40). Die Schrauben (2) herausdrehen, dann den Behälterdeckel (3), die Membranplatte (4) und die Membran (5) entfernen. Den Behälter bis zur oberen Pegelmarke (6) mit Bremsflüssigkeit DOT 4 aus einem verschlossenen Behälter füllen. Membran, Membranplatte und Deckel wieder anbringen. Die Schrauben fest anziehen.

Sonstige Überprüfungen:

Sichergehen, daß keine Bremsflüssigkeit ausläuft. Die Schläuche und Anschlüsse auf Abnutzung oder Risse untersuchen.

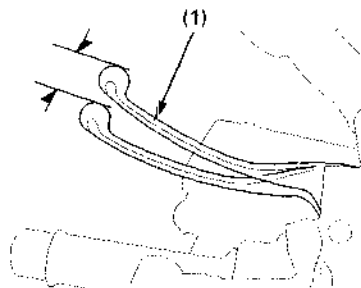


- | | |
|-------------------------------|------------------------------|
| (1) Untere Pegelmarke (LOWER) | (4) Membranplatte |
| (2) Schrauben | (5) Membran |
| (3) Behälterdeckel | (6) Obere Pegelmarke (UPPER) |

KUPPLUNG

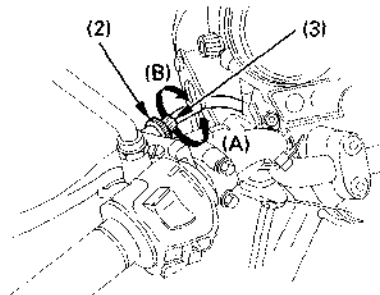
Eine Einstellung der Kupplung kann erforderlich werden, falls der Motor beim Einlegen eines Ganges ausgeht, das Getriebe schwer schaltbar ist oder die Kupplung rutscht. Kleinere Einstellungen können mit Hilfe der Kupplungszug-Einstellvorrichtung (3) am Kupplungshebel (1) vorgenommen werden.

Das normale Kupplungshebelspiel beträgt:
10–20 mm



(1) Kupplungshebel

1. Die Gegenmutter (2) lösen und die Einstellvorrichtung (3) drehen. Anschließend die Gegenmutter (2) wieder anziehen und die Einstellung überprüfen.
2. Falls die Einstellvorrichtung fast ganz herausgedreht ist oder eine korrekte Einstellung des Spiels nicht möglich ist, die Gegenmutter (2) lösen und die Einstellvorrichtung (3) ganz hineindrehen. Anschließend die Gegenmutter (2) wieder anziehen.



- | | |
|--------------------------------------|----------------------|
| (2) Gegenmutter | (A) Spiel vergrößern |
| (3) Kupplungszug-Einstellvorrichtung | (B) Spiel verringern |

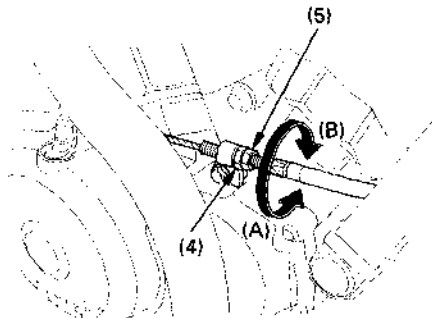
3. Die Gegenmutter (4) am unteren Ende des Seilzugs lösen. Zum Einstellen des Spiels die Einstellmutter (5) drehen. Anschließend die Gegenmutter (4) wieder anziehen und die Einstellung überprüfen.
4. Den Motor anlassen, den Kupplungshebel ziehen und einen Gang einlegen. Sicherstellen, daß der Motor nicht abstirbt und das Getriebe leicht schaltbar ist. Den Kupplungshebel allmählich loslassen und den Gasdrehgriff aufdrehen. Das Motorrad sollte weich anfahren und zügig beschleunigen.

ZUR BEACHTUNG:

- * Falls eine korrekte Einstellung nicht möglich ist oder die Kupplung nicht einwandfrei funktioniert, wenden Sie sich an Ihren HONDA-Vertragshändler.

Sonstige Überprüfungen:

Den Kupplungszug auf Knicke oder Verschleiß untersuchen, wodurch Schwergängigkeit oder Ausfall der Kupplung verursacht werden könnten. Den Kupplungszug mit einem handelsüblichen Seilzugschmiermittel schmieren, um vorzeitigen Verschleiß und Korrosion zu verhüten.



(4) Gegenmutter
(5) Einstellmutter

(A) Spiel vergrößern
(B) Spiel verringern

KÜHLMITTEL

Kühlmittlempfehlung

Der Besitzer muß die richtige Kühlmittelmischung aufrechterhalten, um Gefrieren, Überhitzung und Korrosion zu vermeiden. Verwenden Sie nur hochwertiges Äthylen-Glykol-Frostschutzmittel mit korrosionshemmenden Stoffen, das ausdrücklich für die Verwendung in Aluminiummotoren empfohlen wird (SIEHE AUFSCHRIFT AUF FROSTSCHUTZMITTEL-BEHÄLTER).

VORSICHT

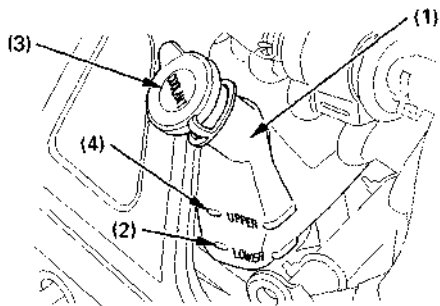
- * **Verwenden Sie nur mineralarmes Trinkwasser oder destilliertes Wasser für das Kühlmittel. Wasser mit hohem Mineral- oder Salzgehalt kann dem Aluminiummotor Schaden zufügen.**

Dieses Motorrad wird im Werk mit einer Mischung von 50% Frostschutzmittel und 50% Wasser versehen. Dieses Mischungsverhältnis ist für die meisten Betriebstemperaturen zu empfehlen und bietet guten Korrosionsschutz. Eine höhere Konzentration von Frostschutzmittel setzt den Wirkungsgrad des Kühlsystems herab und ist nur dann zu empfehlen, wenn zusätzlicher Frostschutz benötigt wird. Eine Mischung mit weniger als 40% Frostschutzmittelanteil bietet keinen ausreichenden Korrosionsschutz. Überprüfen Sie das Kühlsystem bei Frostwetter häufig, und erhöhen Sie gegebenenfalls die Frostschutzmittelkonzentration (bis maximal 60% Frostschutzmittel).

Inspektion

Der Ausgleichsbehälter befindet sich hinter der linken Seitenabdeckung.

Kontrollieren Sie den Kühlmittelstand im Ausgleichsbehälter (1) bei normaler Betriebstemperatur des Motors und aufrecht stehendem Motorrad. Falls der Kühlmittelstand unter der unteren Pegelmarke LOWER (2) liegt, den linken Seitendeckel (siehe 40) und den Deckel (3) des Ausgleichsbehälters entfernen. Kühlmittelgemisch bis zur oberen Pegelmarke UPPER (4) nachfüllen. Nicht den Kühlerverschlußdeckel entfernen.



- | | |
|-------------------------------|------------------------------|
| (1) Ausgleichsbehälter | (3) Ausgleichsbehälterdeckel |
| (2) Untere Pegelmarke (LOWER) | (4) Obere Pegelmarke (UPPER) |

▲ WARNUNG

- * Entfernen Sie den Kühlerverschlußdeckel nicht bei heißem Motor. Das Kühlmittel steht unter Druck, und es kann zu schwerwiegenden Verbrühungen kommen.
- * Halten Sie Ihre Hände und Kleidungsstücke vom Lüfter fern, da er automatisch anläuft.

Falls der Ausgleichsbehälter leer ist oder übermäßiger Kühlmittelverlust festgestellt wird, untersuchen Sie das Kühlsystem auf Undichtigkeit und lassen Sie es von Ihrem Honda-Vertragshändler reparieren.

KRAFTSTOFF

Manueller Kraftstoffhahn

Der manuelle Kraftstoffhahn (1) befindet sich links unter dem Kraftstofftank. Drehen Sie den Kraftstoffhahn bei normalem Betrieb auf ON (Auf) oder auf RES (Reserve), wenn der Hauptkraftstoffvorrat zur Neige geht. Die Stellung OFF (Zu) ist nur dann zu benutzen, wenn das Motorrad längere Zeit nicht benutzt werden soll, oder wenn Arbeiten am Kraftstoffsystem notwendig sind.

Automatische Zufuhr/ Abschaltung des Kraftstoffs

In der Stellung ON (oder RES) des Kraftstoffhahns fließt Kraftstoff nur dann zu den Vergasern, wenn der Motor gestartet wird oder bereits läuft. Eine Membran sperrt die Kraftstoffzufuhr, wenn der Motor abgestellt wird.

Reservekraftstoff

Wenn der Hauptvorrat verbraucht ist, den Kraftstoffhahn auf RES drehen. Tanken Sie nach dem Umschalten auf RES so bald wie möglich auf. Nach dem Auftanken ist der Hahn wieder auf ON zurückzustellen.

Der Reservekraftstoffvorrat beträgt:

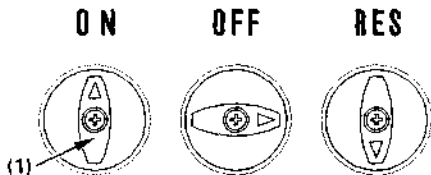
2,5 l

▲ WARNUNG

- * **Üben Sie das Umschalten des Kraftstoffhahns während der Fahrt, um plötzliches Ausgehen des Motors infolge Kraftstoffmangels zu vermeiden.**

ZUR BEACHTUNG:

- * Nach jedem Tanken sicherstellen, daß der Kraftstoffhahn auf "ON" gestellt ist. Wenn der Kraftstoffhahn in der Position "RES" belassen wird, kann der ganze Kraftstoff aufgebraucht werden, ohne daß noch eine Reserve zur Verfügung steht.

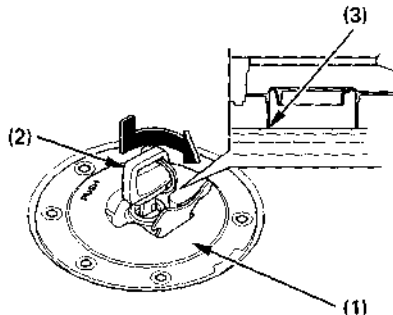


(1) Kraftstoffhahn

Kraftstofftank

Das Fassungsvermögen des Kraftstofftanks einschließlich Reservevorrat beträgt:
19,0 l

Zum Öffnen des Kraftstoffeinfüllverschlusses (1) den Zündschlüssel (2) einstecken und im Uhrzeigersinn drehen. Der Verschluss ist gelenkig angeschlossen und geht hoch.



- (1) Kraftstoffeinfüllverschluss
 - (2) Zündschlüssel
 - (3) Einfüllstutzen
- 26

Den Kraftstoffeinfüllverschluss zum Schließen nach dem Tanken in den Einfüllstutzen drücken, so daß er einschnappt und arretiert bleibt. Den Schlüssel abziehen.

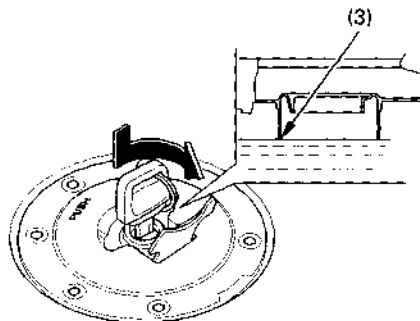
Bleifreies oder bleiarms Benzin mit einer Forschungsoktanzahl von 91 oder höher verwenden. Honda empfiehlt den Gebrauch bleifreien Benzins, da es im Vergleich zu verbleitem Benzin weniger Verbrennungsraum- und Zündkerzenablagerungen verursacht und die Lebensdauer von Auspuffanlagenbauteilen verlängert.

VORSICHT

* Falls der Motor bei normaler Belastung und gleichbleibender Drehzahl "klopft" oder "klingelt", wechseln Sie die Benzinmarke. Falls das Klopfen oder Klingeln nicht verschwindet, wenden Sie sich an einen HONDA-Vertragshändler. Nichtbeachtung wird als Fehlgebrauch angesehen, und durch Fehlgebrauch verursachte Schäden sind nicht von der HONDA-Garantie gedeckt.

⚠️ WARNUNG

- * Benzin ist äußerst feuergefährlich und unter gewissen Bedingungen explosiv. Das Nachfüllen des Kraftstoffs muß in einem gut belüfteten Raum sowie bei abgestelltem Motor erfolgen. Beim Auftanken bzw. im Kraftstoff-Aufbewahrungsbereich nicht rauchen; offene Flammen und Funken sind fernzuhalten.
- * Den Kraftstofftank nicht überfüllen (es darf kein Benzin im Einfüllstutzen (3) stehen). Nach dem Auftanken sicherstellen, daß der Tankdeckel fest verschlossen ist.
- * Beim Auftanken keinen Kraftstoff verschütten. Verschütteter Kraftstoff oder Kraftstoffdämpfe können sich entzünden. Falls Kraftstoff verschüttet wird, vergewissern Sie sich vor dem Anlassen des Motors, daß die Stelle trocken ist.
- * Wiederholten oder längeren Hautkontakt und Einatmen von Benzindämpfen vermeiden. **AUSSER REICHWEITE VON KINDERN AUFBEWAHREN.**



(3) Einfüllstutzen

Alkoholhaltiges Benzin

Falls Sie sich für die Verwendung von alkoholhaltigem Benzin (Gasohol) entscheiden, vergewissern Sie sich, daß seine Oktanzahl mindestens so hoch ist wie die für bleifreies Benzin empfohlene. Es gibt zwei Arten von "Gasohol": die eine enthält Äthanol, und die andere Methanol. Verwenden Sie kein Gasohol, das mehr als 10% Äthanol enthält. Verwenden Sie kein Benzin mit beigemischtem Methanol (Methyl oder Holzalkohol), das nicht auch Lösungs- und Rostschutzmittel für Methanol enthält. Verwenden Sie auf keinen Fall Benzin mit mehr als 5% Methanolanteil, selbst wenn es Lösungs- und Rostschutzmittel enthält.

ZUR BEACHTUNG:

- * Beschädigungen des Kraftstoffsystems oder Betriebsstörungen des Motors, die auf die Verwendung solcher Kraftstoffe zurückzuführen sind, sind nicht durch die HONDA-Garantie gedeckt. HONDA kann die Verwendung von Kraftstoffen mit Methanolanteil nicht empfehlen, da die Gutachten über ihre Eignung noch unvollständig sind.
- * Bevor Sie Kraftstoff von einer unbekanntenen Tankstelle kaufen, versuchen sie herauszufinden, ob der Kraftstoff Alkohol enthält, und wenn ja, von welcher Art und wieviel. Falls Sie nach dem Gebrauch von alkoholhaltigem Benzin irgendwelche unerwünschten Begleiterscheinungen feststellen, verwenden Sie Benzin, von dem Sie wissen, daß es keinen Alkohol enthält.

MOTORÖL

Motorölstand-Kontrolle

Den Motorölstand jeden Tag vor Inbetriebnahme des Motorrads überprüfen.

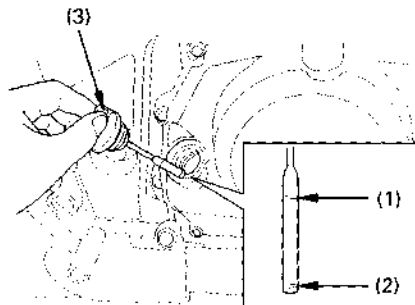
Der Ölstand muß zwischen der oberen (1) und unteren (2) Pegelmarke auf dem Ölmeßstab (3) gehalten werden.

1. Den Motor anlassen und ein paar Minuten mit Leerlaufdrehzahl laufen lassen. Sicherstellen, daß die Anzeige für niedrigen Öldruck ausgeht. Falls sie erleuchtet bleibt, sofort den Motor abstellen.
2. Den Motor abstellen und das Motorrad auf festem, ebenem Boden aufrecht stellen.
3. Nach einigen Minuten den Öleinfüllverschluß/Ölmeßstab entfernen, abwischen und wieder einführen, ohne ihn einzuschrauben. Den Ölmeßstab entfernen. Der Ölstand muß zwischen der oberen und unteren Pegelmarke am Ölmeßstab liegen.
4. Gegebenenfalls das vorgeschriebene Öl (siehe Seite 58) bis zur oberen Pegelmarke nachfüllen. Nicht überfüllen.

5. Den Öleinfüllverschluß/Ölmeßstab wieder anbringen. Sichergehen, daß kein Öl ausläuft.

VORSICHT

- Der Betrieb des Motors mit unzureichendem Öldruck führt zu schwerwiegenden Motorschäden.



- (1) Obere Pegelmarke
- (2) Untere Pegelmarke
- (3) Öleinfüllverschluß/Ölmeßstab

ENDANTRIEBSÖL

Ölstandkontrolle

Den Ölstand im Endantriebsgehäuse in den im Wartungsplan angegebenen Abständen überprüfen (Seite 53).

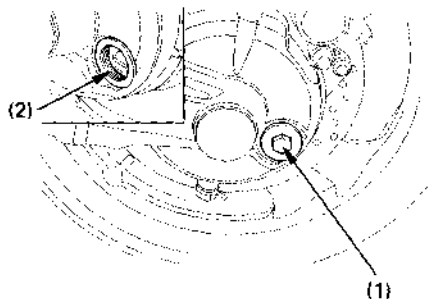
1. Das Motorrad aufrecht auf festen, ebenen Boden stellen.
2. Den Öleinfüllverschluß (1) entfernen.
3. Prüfen, ob der Ölstand bis zur Unterkante der Einfüllöffnung reicht.

ZUR BEACHTUNG:

- * Bei niedrigem Ölstand das Endantriebsgehäuse auf Undichtigkeit untersuchen. Frisches Öl durch die Einfüllöffnung einfüllen, bis der Ölstand die Unterkante der Öffnung erreicht.

Empfohlenes Öl:

HYPOID-GETRIEBEÖL SAE 80



(1) Öleinfüllverschluß (2) Kontrollöffnung

SCHLAUCHLOSE REIFEN

Dieses Motorrad ist mit schlauchlosen Reifen und den dazugehörigen Ventilen und Radfelgen ausgestattet. Verwenden Sie nur mit "TUBELESS" gekennzeichnete schlauchlose Reifen und schlauchlose Ventile auf Felgen mit der Aufschrift "TUBELESS TIRE APPLICABLE" (geeignet für schlauchlose Reifen).

Richtiger Reifenfülldruck gewährleistet maximale Fahrstabilität, optimalen Fahrkomfort und maximale Lebensdauer der Reifen.

Der Reifenfülldruck ist regelmäßig zu kontrollieren und gegebenenfalls zu korrigieren.

ZUR BEACHTUNG:

- * Der Reifenfülldruck ist bei "kalten" Reifen vor dem Fahren zu kontrollieren.
- * Schlauchlose Reifen besitzen bis zu einem gewissen Grad selbstdichtende Eigenschaften im Falle kleiner Undichtigkeiten, und die Luft entweicht oft nur sehr langsam. Die Reifen müssen daher sehr genau auf Einstiche untersucht werden, besonders wenn sie einen Druckabfall feststellen.

Reifengröße	
Vorn	110/80-17 57H
Hinten	150/70-17 69H
Reifenfülldruck (kalt), kPa (kg/cm ²)	Fahrer allein Vorn 225 (2,25) Hinten 225 (2,25)
	Mit Sozius Vorn 225 (2,25) Hinten 280 (2,80)
Reifenmarke NUR SCHLAUCHLOS	METZELER Vorn ME33 Hinten ME55A
	BRIDGESTONE Vorn G547G Hinten G548
	DUNLOP Vorn K505G Hinten K505

Untersuchen Sie die Reifen auf Einschnitte, eingefahrene Nägel oder sonstige spitze Gegenstände. Überprüfen Sie die Felgen auf Dellen oder Verformung. Falls Sie irgendwelche Schäden feststellen, lassen Sie Reparaturen, Auswechseln und Auswuchten von Ihrem HONDA-Vertragshändler ausführen.

▲ WARNUNG

- * **Falscher Reifendruck verursacht abnormen Profilverschleiß und stellt eine Gefahr für die Fahrsicherheit dar. Zu geringer Reifendruck kann dazu führen, daß der Reifen auf der Felge rutscht oder sich gar von ihr ablöst, was zum Verlust der Kontrolle über das Fahrzeug führen kann.**
- * **Fahren mit übermäßig verschlissenen Reifen ist gefährlich und wirkt sich negativ auf Traktion und Fahrverhalten aus.**

Erneuern Sie die Reifen, bevor die Profiltiefe in Reifenmitte folgende Verschleißgrenzen erreicht:

Minimale Profiltiefe	
Vorne:	1,5 mm
Hinten:	2,0 mm

ZUR BEACHTUNG: < Für Deutschland >

- * In Deutschland ist die Benutzung von Reifen mit einer Profiltiefe von weniger als 1,6 mm gesetzlich verboten.

Reparatur/Auswechseln:

Wenden Sie sich an Ihren HONDA-Vertragshändler.

▲ WARNUNG

- * Die Verwendung anderer als der hier aufgelisteten Reifen kann sich negativ auf die Handhabung auswirken.
- * Montieren Sie keine Schlauchreifen auf Felgen für schlauchlose Reifen. Es kann vorkommen, daß die Reifenwülste nicht richtig sitzen und auf der Felge rutschen, was ein Entweichen der Luft zur Folge haben kann, wodurch das Fahrzeug unkontrollierbar wird.
- * Verwenden Sie keinen Schlauch in einem schlauchlosen Reifen. Übermäßige Wärmebildung durch Reibung kann den Schlauch zum Platzen bringen, was zu schlagartigem Entweichen der Luft führt, so daß das Fahrzeug unkontrollierbar wird.
- * Ein Reifen ist zu erneuern, wenn die Seitenwand punktiert oder beschädigt ist. Die Durchbiegung der Seitenwand kann eine Reparatur zunichte machen und Entweichen der Luft verursachen, so daß das Fahrzeug unkontrollierbar wird.

▲ WARNUNG

- * Richtige Radauswuchtung ist notwendig für sicheres, stabiles Fahrverhalten des Motorrads. Die Auswuchtgewichte an den Rädern dürfen nicht entfernt oder verändert werden. Sollte ein erneutes Auswuchten der Räder erforderlich sein, so wenden Sie sich an Ihren HONDA-Vertragshändler. Auswuchten ist erforderlich nach jeder Reifenreparatur und nach jedem Reifenwechsel.
- * Um das Aufbrechen von reparierten Stellen und Entweichen der Luft, was zum Verlust der Kontrolle über das Fahrzeug führen kann, zu vermeiden, darf während der ersten 24 Stunden nach einer Reifenreparatur nicht schneller als 80 km/h und danach nicht schneller als 130 km/h gefahren werden.

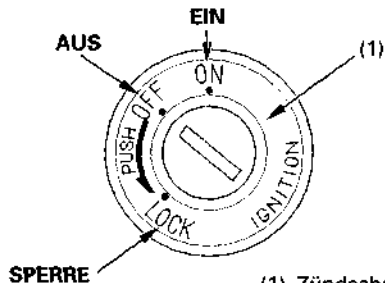
VORSICHT

- * Nicht versuchen, schlauchlose Reifen ohne Spezialwerkzeuge und Felgenschützer zu entfernen, weil sonst die Felgendichtungsfläche beschädigt oder die Felge verformt werden können.

WICHTIGE EINZELTEILE

ZÜNDSCHALTER

Der Zündschalter (1) befindet sich unterhalb des Anzeigelampenfeldes.

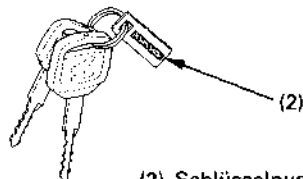


(1) Zündschalter

< Nur für G, II G, III G, H >

Mit Ihrem Schlüssel sollten Sie auch ein Schlüsselnummernschild erhalten haben.

Falls Sie einen Schlüssel verloren haben, benötigen Sie diese Schlüsselnummer, um einen Ersatzschlüssel zu bekommen. Bewahren Sie dieses Schild gut auf.


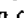



(2) Schlüsselnummerplakette




Schlüsselstellung	Funktion	Schlüsselfreigabe
LOCK (Lenkschloß)	Die Lenkung ist blockiert. Motor und Beleuchtung sind außer Betrieb.	Schlüssel kann abgezogen werden.
OFF (Aus)	Motor und Beleuchtung sind außer Betrieb.	Schlüssel kann abgezogen werden.
ON (Ein)	Der Motor kann gestartet und die Beleuchtung eingeschaltet werden.	Schlüssel kann nicht abgezogen werden.


BEDIENUNGSELEMENTE AN DER RECHTEN LENKERSEITE


Motorabstellschalter

Der Motorabstellschalter (1) befindet sich neben dem Gasdrehgriff. In der Stellung  (RUN) (Ein) ist der Motor betriebsbereit. In der Stellung  (OFF) (Aus) ist der Motor außer Betrieb. Dieser Schalter ist in erster Linie als Sicherheits- oder Notschalter gedacht, und sollte normalerweise auf  (RUN) stehen.

Scheinwerferschalter

Der Scheinwerferschalter (2) besitzt drei Stellungen: ,  und OFF, markiert durch einen Punkt rechts von .


: Scheinwerfer, Schlußlicht, Standlicht und Instrumentenbeleuchtung sind eingeschaltet.

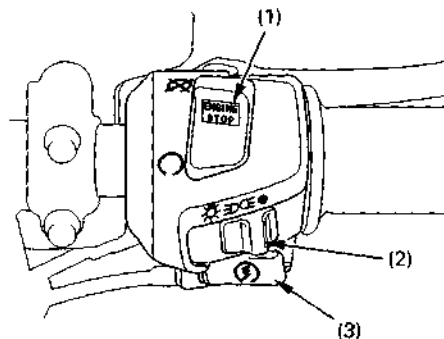
: Standlicht, Schlußlicht und Instrumentenbeleuchtung sind eingeschaltet.

AUS: Scheinwerfer, Schlußlicht, Standlicht (Punkt) und Instrumentenbeleuchtung sind ausgeschaltet.

Anlasserknopf

Der Anlasserknopf (3) befindet sich unterhalb des Scheinwerferschalters (2).

Wenn der Anlasserknopf gedrückt wird, kurbelt der Anlasser den Motor durch. Bei auf  (OFF) gestelltem Motorabstellschalter funktioniert der Anlasser nicht. Siehe Seite 43 bezüglich Anlaßverfahren.



- (1) Motorabstellschalter
- (2) Scheinwerferschalter
- (3) Anlasserknopf

BEDIENUNGSELEMENTE AN DER LINKEN LENKERSEITE

Scheinwerferabblendschalter (1)

Den Schalter für Fernlicht auf \equiv D (HI), für Abblendlicht auf \equiv D (LO) stellen.

Lichthupenschalter (2)

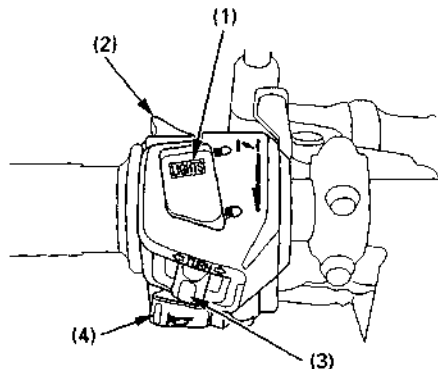
Wird dieser Schalter gedrückt, leuchtet der Scheinwerfer auf, um entgegenkommende Fahrer zu warnen oder die Überholabsicht anzuzeigen.

Blinkerschalter (3)

Zum Anzeigen von Linksabbiegen den Schalter nach \Leftarrow (L), zum Anzeigen von Rechtsabbiegen nach \Rightarrow (R) schieben. Zum Ausschalten der Blinker drücken.

Signalhornknopf (4)

Zum Betätigen des Signalhorns den Knopf drücken.



- (1) Scheinwerferabblendschalter
- (2) Lichthupenschalter
- (3) Blinkerschalter
- (4) Hupenknopf

MERKMALE

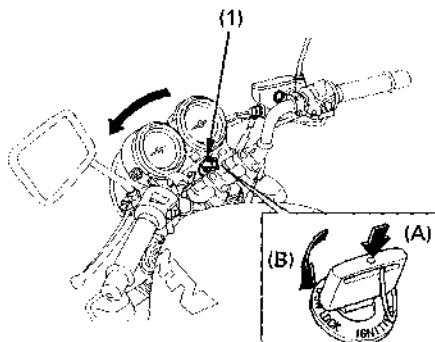
(ohne Bedeutung für den Betrieb)

LENKSCHLOSS

Zum Verriegeln der Lenkung den Lenker ganz nach links oder rechts einschlagen und den Zündschlüssel (1) bei gleichzeitigem Hineindrücken auf LOCK drehen. Dann den Schlüssel abziehen.

▲ WARNUNG

* Auf keinen Fall den Zündschlüssel während der Fahrt auf LOCK drehen, weil dies zum Verlust der Kontrolle über das Fahrzeug führt.



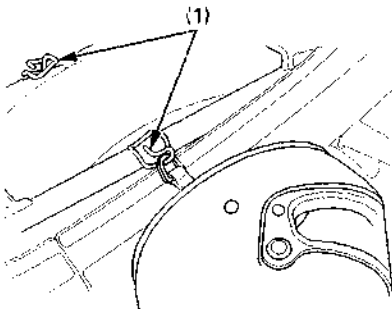
(1) Zündschlüssel

(A) Hineindrücken

(B) Auf LOCK drehen

HELMHALTER

Die Sturzhelmhalter befinden sich unter dem Sitz. Den Sitz öffnen (siehe Seite 39). Die Sturzhelme an den Haltehaken (1) einhängen. Den Sitz schließen und einwandfrei verriegeln.



(1) Halterhaken

⚠ WARNUNG

- * Der Helmhalter dient nur zur sicheren Aufbewahrung des Helms beim Parken. Fahren Sie nicht mit dem Motorrad, wenn ein Helm am Halter befestigt ist; der Helm könnte den sicheren Betrieb gefährden und Verlust der Kontrolle über das Fahrzeug verursachen.

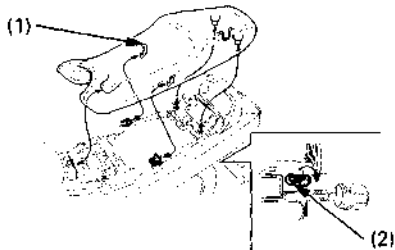
SITZ

Zum Entfernen des Sitzes (1) den ZÜndschlüssel in das Sitzschloß (2) stecken und im Uhrzeigersinn drehen. Den Sitz nach hinten ziehen und nach oben abnehmen.

Zum Anbringen des Sitzes den Zinken in die Aussparung unter dem Rahmenquerträger schieben, und dann den hinteren Teil des Sitzes nach unten drücken.

VORSICHT

* Nach der Montage sicherstellen, daß der Sitz einwandfrei befestigt ist.



(1) Sitz

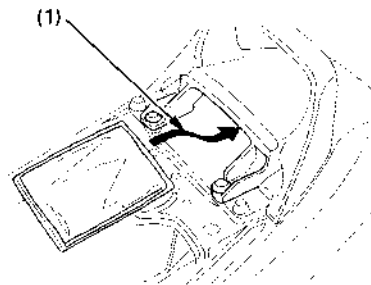
(2) Sitzschloß

DOKUMENTENFACH

Das Dokumentenfach (1) befindet sich unter dem Sitz.

Dieses Fahrer-Handbuch und andere Dokumente sollten im Dokumentenfach aufbewahrt werden.

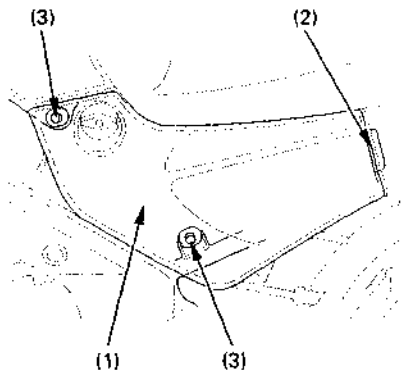
Achten Sie beim Waschen des Motorrads darauf, daß dieser Bereich nicht mit Wasser überflutet wird.



(1) Dokumentenfach

SEITENDECKEL

Zum Entfernen der rechten und linken Seitenabdeckung (1) den Zinken (3) herausziehen und die Seitenabdeckung vorsichtig nach vorn ziehen, um die Zapfen (2) auszuhängen.



(1) Seitenabdeckung (3) Zinken

(2) Ansatz

BEDIENUNG

ÜBERPRÜFUNG VOR DEM FAHREN

▲WARNUNG

* Eine Mißachtung der "Überprüfung vor dem Fahren" kann zu schwerer Körperverletzung oder Beschädigung des Fahrzeugs führen.

Überprüfen Sie Ihr Motorrad jeden Tag vor dem Fahren. Die hier aufgelisteten Überprüfungen nehmen nur wenig Zeit in Anspruch und helfen auf längere Sicht, Zeit und Kosten zu sparen und Leib und Leben zu schützen.

1. Motorölstand--Ölstand kontrollieren und gegebenenfalls Öl nachfüllen (Seite 29). Motor auf Undichtigkeit überprüfen.
2. Kraftstoffstand--rechtzeitig auftanken (Seite 26). Kraftstoffsystem auf Undichtigkeit überprüfen.
3. Kühlmittelstand--Kühlmittelstand überprüfen und gegebenenfalls Kühlmittel nachfüllen. Kühlsystem auf Undichtigkeit überprüfen (pages 22-- 24).

4. Vorder- und Hinterradbremsten -- Bremswirkung überprüfen; sicherstellen, daß keine Bremsflüssigkeit ausläuft (pages 17-- 19).
5. Reifen--Reifenzustand und Fülldruck überprüfen (pages 31-- 33).
6. Gasdrehgriff--auf leichtes Öffnen und Schließen in allen Lenkerstellungen überprüfen.
7. Beleuchtung und Signalthorn--prüfen, ob Scheinwerfer, Schluß-/Bremslicht, Blinker, Anzeigeleuchten und Signalthorn einwandfrei funktionieren.
8. Motorabstellschalter-- auf einwandfreies Funktionieren überprüfen (page 35).
9. Seitenständer-Zündstromunterbrechung -- auf einwandfreies Funktionieren überprüfen (page 76).

Beheben Sie sämtliche Mängel, bevor Sie losfahren. Wenden Sie sich an Ihren HONDA-Vertragshändler, wenn Sie ein Problem nicht lösen können.

ANLASSEN DES MOTORS

Stets wie nachfolgend beschrieben starten. Dieses Motorrad ist mit einer Seitenständer-Zündstromunterbrechung ausgerüstet. Bei ausgeklapptem Seitenständer kann der Motor nur angelassen werden, wenn das Getriebe in den Leerlauf geschaltet ist. Bei eingeklapptem Seitenständer kann der Motor auch im Leerlauf oder bei eingelegtem Gang angelassen werden, wenn gleichzeitig die Kupplung ausgerückt wird. Nach Anlassen des Motors bei ausgeklapptem Seitenständer stirbt der Motor ab, wenn ein Gang eingelegt wird.

⚠ WARNUNG


* Lassen Sie den Motor niemals in einem geschlossenen Raum laufen. Die Abgase enthalten giftiges Kohlenmonoxid, das Bewußtlosigkeit verursachen und zum Tod führen kann.

ZUR BEACHTUNG:

* Betätigen Sie den elektrischen Anlasser nicht länger als jeweils 5 Sekunden. Warten Sie mindestens 10 Sekunden, ehe Sie einen erneuten Startversuch unternehmen.

Vorbereitung

Vor dem Anlassen den Zündschlüssel einstecken, auf ON drehen und folgende Kontrollen durchführen:

- Das Getriebe ist auf Leerlauf (NEUTRAL) geschaltet (Leerlaufanzeige leuchtet).
- Der Motorabstellschalter steht auf  (RUN).
- Die rote Anzeigelampe für niedrigen Öldruck ist an.

Startverfahren

Zum erneuten Anlassen des noch warmen Motors gemäß den Anweisungen unter "Hohe Lufttemperatur" vorgehen.

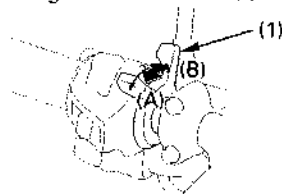
Normale Lufttemperatur

10° - 35°C

1. Wenn der Motor kalt ist, den Chokehebel (1) bis zum Anschlag zurückziehen (A).
2. Den Motor starten, ohne den Gasdrehgriff aufzudrehen.

ZUR BEACHTUNG:

- * Beim Starten des Motors mit geöffnetem Choke den Gasdrehgriff nicht aufdrehen, da dies zu einer Abmagerung des Gemischs und damit zu Startschwierigkeiten führen würde.



- (1) Chokehebel (A) Vollgeöffnete Position
(B) Vollgeschlossene Position

3. Sofort nach dem Anspringen den Chokehebel bedienen (1), um den Motor auf der folgenden Drehzahl zu halten:
2.000 - 3.000 min⁻¹ (U/min)
4. Etwa eine halbe Minute nach dem Anspringen den Choke-Hebel (1) ganz nach vorne auf die OFF-Stellung (B) schieben.
5. Bei ungleichmäßigem Leerlauf den Gasdrehgriff etwas aufdrehen.

VORSICHT

- * Die rote Anzeigelampe für niedrigen Öldruck muß wenige Sekunden nach dem Anspringen des Motors erlöschen. Falls sie erleuchtet bleibt, sofort den Motor abstellen und den Motorölstand kontrollieren. Der Betrieb des Motors mit unzureichendem Öldruck kann schwerwiegende Motorschäden zur Folge haben.

Hohe Lufttemperatur

35°C oder höher


1. Nicht den Choke benutzen.
2. Die Drosselklappe leicht öffnen.
3. Den Motor anlassen.

Niedrige Lufttemperatur

10 °C oder darunter

1. Die Schritte 1 – 2 unter "Normale Lufttemperatur" befolgen.
2. Wenn sich die Motordrehzahl zu erhöhen beginnt, den Choke-Hebel verstellen, um den Schnelleerlauf auf der folgenden Drehzahl zu halten:
2.000 – 3.000 min⁻¹ (U/min)
3. Den Motor so lange warmlaufen lassen, bis er bei ganz auf OFF (B) stehendem chokehebel (1) gleichmäßig läuft und auf Gasdrehgriffbetätigungen verzögerungsfrei anspricht.

Motor überflutet

Wenn der Motor auch nach wiederholten Anlaßversuchen nicht anspringt, kann er mit Kraftstoff überflutet sein. Um einen überfluteten Motor wieder zum Laufen zu bringen, den Motorabstellschalter auf  (RUN) gestellt lassen und den Chokehebel ganz nach vorne zur Position OFF (B) schieben. Vollgas geben und den Motor 5 Sekunden lang durchkurbeln. Wenn der Motor anspringt, den Gasdrehgriff schnell zudrehen, und bei instabilem Leerlauf wieder leicht aufdrehen. Wenn der Motor nicht anspringt, 10 Sekunden warten, dann das Anlaßverfahren für durchführen.

EINFAHREN

Während der Einfahrzeit unterliegen die noch nicht eingelaufenen Gleitflächen einem erhöhten Verschleiß. Die erste Inspektion nach 1.000 km dient unter anderem Zweck, diesen anfänglichen Verschleiß durch Einstellarbeiten auszugleichen. Rechtzeitige Ausführung der ersten Inspektion gewährleistet optimale Leistung und Lebensdauer des Motors.

Folgende allgemeine Regeln sind zu beachten:

1. Den Motor niemals bei niedrigen Drehzahlen mit Vollgas betreiben. Diese Regel gilt nicht nur während der Einfahrzeit, sondern immer.
2. Während der ersten 1.000 km darf die maximale Dauerdrehzahl von 4.000 min^{-1} (U/min) nicht überschritten werden.
3. Bei einem Kilometerstand von 1.000 bis 1.600 km ist die maximale Dauerdrehzahl um 2.000 min^{-1} (U/min) zu erhöhen. Lebhaft fahren, die Drehzahl häufig variieren, und Vollgas nur für kurze Sprints benutzen. Die maximale Drehzahl von 6.000 min^{-1} (U/min) nicht überschreiten.

4. Ab einem Kilometerstand von 1.600 km kann das Motorrad mit Vollgas gefahren werden. Die maximale Drehzahl von 8.500 min^{-1} (U/min) – Anfang des roten Bereichs des Drehzahlmessers darf jedoch auf keinen Fall überschritten werden. (Darauf achten, daß die Nadel des Drehzahlmessers nicht in den roten Bereich gerät.)

VORSICHT

- * Den Motor nicht mit einer höheren als der empfohlenen Maximaldrehzahl laufen lassen (Anfang des roten Bereichs des Drehzahlmessers), da dies einen Motorschaden verursachen kann.

FAHREN

▲ WARNUNG

- * Lesen Sie den Abschnitt "Motorrad-Sicherheit" (Seite 1 – 5) noch einmal durch, bevor Sie losfahren.

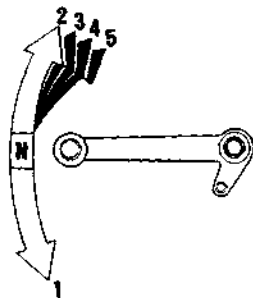
ZUR BEACHTUNG:

- * Sichergehen, daß der Seitenständermechanismus einwandfrei funktioniert. (Siehe dazu WARTUNGSPLAN auf Seite und 52 Angaben zum SEITENSTÄNDER auf Seite 76).
1. Nachdem der Motor warmgelaufen ist, ist das Motorrad fahrbereit.
 2. Bei Leerlaufdrehzahl den Kupplungshebel anziehen und den Fußschalthebel nach unten drücken, um den 1. Gang einzulegen.
 3. Den Kupplungshebel langsam loslassen, während gleichzeitig die Drehzahl durch Aufdrehen des Gasdrehgriffs allmählich erhöht wird. Eine gefühlvolle Koordination dieser beiden Vorgänge gewährleistet weiches Anfahren.
 4. Wenn das Motorrad eine ausreichende Fahrgeschwindigkeit erreicht, den Gasdrehgriff zudrehen, gleichzeitig den Kupplungshebel anziehen und durch Anheben

des Fußschalthebels in den 2. Gang schalten.

Dieser Vorgang wird wiederholt, um nacheinander in den 3., 4. und 5. Gang zu schalten.

5. Um eine weiche Verzögerung zu erzielen, sind Gasdrehgriff- und Bremsbetätigung zu koordinieren.
6. Vorder- und Hinterradbremse sind gleichzeitig zu betätigen, doch nicht so stark, daß die Räder blockieren, denn dadurch würde die Bremswirkung beträchtlich reduziert und die Kontrolle über das Motorrad könnte schwierig werden.



▲WARNUNG

- * Schalten Sie nicht herunter, wenn Sie mit einer Geschwindigkeit fahren, bei welcher der Motor im nächsttieferen Gang zum Überdrehen gebracht werden würde; durch den plötzlichen Ruck könnte das Hinterrad die Bodenhaftung verlieren, was möglicherweise zum Verlust der Kontrolle über das Fahrzeug führen kann.

VORSICHT

- * Wechseln Sie die Gänge nicht, ohne die Kupplung zu ziehen und den Gasdrehgriff zuzudrehen. Andernfalls können Motor und Getriebe durch Überdrehen und Stoßbelastung beschädigt werden.
- * Das Motorrad sollte nicht bei abgestelltem Motor über längere Strecken abgeschleppt werden oder bergab rollen, weil dann das Getriebe nicht ausreichend geschmiert wird, was zu Beschädigungen führen kann.

VORSICHT

- * Nicht über Bordsteinkanten fahren oder die Räder an Hindernissen entlangschleifen lassen, weil dadurch die Räder beschädigt werden können.

ZUR BEACHTUNG:

- * Die Batterie wird im Leerlaufdrehzahlbereich nicht geladen, daher den Motor nicht längere Zeit im Leerlauf betreiben.

BREMSEN

1. Für normales Abbremsen sind beide Bremsen leicht zu betätigen, während gleichzeitig die Gänge durch Herunterschalten der jeweiligen Fahrgeschwindigkeit angepaßt werden.
2. Für maximales Abbremsen den Gasdrehgriff zudrehen und beide Bremsen forsch betätigen. Ziehen Sie den Kupplungshebel an, bevor das Motorrad zum Stillstand kommt, um ein Abwürgen zu vermeiden.

▲WARNUNG

- * Der unabhängige Einsatz nur der Vorder- oder der Hinterradbremse reduziert die Bremswirkung. Zu starkes Anziehen einer Bremse verursacht Blockieren des betreffenden Rades, was zum Verlust der Kontrolle über das Motorrad führen kann.
- * Setzen Sie die Geschwindigkeit herab oder bremsen Sie möglichst, bevor Sie eine Kurve durchfahren; Gaswegnehmen oder Bremsen in einer Kurve kann die Räder zum Wegrutschen bringen, was zum Verlust der Kontrolle über das Motorrad führen kann.
- * Beim Fahren unter nassen oder regnerischen Bedingungen oder auf lockerem Un-

tergrund sind Manövrierfähigkeit und Bremsmöglichkeit herabgesetzt. Unter solchen Bedingungen sind plötzliche, hastige Reaktionen zu vermeiden. Plötzliches Beschleunigen, Bremsen oder Ändern der Fahrtrichtung kann zum Verlust der Kontrolle führen. Lassen Sie daher um der Sicherheit willen beim Bremsen, Beschleunigen oder Abbiegen äußerste Vorsicht walten.

- * Benutzen Sie an langen, steilen Gefällestrrecken die Motorbremswirkung durch Herunterschalten, wobei auch beide Bremsen in Abständen unterstützend einzusetzen sind. Durch ständiges Betätigen laufen die Bremsen heiß, wodurch ihr Wirkungsgrad herabgesetzt wird.
- * Lassen Sie während der Fahrt nicht ständig Ihren Fuß auf dem Bremspedal oder Ihre Hand auf dem Bremshebel ruhen. Dies verursacht übermäßigen Bremsverschleiß, und es kann zu Beschädigung oder Ausfall der Bremsen durch Heißlaufen kommen. Außerdem kann Ihr Bremslicht andere Verkehrsteilnehmer verwirren.

PARKEN

1. Nachdem das Motorrad zum Stillstand gekommen ist, das Getriebe in den Leerlauf schalten, den Kraftstoffhahn auf OFF drehen, den Lenker ganz nach links einschlagen, dann den Zündschlüssel auf OFF drehen und abziehen.
2. Benutzen Sie den Seitenständer zum Abstützen des Motorrads beim Parken.

VORSICHT

- * Stellen Sie das Motorrad auf festem, ebenem Boden ab, damit es nicht umkippen kann.
 - * Falls Sie auf leicht abschüssigem Untergrund parken müssen, richten Sie die Frontpartie des Motorrads bergwärts, damit das Motorrad nicht vom Seitenständer abrollen oder umkippen kann.
3. Schließen Sie die Lenkung ab, um Diebstahl vorzubeugen (Seite 37).

HINWEISE ZUR DIEBSTAHLVERHÜTUNG

1. Schließen Sie stets die Lenkung ab, und lassen Sie nie den Zündschlüssel stecken. Dies klingt banal, aber man ist leicht vergeblich.
2. Vergewissern Sie sich, daß alle Zulassungspapiere für Ihr Motorrad vollständig und auf dem neuesten Stand sind.
3. Stellen Sie Ihr Motorrad möglichst in einer verschließbaren Garage unter.
4. Benutzen Sie eine zusätzliche gute Diebstahlsicherung.
5. Tragen Sie Ihren Namen, Anschrift und Telefonnummer in diese Fahrerhandbuch ein, und bewahren Sie sie ständig in Ihrem Motorrad auf.

Es kommt oft vor, daß ein gestohlenen Motorrad anhand der Eintragungen in der Betriebsanleitung, die sich noch beim Motorrad befindet, identifiziert werden kann.

NAME : _____

ANSCHRIFT : _____

TELEFON : _____

WARTUNG

- Der regelmäßige Wartungsplan schreibt vor, wie oft Ihr Motorrad gewartet werden sollte, und worauf zu achten ist. Plangemäße Wartung Ihres Motorrads ist für hohe Betriebssicherheit, Zuverlässigkeit und Funktionstüchtigkeit der Auspuffreinigungsanlage von ausschlaggebender Bedeutung.
- Die nachfolgenden Anweisungen beruhen auf der Annahme, daß das Motorrad ausschließlich für seinen ursprünglich vorgesehenen Zweck eingesetzt wird. Wird das Motorrad mit anhaltend hoher Drehzahl oder unter ungewöhnlich nassen oder staubigen Bedingungen betrieben, so muß es häufiger gewartet werden, als im WARTUNGSPLAN angegeben ist. Lassen Sie sich von Ihrem HONDA-Vertragshändler beraten, welche Maßnahmen speziell für Ihre Bedürfnisse und Anforderungen angebracht sind.

GEGENSTAND	HÄUFIGKEIT	JE NACHDEM, .. WAS ZUERST EINTRIFFT ↓	KILOMETERSTAND [ZUR BEACHTUNG (1)]								Bezugsserie
			× 1.000 km	1	6	12	18	24	30	36	
			× 1.000mi	0,6	4	8	12	16	20	24	
		ZUR BEACHTUNG	MONATE		6	12	18	24	30	36	
ENDANTRIEBSÖL										R	87
BREMSFLÜSSIGKEIT		(ZUR BEACHTUNG 4)					R			R	17 - 19
BREMSBELAGVERSCHLEISS											74 - 75
BREMSSYSTEM											17 - 19
* BREMSLICHTSCHALTER											82
* SCHEINWERFEREINSTELLUNG											
KUPPLUNGSSYSTEM											20 - 21
SEITENSTÄNDER											76
* RADAUFHÄNGUNG											
* MÜTTERN, SCHRAUBEN, BEFESTIGUNGSTEILE											
** RÄDER/REIFEN											-
** STEUERKOPFLAGER											-

- * SOLLTE VON EINEM HONDA-VERTRAGSHÄNDLER GEWARTET WERDEN, AUSSER WENN DER BESITZER ÜBER DIE GEEIGNETEN WERKZEUGE UND WARTUNGSDATEN VERFÜGT UND HANDWERKLICH QUALIFIZIERT IST. IM OFFIZIELLEN HONDA-WERKSTATT-HANDBUCH NACHSCHLAGEN.
- ** IM INTERESSE IHRER SICHERHEIT EMPFEHLEN WIR, DIESE ARBEITEN NUR VON EINEM HONDA-VERTRAGSHÄNDLER AUSFÜHREN ZU LASSEN.

Honda empfiehlt, daß Ihr Motorrad nach jedem planmäßigen Kundendienst von Ihrem Händler probegefahren wird.

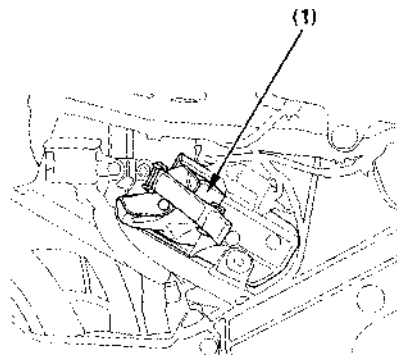
- ZUR BEACHTUNG:
- (1) Bei höherem Kilometerstand in den hier angegebenen Abständen wiederholen.
 - (2) Häufiger warten, wenn in ungewöhnlich nassen oder staubigen Gebieten gefahren wird.
 - (3) Häufiger warten, wenn bei Regen oder mit Vollgas gefahren wird.
 - (4) Alle 2 Jahre oder in den angegebenen, Kilometerabständen auswechseln, je nachdem, was zuerst eintritt. Das Auswechseln erfordert handwerkliches Können.
 - (5) Nur Modell für die Schweiz.

WERKZEUGSATZ

Der Werkzeugsatz (1) befindet sich im Werkzeugkasten hinter der rechten Seitenabdeckung (Seite 40).

Kleinere Reparaturen, Einstell- und Auswechselarbeiten können mit den in diesem Satz enthaltenen Werkzeugen durchgeführt werden.

- 10 × 12-mm-Maulschlüssel
- 14 × 17-mm-Maulschlüssel
- Zange
- 6-mm-Sechskantschlüssel
- Schraubendreher Nr. 2
- Kreuzschlitzschraubendreher Nr. 2
- Schraubendrehergriff
- Schraubendreher-T-Griff
- 17-mm-Steckschlüssel
- 10 × 12-mm-Steckschlüssel
- 22-mm-Steckschlüssel
- 27-mm-Steckschlüssel
- Brechstange
- Zündkerzenschlüssel
- Werkzeutasche



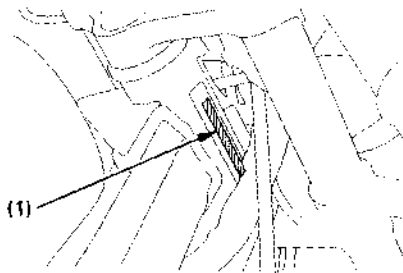
(1) Werkzeugsatz

SERIENNUMMERN

Rahmen- und Motorseriennummer werden bei der Zulassung Ihres Motorrads benötigt. Sie werden u.U. auch von Ihrem HONDA-Vertragshändler benötigt, um Ersatzteile zu bestellen.

Tragen Sie die Nummern hier für spätere Bezugnahme ein.

RAHMEN-NR. _____

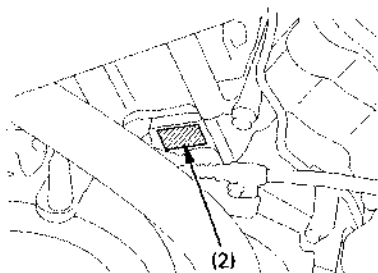


(1) Rahmennummer
56

Die Rahmennummer (1) ist rechts in das Steuerkopffrohr eingestanzt.

Die Motornummer (2) ist auf der rechten Seite des Kurbelgehäuses eingestanzt.

MOTOR-NR. _____



(2) Motornummer

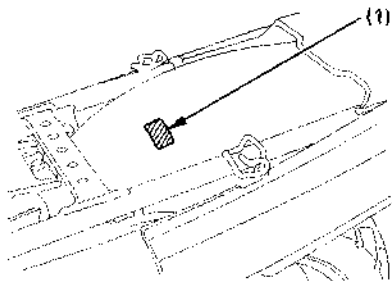
FARBPLAKETTE

Die Farbplakette (1) befindet sich am Schutzblech unter dem Sitz.

Sie wird bei der Bestellung von Ersatzteilen benötigt. Tragen Sie Farbe und Code hier für spätere Bezugnahme ein.

FARBE _____

CODE _____



(1) Farbplakette

WARTUNGSHINWEISE

▲ WARNUNG

- * Falls Ihr Motorrad umgekippt ist oder in einen Unfall verwickelt war, überprüfen Sie Bedienungshebel, Seilzüge, Bremschläuche, Bremssattel, Zubehörteile und andere wichtige Teile auf Beschädigung. Fahren Sie nicht mit dem Motorrad, wenn der sichere Betrieb durch beschädigte Teile gefährdet ist. Lassen Sie wichtige Teile wie Rahmen, Federung und Lenkung von Ihrem HONDA-Vertragshändler auf Verzug und Beschädigung überprüfen, die Sie selbst nicht festzustellen vermögen.
- * Stellen Sie den Motor ab, und stellen Sie das Motorrad auf ebenem Untergrund sicher auf, bevor Sie mit irgendwelchen Wartungsarbeiten beginnen.
- * Benutzen Sie für die Wartung und Reparatur nur Original-HONDA-Ersatzteile oder deren Entsprechungen. Teile, die nicht die gleiche Qualität aufweisen, können die Sicherheit Ihres Motorrads beeinträchtigen.

MOTORÖL

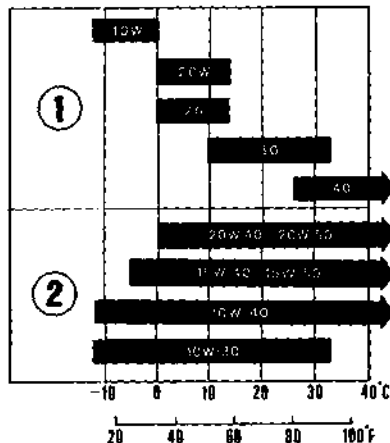
(Lesen Sie die Wartungshinweise auf Seite 57 durch.)

Motoröl

Gutes Motoröl hat viele erwünschte Qualitäten. Verwenden Sie nur hochlösliches Marken-Motoröl, das laut Angaben auf dem Behälter die Qualitätsanforderungen der API-Klassen SE, SF oder SG erfüllt oder übertrifft.

Viskosität:

Der Viskositätsgrad des Motoröls sollte auf der durchschnittlichen Lufttemperatur in Ihrem Fahrgebiet basieren. Die nebenstehende Tabelle soll Ihnen bei der Wahl der richtigen Gradierung oder Viskosität des Öls für verschiedene Lufttemperaturen behilflich sein.



(1) Einbereich

(2) Mehrbereich

Motoröl und Ölfilter

Die Qualität des Motoröls ist der Hauptfaktor für die Betriebsdauer des Motors. Das Motoröl muß gemäß dem vorgegebenen Wartungsplan gewechselt werden (Seite 52). Das Auswechseln des Ölfilters erfordert ein spezielles Ölfilter-Aus/Einbauwerkzeug sowie einen Drehmomentschlüssel. Wenn Sie nicht die erforderlichen Werkzeuge bzw. die technische Geschicklichkeit besitzen, lassen Sie diese Arbeit durch Ihren autorisierten Honda-Händler ausführen. Wenn beim Einbau des Ölfilters kein Drehmomentschlüssel verwendet wurde, suchen Sie bitte sobald wie möglich Ihren Honda-Händler auf, um die Anzugswerte nachprüfen zu lassen.

ZUR BEACHTUNG:

- * Zum Wechseln des Motoröls muß der Motor Betriebstemperatur haben und das Motorrad auf dem Seitenständer stehen, um vollständiges und schnelles Abfließen des Öls zu gewährleisten.

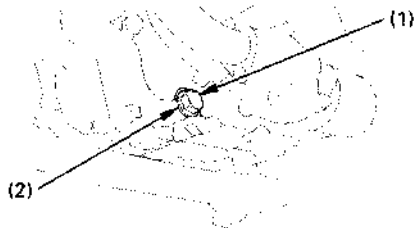
VORSICHT

- * Um Ölauslaufen und Beschädigung des Ölfilters zu vermeiden, darf der Motor niemals am Ölfilter abgestützt werden.

1. Zum Ablassen des Öls Öleinfüllverschluß und Ölablaßschraube (1) her aus drehen, und die Dichtungsscheibe (2) entfernen.

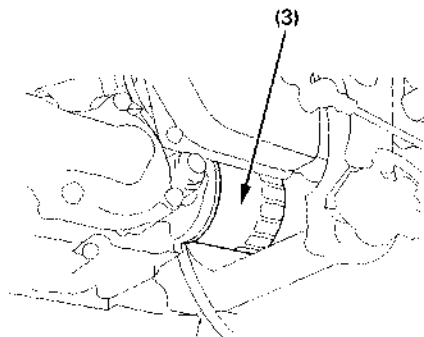
▲ WARNUNG

- * Ein warmgelaufener Motor und das darin befindliche Öl sind heiß; seien sie vorsichtig und verbrennen Sie sich nicht.



(1) Ölablaßschraube (2) Dichtungsscheibe

- Den Ölfilter (3) mit einem Filterschlüssel entfernen und das Restöl ablassen. Den Ölfilter wegwerfen.
- Sicherstellen, daß sich der neue Ölfilter-Gummidichtung in einwandfreiem Zustand befindet.

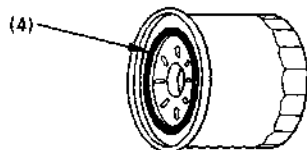


(3) Ölfilter

- Die Gummidichtung (4) des neuen Ölfilters leicht mit Motoröl anfeuchten.
- Für den Einbau des Ölfilters ein Spezialwerkzeug (Ölfilter-Aus/Einbauwerkzeug) sowie einen Drehmomentschlüssel verwenden und auf den folgenden Anzugswert festziehen:

10 N·m (1,0 kgf·m)

Einen Original-Honda-Ölfilter oder einen Filtereinsatz gleichwertiger Qualität für dieses Modell verwenden. Bei Verwendung anderer Honda-Filter oder Nicht-Honda-Filter, die nicht von gleichwertiger Qualität sind, kann es zur Beschädigung des Motors kommen.



(4) Ölfilter-Gummidichtung

6. Prüfen, ob die Dichtungsscheibe auf der Ab-
laßschraube in gutem Zustand ist, dann die
Ab-
laßschraube installieren. Die
Dichtungsscheibe bei jedem Ölwechsel,
bzw wenn erforderlich, ersetzen.
Drehmoment der Ab-
laßschraube:
34 N-m (3,5 kgf-m)
7. Das Kurbelgehäuse mit dem empfohlenen
Öl füllen. Füllmenge:
2,6 l
8. Den Öleinfüllverschluß anbringen.
9. Den Motor anlassen und 2 – 3 Minuten mit
Leerlaufdrehzahl laufen lassen.
10. Den Motor abstellen und bei aufrecht auf
ebenem Boden stehenden Motorrad prüfen,
ob sich der Ölstand an der oberen Pegel-
marke auf dem Ölmeßstab befindet. Sicher-
gehen, daß kein Öl ausläuft.

ZUR BEACHTUNG:

- * Wenn das Motorrad unter sehr staubigen
Bedingungen betrieben wird, sollte das Öl
öfter gewechselt werden, als im Wartungs-
plan angegeben ist.

ZUR BEACHTUNG:

- * Bitte beseitigen Sie Altöl so, daß die Um-
welt nicht geschädigt wird. Am besten brin-
gen Sie es zwecks Rückgewinnung in ei-
nem verschlossenen Behälter zur nächsten
Kundendienststelle oder zu einer Abfallver-
wertungsstelle. Altöl sollte weder zum Müll
gegeben, noch achtlos weggeschüttet wer-
den, auch nicht in einen Abguß.

VORSICHT

- * **Altöl kann Hautkrebs verursachen, falls es
wiederholt über längere Zeit mit der Haut
in Berührung kommt. Wenn Sie nicht täg-
lich mit Altöl zu tun haben, ist eine Erkran-
kung allerdings ziemlich unwahrscheinlich.
Trotzdem ist es ratsam, nach dem Um-
gang mit Altöl möglichst bald die Hände
mit Wasser und Seife gründlich zu wa-
schen.**

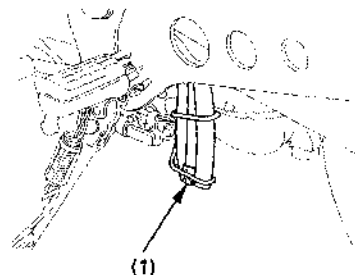
KURBELGEHÄUSE-ENTLÜFTUNG

(Lesen Sie die Wartungshinweise auf Seite 57 durch.)

1. Den Kurbelgehäuse-Entlüftungsschlauchstopfen (1) vom Schlauch entfernen und Ablagerungen in einen geeigneten Behälter ablassen.
2. Anschließend den Kurbelgehäuse-Entlüftungsschlauchstopfen wieder anbringen.

ZUR BEACHTUNG:

- * Häufigere Wartung ist erforderlich, wenn bei Regen oder mit Vollgas gefahren wird, oder nachdem das Motorrad gewaschen wurde oder umgekippt ist. Eine Wartung ist auch erforderlich, wenn Ablagerungen im durchsichtigen Teil des Ablassschlauchs sichtbar sind.



(1) Kurbelgehäuse-Entlüftungsschlauchstopfen

ZÜNDKERZEN

(Lesen Sie die Wartungshinweise auf Seite 57 durch.)

Empfohlene Zündkerzen:

Standard:

DPR8EA-9 (NGK) oder
X24EPR-U9 (DENSO)

Für kaltes Klima: (Unter 5°C)

DPR7EA-9 (NGK) oder
X22EPR-U9 (DENSO)

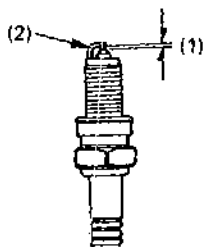
Für längeren Vollastbetrieb:

DPR9EA-9 (NGK) oder
X27EPR-U9 (DENSO)

1. Die-Kerzenstecker von den Zündkerzen abziehen.
2. Jeglichen Schmutz um den Zündkerzensockel herum beseitigen. Die Zündkerze mit dem Zündkerzenschlüssel des Werkzeugsatzes entfernen.

- Die Elektroden und den Isolatorfuß auf Verbrennungsrückstände, Abbrand oder Verrußen untersuchen. Bei starkem Abbrand oder Ablagerungen ist die Zündkerze auszuwechseln. Eine verrußte oder nasse Zündkerze kann mit einem Zündkerzenreiniger oder einer Drahtbürste gereinigt werden.
- Den neuen Elektrodenabstand (1) mit Hilfe einer Fühllehre überprüfen. Gegebenenfalls ist der Elektrodenabstand durch vorsichtiges Biegen der Masseelektrode (2) zu korrigieren.

Elektrodenabstand:
0,80 – 0,90 mm



(1) Elektrodenabstand (2) Masseelektrode

- Die neue Zündkerze mit aufgesetztem Dicht-ring von Hand einschrauben, um eine Gewindebeschädigung zu vermeiden.
- Eine neue Zündkerze ist nach dem Aufsitzen mit dem Zündkerzenschlüssel um 1/2 Umdrehung anzuziehen, um den Dichtring zusammenzupressen. Bei Wiederverwendung der alten Zündkerze genügt eine 1/8 bis 1/4 Umdrehung nach dem Aufsitzen.
- Die Kerzenstecker wieder anbringen.
- Den Wärmeschutz anbringen.

VORSICHT

- * Die Zündkerze muß fest angezogen werden. Eine schlecht angezogene Zündkerze kann sehr heiß werden und möglicherweise den Motor beschädigen.
- * Verwenden Sie niemals eine Zündkerze mit falschem Wärmewert. Es könnte sonst zu schwerwiegender Beschädigung des Motors kommen.

GASDREHGRIFFBETÄTIGUNG

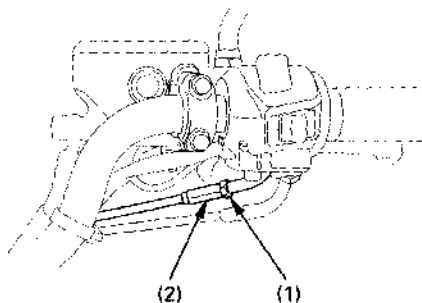
(Lesen Sie die Wartungshinweise auf Seite 57 durch.)

1. Prüfen, ob sich der Gasdrehgriff in allen Lenkerstellungen leicht über den gesamten Drehbereich auf- und zudrehen läßt.

2. Das Gasdrehgriffspiel am Gasdrehgriff-
flansch messen.

Das normale Spiel sollte betragen ca.:
2,0–6,0 mm

Zum Einstellen des Spiels die Gegenmutter
(1) lösen und den Einsteller (2) drehen.



(1) Gegenmutter

(2) Einsteller

LEERLAUFDREHZAHL

(Lesen Sie die Wartungshinweise auf Seite 57 durch.)

Für eine genaue Leerlaufeinstellung muß der Motor normale Betriebstemperatur haben. Zehnminütiges Fahren mit wiederholtem Abbremsen und Beschleunigen ist dazu ausreichend.

ZUR BEACHTUNG:

* Nicht Fehler in anderen Systemen durch Einstellen der Leerlaufdrehzahl auszugleichen versuchen. Lassen Sie die regelmäßigen Vergasereinstellungen gemäß Wartungsplan einschließlich individueller Vergasereinstellung und-synchronisation von Ihrem autorisierten Honda durchführen.

1. Den Motor warmlaufen lassen, das Getriebe auf Leerlauf schalten, und das Motorrad auf seinen Seitenständer stellen.
2. Die Leerlaufdrehzahl mit Hilfe der Leerlaufbegrenzungsschraube (1) einstellen.

Leerlaufdrehzahl

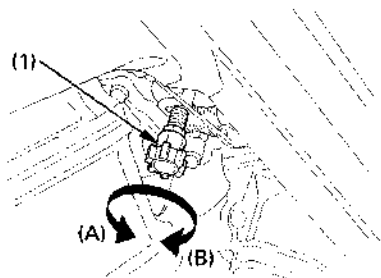
ED, E, F, G, IIG, III G, SP, H-Typ:
 $1.200 \pm 100 \text{ min}^{-1} \text{ (U/min)}$

(bei Leerlaufstellung des Getriebes)

SW-Typ:

$1.200 \pm 50 \text{ min}^{-1} \text{ (U/min)}$

(bei Leerlaufstellung des Getriebes)



(1) Leerlaufbegrenzungsschraube

(A) Erhöhen
(B) Vermindern

ENDANTRIEBSÖL

(Lesen Sie die Wartungshinweise auf Seite 57 durch.)

Das Öl in den im Wartungsplan angegebenen Abständen wechseln.

ZUR BEACHTUNG:

• Zum Wechseln des Öls sollte das Endantriebsgehäuse normale Betriebstemperatur haben und das Motorrad aufrecht auf ebenem Boden stehen, um vollständiges und rasches Ablassen zu gewährleisten.

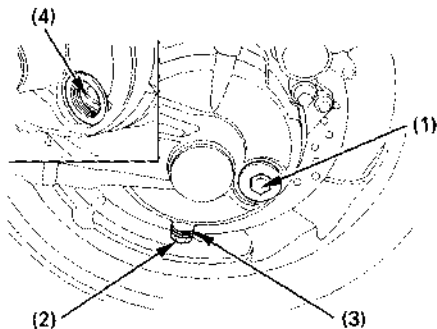
1. Zum Ablassen des Öls Öleinfüllverschluß (1) und Ablaßschraube (2) entfernen.
2. Nachdem das Öl vollkommen abgelassen ist, prüfen, ob die Dichtungsscheibe (3) auf der Ablaßschraube in gutem Zustand ist. Dann die Ablaßschraube wieder eindrehen. Drehmoment der Ablaßschraube:
12 N·m (1,2 kgf·m)

3. Das Endantriebsgehäuse bei aufrecht auf ebenem Boden stehenden Motorrad mit dem empfohlenen Öl füllen.

Füllmenge:
110 cm³

Das Endantriebsgehäuse muß bis zur Unterkante der Kontrollöffnung (4) mit dem empfohlenen Öl gefüllt werden.

4. Den Öleinfüllverschluß anbringen.



- (1) Öleinfüllverschluß (3) Dichtungsscheibe
(2) Ölablaßschraube (4) Kontrollöffnung

AUSBAU DER RÄDER

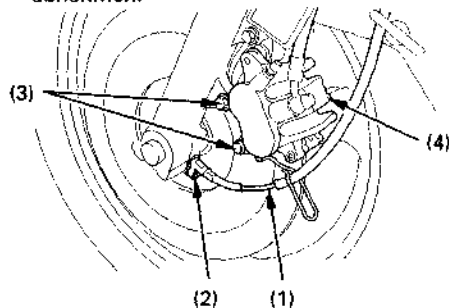
(Lesen Sie die Wartungshinweise auf Seite 57 durch.)

ZUR BEACHTUNG:

* Dieses Motorrad ist nur mit einem Seitenständer ausgestattet. Daher ist es zum Ausbau des Vorder- oder Hinterrades erforderlich, den Mittelteil des Motorrads mit einem geeigneten Hilfsmittel anzuheben und abzustützen. Falls solche Hilfsmittel nicht vorhanden sind, lassen Sie diese Arbeit von Ihrem HONDA-Vertragshändler ausführen.

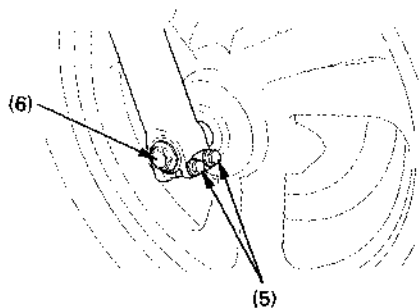
Ausbau des Vorderrads

1. Das Vorderrad vom Boden abheben und eine Stütze unter den Motor stellen.
2. Die Halteschraube (2) der Tachometerwelle (1) herausdrehen, um die Welle herauszuziehen.
3. Die Bremssattel-Befestigungsschrauben (3) herausdrehen und den Bremssattel (4) abnehmen.



- (1) Tachowelle
- (2) TachowellenHalteschraube
- (3) Bremssattel-Befestigungsschrauben
- (4) Bremssattel

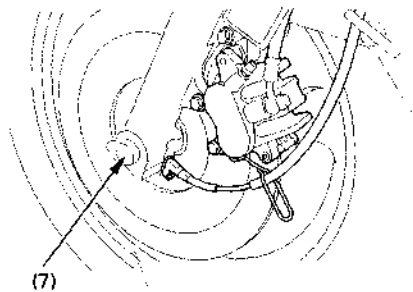
4. Rechte und linke Achsklemmschraube (5) lösen, dann die Achsschraube (6) entfernen.
5. Die Vorderachse (7) herausziehen, und das Vorderrad entfernen.



(5) Achsklemmschrauben
(6) Achsschraube

ZUR BEACHTUNG:

- * Bei ausgebautem Vorderrad nicht den Bremshebel anziehen. Die Bremssattelkolben werden aus den Zylindern herausgedrückt, was mit zusätzlichem Verlust von Bremsflüssigkeit verbunden ist. Sollte dies eintreten, muß das Bremssystem instandgesetzt werden. Lassen Sie diese Arbeit von Ihrem HONDA-Vertragshändler ausführen.



(7) Vorderachse

Einbauhinweise:

- Sicherstellen, daß die Nase (8) am Gabelholm die Nase am Tachoantrieb berührt. Achsschraube und Achsklemmschrauben auf das vorgeschriebene Anzugsdrehmoment anziehen.

Achsschrauben-Anzugsdrehmoment:

59 N-m (6,0 kgf-m)

Achsklemmschrauben-

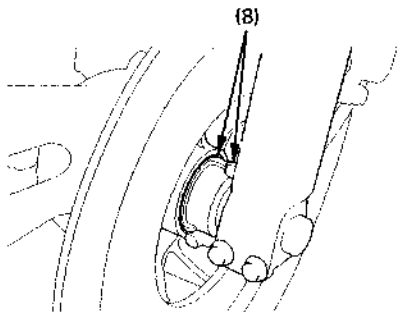
Anzugsdrehmoment:

22 N-m (2,2 kgf-m)

- Den Bremssattel über die Bremsscheibe passen und hierbei darauf achten, die Bremsklötze nicht zu beschädigen. Die Bremssattelbefestigungsschrauben einsetzen und anziehen auf:
30 N-m (3,1 kgf-m)
- Die Tachometerwelle mit der Halteschraube sichern.
- Nach dem Einbau des Rads die Bremse mehrmals betätigen und nach dem Loslassen des Bremshebels prüfen, ob sich das Rad ungehindert dreht. Das Rad nachkontrollieren, wenn es sich nicht ungehindert dreht, oder wenn die Bremse schleift.

▲ WARNUNG

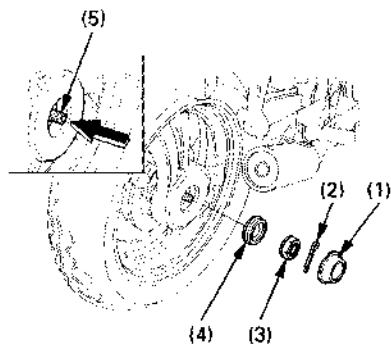
- Falls Sie zum Einbauen keinen Drehmomentschlüssel zur Verfügung haben, lassen Sie den Einbau möglichst bald von Ihrem HONDA-Vertragshändler überprüfen. Falscher Einbau kann die Bremsleistung verschlechtern.



(8) Nasen

Ausbau des Hinterrads

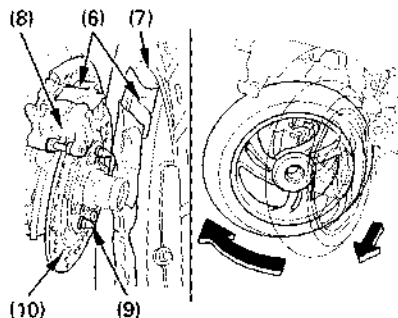
1. Das Hinterrad vom Boden abheben und eine Stütze unter den Motor stellen.
2. Kappe (1), Splint (2) und Achsmutter (3) abnehmen und dann die Achsmittelhülse (4) entfernen.
3. Die Achse (5) in die Radnabe hineindrücken.



- (1) Kappe
- (2) Splint
- (3) Achsmutter

- (4) Achsmittelhülse
- (5) Achse

4. Felge (7) und Bremssattel (8) mit Isolierband (6) abdecken, um Beschädigung des Rads zu vermeiden.
5. Das Rad von den Mitnehmerstiften (9) abnehmen und zwischen Bremsscheibe (10) und Schafldämpfer nach hinten ziehen.
6. Dann das Rad nach links schwenken und wie in der Abbildung gezeigt nach hinten herausziehen.



- (6) Isolierband
- (7) Radfelge
- (8) Bremssattel

- (9) Mitnehmerstifte
- (10) Bremsscheibe

Einbauhinweise:

- Die Achse so installieren, daß die Verzahnung auf die Radnabe ausgerichtet ist.
- Das Gewinde der Achse einfetten.
- Die Paßflächen von Radnabe und Rad säubern.
- Das Hinterrad so montieren, daß die Indexmarken (11) von Radnabe und Rad übereinstimmen.
- Einen neuen Splint einsetzen und die Kappe fest andrücken.
- Die Achsmuttern installieren und mit dem vorgeschriebenen Drehmoment anziehen.
Drehmoment der Achsmutter:
118 N·m (12,0 kgf·m)

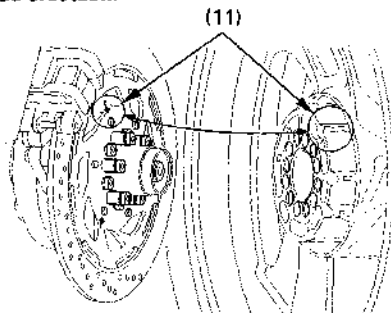
Nach dem Einbau des Rads die Bremse mehrmals betätigen und nach dem Loslassen des Bremshebels prüfen, ob sich das Rad ungehindert dreht. Das Rad nachkontrollieren, wenn es sich nicht ungehindert dreht, oder wenn die Bremse schleift.

▲ WARNUNG

- * Falls Sie zum Einbauen keinen Drehmomentschlüssel zur Verfügung haben, lassen Sie den Einbau möglichst bald von Ihrem HONDA-Vertragshändler überprüfen. Falscher Einbau kann die Bremsleistung verschlechtern.

VORSICHT

- * Gebrauchte Splinte sind stets durch neue zu ersetzen.



(11) Indexmarken

ÜBERPRÜFUNG DER VORDER - UND HINTERRADAUFHÄNGUNG

(Lesen Sie die Wartungshinweise auf Seite 57 durch.)

1. Die Teleskopgabel durch Anziehen der Vorderradbremse und heftiges Hoch- und Niederdrücken der Gabel überprüfen. Die Federwirkung sollte weich sein, und es darf kein Öl auslaufen.
2. Die Schwingarmlager sind zu überprüfen, indem bei hochgebocktem Motorrad fest gegen eine Seite des Hinterrads gedrückt wird. Ein vorhandenes Spiel zeigt an, daß die Lager ausgeschlagen sind.
3. Alle Befestigungsteile der Vorder- und Hinterradfederung sorgfältig auf einwandfreie Festigkeit überprüfen.

BREMSBELAGVERSCHLEISS

(Lesen Sie die Wartungshinweise auf Seite 57 durch.)

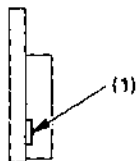
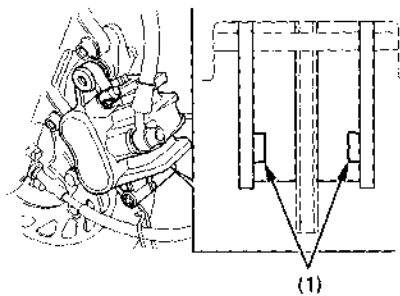
Der Bremsklotzverschleiß hängt von den Einsatzbedingungen, dem Fahrstil und den Straßenbedingungen ab. (Als Faustregel gilt, daß Bremsklötze bei Fahrten auf nassen und schmutzigen Straßen schneller verschleifen.) Die Bremsklötze bei jedem fälligen Kundendienst gemäß Wartungsplan überprüfen (Seite 53).

Vorderradbremse

Den Ausschnitt (1) in jedem Bremsklotz überprüfen.

Wenn ein Bremsklotz bis zum Ausschnitt abgenutzt ist, beide Klötze als Satz auswechseln. Lassen Sie diese Wartungsarbeit von Ihrem Honda-Händler durchführen.

<VORDERRADBREMSE>



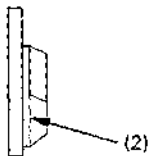
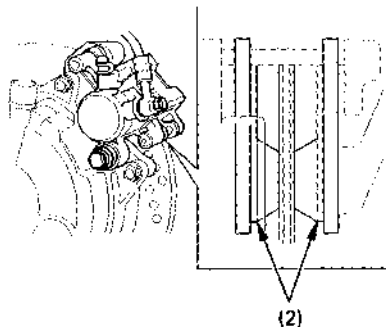
(1) Ausschnitt

Hinterradbremse

Die Verschleißanzeigemarke (2) an jedem Bremsklotz überprüfen.

Wenn ein Bremsklotz bis zur Verschleißanzeigemarke abgenutzt ist, beide Klötze als Satz auswechseln. Lassen Sie diese Wartungsarbeit von Ihrem Honda-Händler durchführen.

<HINTERRADBREMSE>



(1) Verschleißanzeigemarke

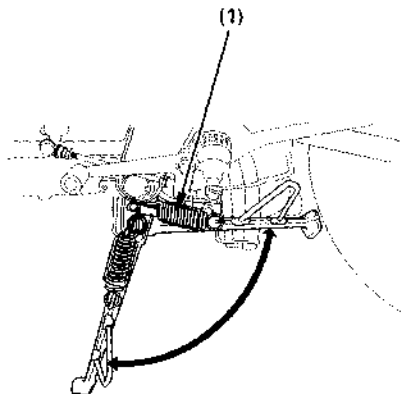
SEITENSTÄNDER

(Lesen Sie die Wartungshinweise auf Seite 57 durch.)

Das Seitenständersystem auf Funktionstüchtigkeit überprüfen.

- Die Feder (1) auf Beschädigung oder Spannungsverlust und das Seitenständersystem auf Leichtgängigkeit überprüfen.
- Die Zündstromunterbrechung überprüfen:
 1. Setzen Sie sich rittlings auf das Motorrad. Den Seitenständer hochklappen und das Getriebe in den Leertauf schalten.
 2. Den Motor anlassen und bei angezogenem Kupplungshebel einen Gang einlegen.
 3. Den Seitenständer vollkommen ausklappen. Der Motor muß ausgehen, sobald der Seitenständer ausgeklappt wird.

Falls das Seitenständersystem nicht wie beschrieben funktioniert, lassen Sie es von Ihrem Honda-Vertragshändler warten.



(1) Feder

BATTERIE

(Lesen Sie die Wartungshinweise auf Seite 57 durch.)

Da es sich um eine wartungsfreie (versiegelte) Batterie handelt, erübrigt sich das Kontrollieren des Elektrolytstands oder das Nachfüllen von destilliertem Wasser. Falls Elektrolytschwund festgestellt wird und /oder die Batterie erschöpft zu sein scheint (was sich durch Startschwierigkeiten oder sonstige elektrische Störungen äußert), wenden Sie sich an Ihren HONDA-Vertragshändler.

VORSICHT

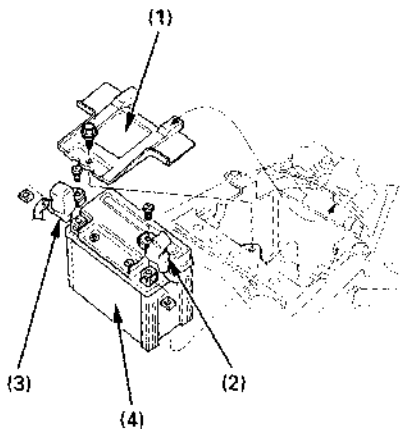
- * Nicht versuchen, den Batterie-Verschlußstreifen zu entfernen, da dies zu einer Beschädigung des Verschlußstreifens Undichtigkeit und im Laufe der Zeit zu einem Batterieschaden führen kann.
- * Wenn das Motorrad für längere Zeit außer Betrieb genommen werden soll, die Batterie ausbauen und voll aufladen. Dann die Batterie an einem kühlen, trockenen Ort lagern. Soll die Batterie im Motorrad eingebaut bleiben, das negative Kabel von der Batterie abklemmen.

▲ WARNUNG

- * Die Batterie erzeugt explosive Gase. Funken, Flammen und brennende Zigaretten fernhalten. Beim Laden oder Gebrauch der Batterie in einem geschlossenen Raum für ausreichende Belüftung sorgen.
- * Die Batterie enthält Schwefelsäure (Elektrolyt). Der Kontakt mit Schwefelsäure kann schwere Verbrennungen verursachen. Augen und Haut vor Berührung schützen. Beim Umgang mit Batterien schützende Kleidung und Gesichtsschutz tragen.
 - Falls Elektrolyt auf die Haut gelangt, mit Wasser abspülen.
 - Falls Elektrolyt in die Augen gelangt, mindestens 15 Minuten lang mit Wasser ausspülen und sofort einen Arzt rufen.
- * Elektrolyt ist giftig.
 - Falls Elektrolyt versehentlich geschluckt wird, große Mengen von Wasser oder Milch trinken, anschließend Magnesiummilch oder Pflanzenöl einnehmen und in ärztliche Behandlung begeben.
- * AUSSER REICHWEITE VON KINDERN HALTEN.

Entfernen der Batterie:

1. Den Sitz entfernen (Seite 39).
2. Die Befestigungsschrauben herausdrehen und den Batteriedeckel (1) entfernen.
3. Zuerst das negative (-) Kabel (2), dann das positive (+) Kabel (3) von der Batterie abklemmen.
4. Die Batterie (4) vom Batteriekasten herausziehen.



- (1) Batteriedeckel
- (2) Negatives (-) kabel
- (3) Positives (+) kabel
- (4) Batterie

AUSWECHSELN DER SICHERUNGEN

(Lesen Sie die Wartungshinweise auf Seite 57 durch.)

Häufiges Durchbrennen der Sicherungen läßt gewöhnlich auf einen Kurzschluß oder eine Überlastung der elektrischen Anlage schließen. Lassen Sie Reparaturen von Ihrem HONDA-Vertragshändler ausführen.

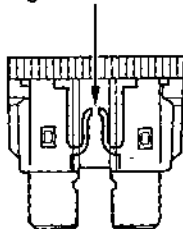
VORSICHT

- Vor dem Überprüfen oder Auswechseln von Sicherungen die Zündung ausschalten, um einen versehentlichen Kurzschluß zu vermeiden.

▲ WARNUNG

- Auf keinen Fall eine Sicherung mit einer anderen Nennkapazität als der vorgeschriebenen verwenden. Der Gebrauch einer solchen Sicherung kann zu ernsthafter Beschädigung der elektrischen Anlage oder einem Brand führen, wodurch ein gefährlicher Ausfall der Beleuchtung oder des Motors verursacht werden kann.

Durchgebrannte Sicherung

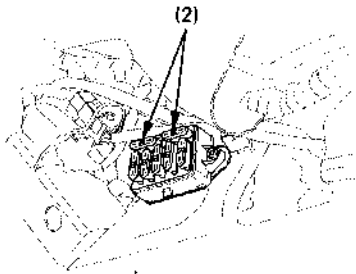
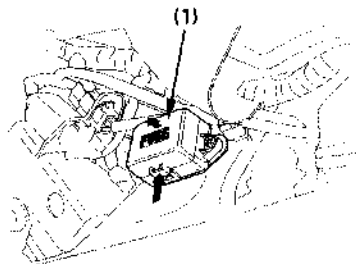


Sicherungskasten:

Der Sicherungskasten befindet sich hinter dem rechten Seitendeckel. Vorgeschriebene Sicherungen:

10A, 15A

1. Den rechten Seitendeckel entfernen (Seite 40).
2. Den Sicherungskastendeckel (1) entfernen.
3. Die alte Sicherung herausziehen und eine neue Sicherung einsetzen.
Die Reservesicherungen (2) befinden sich im Sicherungskasten.
4. Den Sicherungskastendeckel und den rechten Seitendeckel anbringen.



- (1) Sicherungskasten-deckel
(2) Reservesicherungen

Hauptsicherung:

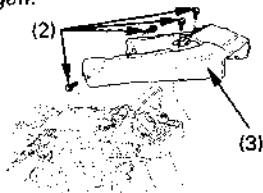
Die Hauptsicherung (1) befindet sich die Rückseite der hinteren Verkleidung. Die vorgeschriebene Sicherung ist:

30A

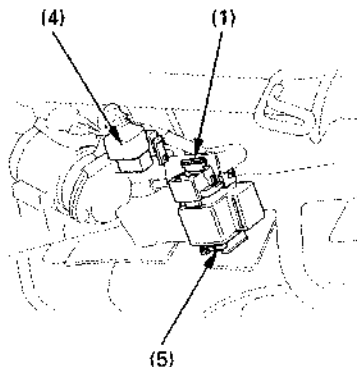
1. Den Sitz entfernen (Seite 39).
2. Die vier Schrauben (2) entfernen und die hintere Verkleidung (3) abnehmen.
3. Den Kabelsteckverbinder (4) des Anlassermagnetschalters abtrennen.
4. Die alte Sicherung herausziehen und eine neue Sicherung einsetzen.

Die Reservesicherung (5) befindet sich am Anlassermagnetschalterhalter.

5. Den Steckverbinder wieder anschließen, dann die hintere Verkleidung und den Sitz anbringen.



(2) Schrauben (3) Hintere Verkleidung



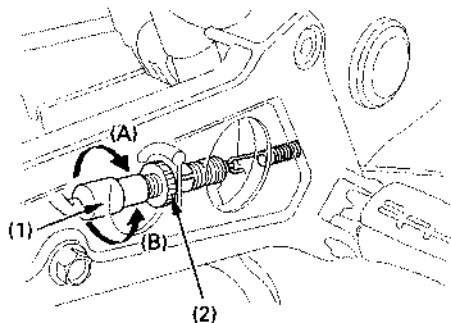
(1) Hauptsicherung
(4) Kabelsteckverbinder
(5) Reservesicherung

EINSTELLUNG DES BREMSLICHTSCHALTERS

(Lesen Sie die Wartungshinweise auf Seite 57 durch.)

Die Funktion des rechts hinter dem Motor liegenden Bremslichtschalters (1) von Zeit zu Zeit überprüfen.

Die Einstellung erfolgt durch Drehen der Einstellmutter (2). Die Mutter in Richtung (A) drehen, falls der Schalter zu spät anspricht. Falls der Schalter zu früh anspricht, die Mutter in Richtung (B) drehen.



(1) Bremslichtschalter (2) Einstellmutter

REINIGEN

Reinigen Sie Ihr Motorrad regelmäßig, um die lackierten Flächen zu schützen, und überprüfen Sie es auf Beschädigung, Verschleiß und Auslaufen von Öl, Kühlmittel oder Bremsflüssigkeit.

VORSICHT

*** Hoher Wasser- oder Luftdruck kann bestimmte Bauteile des Motorrads beschädigen.**

Die folgenden Bereiche dürfen nicht mit hohem Wasserdruck (wie er in Münzwaschanlagen vorkommt) gereinigt werden:

Zündschalter	Radnaben
Sitzunterseite	Vergaser
Bremshauptzylinder	Lenkerschalter
Schalldämpferöffnung	Instrumente
Unterseite des Kraftstofftanks	

1. Spülen Sie das Motorrad nach dem Reinigen reichlich mit sauberem Wasser ab. Waschmittelreste können an legierten Metallteilen Korrosion hervorrufen.

ZUR BEACHTUNG:

- * Die Kunststoffteile mit einem in milder Seifenlösung getränktem Tuch oder Schwamm reinigen. Verschmutzte Stellen vorsichtig abwischen und mehrmals mit sauberem Wasser abspülen.
2. Das Motorrad trockenwischen, den Motor anlassen und für einige Minuten laufen lassen.
 3. Prüfen Sie die Bremsen, bevor Sie das Motorrad fahren. Lassen Sie die Bremsen eventuell kurz schleifen, um die normale Bremswirkung wiederherzustellen.

AWARNUNG

*** Die Bremsleistung kann unmittelbar nach dem Waschen des Motorrads beeinträchtigt sein. Halten Sie ausreichenden Abstand für einen längeren Bremsweg, um einen möglichen Unfall zu vermeiden.**

Pflege der Leichtmetallräder

Aluminium korrodiert, wenn es mit Staub, Schlamm, Streusalz usw. in Berührung kommt. Reinigen Sie die Räder nach dem Fahren mit einem nassen Schwamm und milder Seifenlauge. Auf keinen Fall harte Bürsten, Stahlwolle, Scheuermittel oder aggressive chemische Reinigungsmittel verwenden.

Anschließend mit Wasser gut abspülen und mit einem sauberen Lappen trockenreiben.

Schadstellen mit Ausbesserungslack behandeln.

HINWEISE ZUR STILLEGUNG

Längere Lagerung, z. B. während der Winterseason, erfordert bestimmte Vorkehrungen, um negativen Folgeerscheinungen der Stilllegung des Motorrads vorzubeugen. Außerdem sollten nötige Reparaturen vor der Lagerung des Motorrads durchgeführt werden. Andernfalls könnten diese Reparaturen in Vergessenheit geraten, bis das Motorrad wieder in Betrieb genommen wird.

AUSSERBETRIEBNAHME

1. Motoröl und Ölfilter wechseln.
2. Sicherstellen, daß das Kühlsystem mit einer Mischung aus Wasser und Frostschutzmittel im Verhältnis 50:50 gefüllt ist.
3. Den Inhalt des Kraftstofftanks mit Hilfe eines handelsüblichen Handabsaugers oder nach einem gleichwertigen Verfahren in einen für Benzin zugelassenen Behälter ablassen. Die Innenseite des Tanks mit Aerosol-Rostschutzöl einsprühen. Den Tankdeckel wieder anbringen.

ZUR BEACHTUNG:

- * Falls die Stilllegung länger als einen Monat dauern soll, unbedingt den Vergaser entleeren, damit eine zuverlässige Fahrzeugleistung nach der Stilllegung wieder gewährleistet ist.

▲ WARNUNG

- * **Benzin ist äußerst feuergefährlich und unter gewissen Bedingungen explosiv. Diese Wartungsarbeiten müssen in einem gut belüfteten Arbeitsbereich und bei abgestelltem Motor vorgenommen werden. Beim Tanken bzw. im Kraftstoff-Aufbewahrungsbereich nicht rauchen; offene Flammen und Funken sind fernzuhalten.**

4. Zur Vermeidung von Rostbildung in den Zylindern:

- Die Zündkerzenstecker von den Zündkerzen abziehen. Die Zündkerzenstecker mit Band oder Schnur an einem günstig gelegenen Kunststoff-Rahmenteil von den Zündkerzen entfernt sichern.
- Die Zündkerzen herausdrehen und an sicherer Stelle aufbewahren. Die Zündkerzen nicht in die Zündkerzenstecker stecken.
- Einen Eßlöffel (15–20 cm³) sauberen Motoröls in jeden Zylinder füllen, und die Zündkerzenlöcher mit einem Stoffstück abdecken.
- Den Motor einige Male durchkurbeln, um das Öl zu verteilen.
- Zündkerzen und Zündkerzenstecker wieder anbringen.

5. Die Batterie ausbauen und an einem vor Frosttemperaturen und direktem Sonnenlicht geschützten Ort aufbewahren. Die Batterie einmal im Monat langsam aufladen.

6. Das Motorrad waschen und trocknen. Alle lackierten Flächen wachsen. Chromteile mit Rostschutzöl bestreichen.

7. Die Reifen auf den empfohlenen Fülldruck aufpumpen. Das Motorrad aufbocken, um beide Räder vom Boden abzuheben.

8. Das Motorrad abdecken (kein Plastik oder sonstige beschichtete Stoffe verwenden) und in einem ungeheizten Raum, frei von Feuchtigkeit und mit minimalen täglichen Temperaturschwankungen abstellen. Das Motorrad nicht in direktem Sonnenlicht abstellen.

WIEDERINBETRIEBNAHME

1. Das Motorrad aufdecken und reinigen.
Das Motoröl wechseln, falls mehr als 4 Monate seit Beginn der Stilllegung vergangen sind.
2. Die Batterie gegebenenfalls laden. Die Batterie einbauen.
3. Überschüssiges Rostschutzöl vom Kraftstofftank ablassen. Den Kraftstofftank mit frischem Benzin füllen.
4. Den Endantriebsölstand überprüfen und gegebenenfalls das empfohlene Getriebeöl nachfüllen. Das Endantriebsöl gemäß den Angaben im Wartungsplan wechseln.
5. Alle Kontrollen der Überprüfung vor dem Fahren (Seite 41) durchführen.
Das Motorrad mit niedrigen Drehzahlen in einem sicheren Fahrgebiet abseits vom Verkehr probefahren.

TECHNISCHE DATEN

ABMESSUNGEN

Gesamtlänge	2.190 mm ...G, IIG, IIIG, SW
	2.150 mm ...ED, E, F, SP, H
Gesamtbreite	765 mm
Gesamthöhe	1.080 mm
Radstand	1.465 mm
Bodenfreiheit	165 mm

GEWICHT

Trockengewicht	190,8 kg ...ED, E, F, G, IIG, IIIG, SP, H
	191,8 kg ...SW

ZULADUNG UND FÜLLMENGEN

Motoröl	
bei Ölwechsel	2,4 l
bei Öl- und Ölfilterwechsel	2,6 l
nach Zerlegung	3,0 l
Kraftstofftank	19,0 l
Reservekraftstoff	2,5 l
Kühlsystem	1,8 l
Zahl der Sitzplätze	Fahrer und Beifahrer
Zulässiges Zuladungsgewicht	191 kg ...ED, E, F, G, IIG, IIIG, SP, H
	190 kg ...SW

MOTOR

Bohrung und Hub	79,0 × 66,0 mm
Verdichtungsverhältnis	9,2 : 1
Hubraum	647 cm ³
Zündkerze	
Standard	DPR8EA – 9 (NGK) oder X24EPR – U9 (DENSO)
Für kaltes Klima (unter 5°C)	DPR7EA – 9 (NGK) oder X22EPR – U9 (DENSO)
Für längeren Vollastbetrieb	DPR9EA – 9 (NGK) oder X27EPR – U9 (DENSO)
Elektrodenabstand	0,80 – 0,90 mm
Leertaufdrehzahl	1.200 ± 100 min ⁻¹ (U/min)...ED, E, F, G, IIG, III, SP, H 1.200 ± 50 min ⁻¹ (U/min)...SW
Ventilspiel (kalt)	
Einlaß	0,15 mm
Auslaß	0,20 mm

FAHRGESTELL UND FEDERUNG

Nachlaufwinkel	28°
Nachlaufbetrag	119 mm
Reifengröße, vorne	110/80 – 17 57H
Reifengröße, hinten	150/70 – 17 69H

KRAFTÜBERTRAGUNG

Primäruntersetzung	1,763
Gangabstufung, 1. Gang	3,000
2. Gang	1,941
3. Gang	1,500
4. Gang	1,240
5. Gang	1,074
Enduntersetzung	2,909

ELEKTRIK

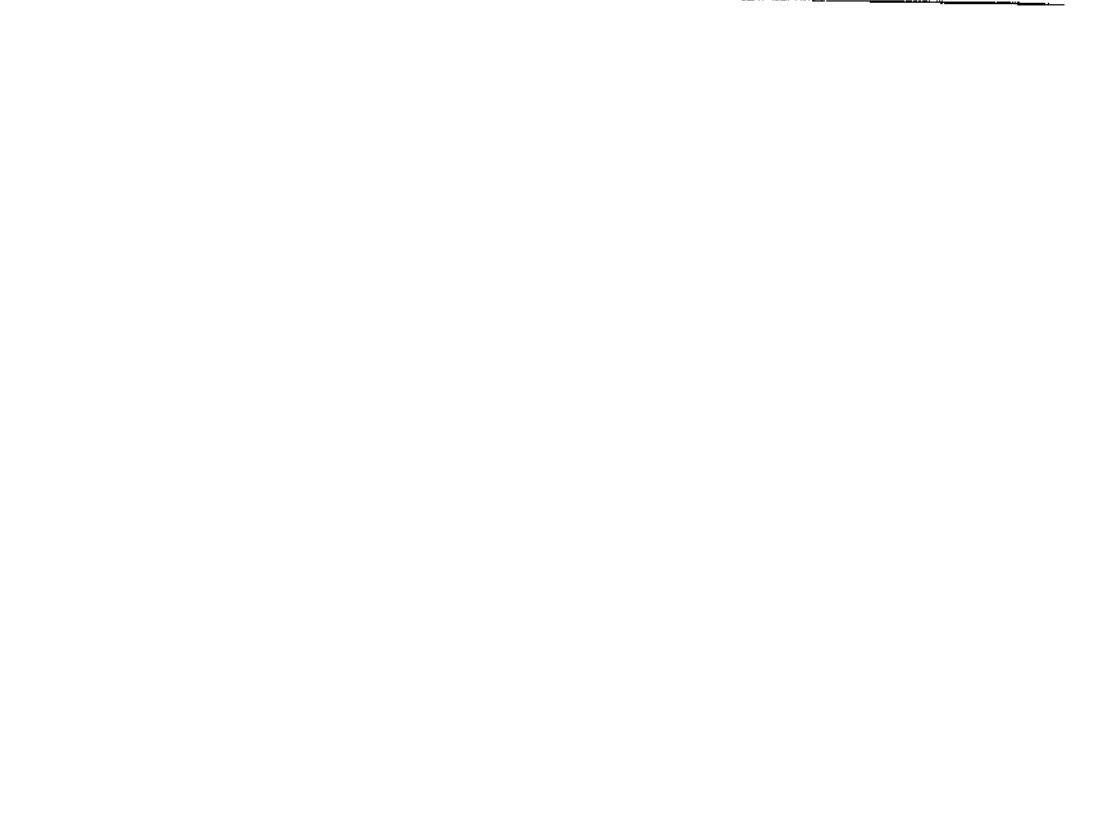
Batterie	12V – 8Ah
Lichtmaschine	0,284 kw/5.000 min ⁻¹ (U/min)

BELEUCHTUNG

Scheinwerfer	12V – 60/55W	
Schluß-/Bremslicht	12V – 21/5W × 2	
Blinklicht	Vorn Hinten	12V – 21W
Standlicht	12V – 4W	
Tachometer Beleuchtung	12V – 1,7W	
Drehzahlmesser Beleuchtung	12V – 1,7W × 2	
Leerlauf-Anzeige	12V – 1,7W	
Blinker-Anzeige	12V – 1,7W	
Fernlicht-Anzeige	12V – 1,7W	
Anzeige für niedrigen öldruck	12V – 1,7W	
Seitenständer-Anzeige	12V – 1,7W	

SICHERUNG

Hauptsicherung	30A
Andere zekeringen	10A, 15A



HONDA MOTOR CO., LTD.

37MZ6620
00X37 MZ6-6200



10009609

PRINTED IN JAPAN