

# BAROSSA

## 50 MINI SPARE PARTS LIST



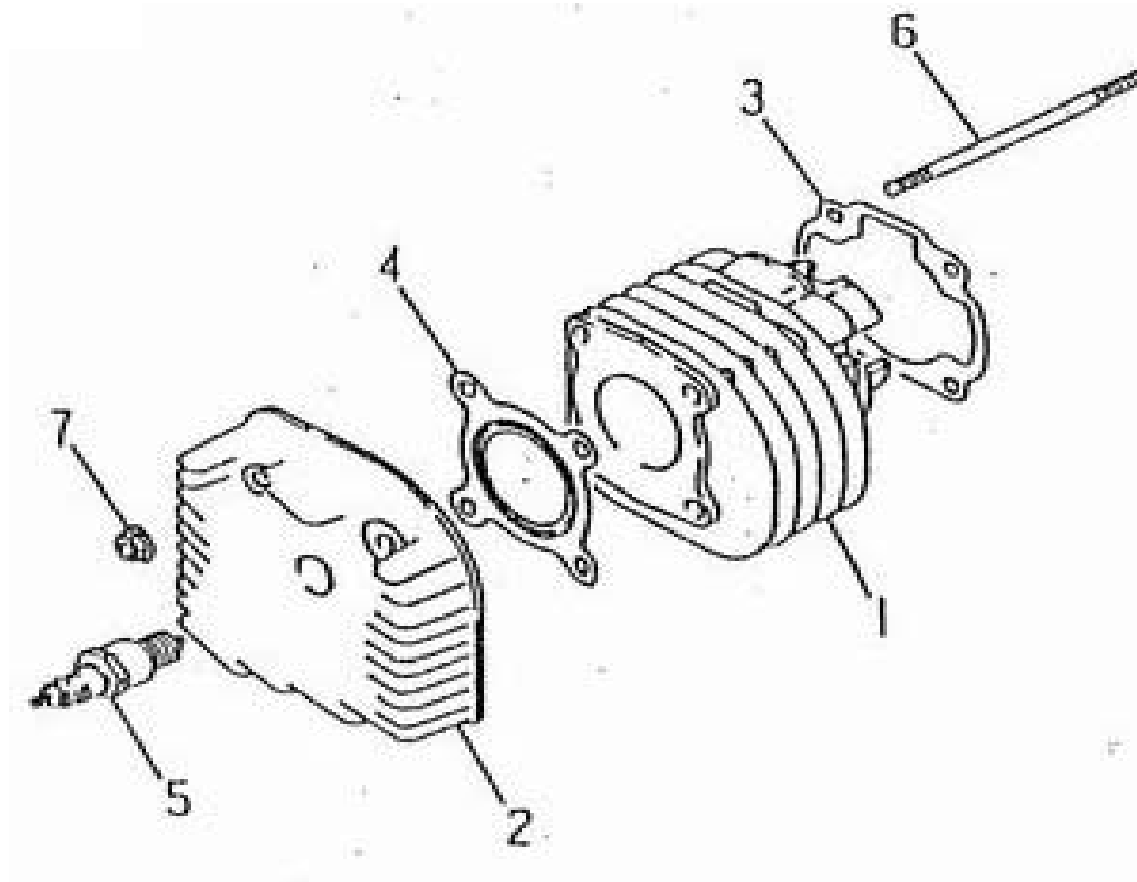
# BAROSSA MOTOR INDUSTRY CO., LTD.

## C O N T E N T

### SPARE PARTS LIST FOR AK3

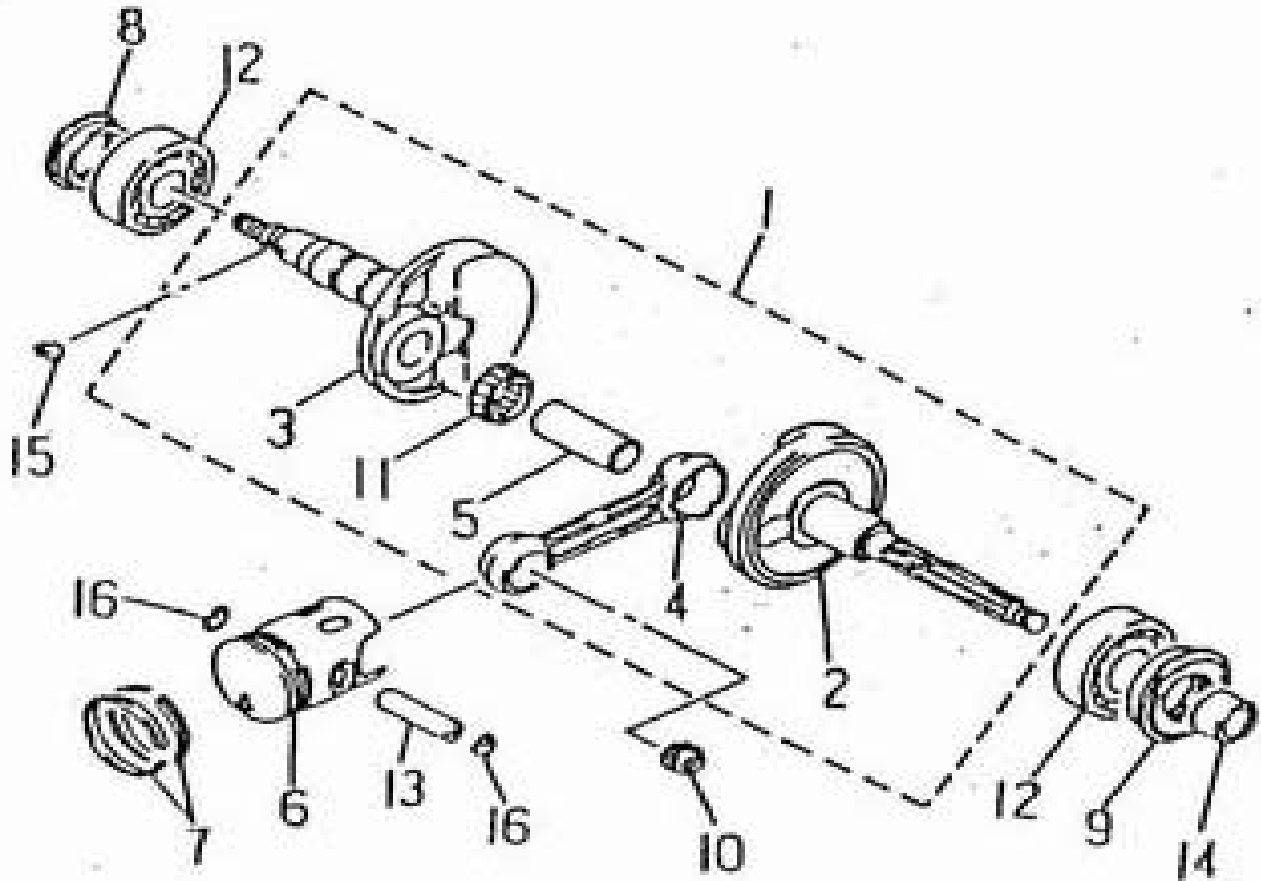
FIG 01	CYLINDER
FIG 02	CRANKSHAFT PISTON
FIG 03	AIR SHROUD . FAN
FIG 04	OIL PUMP
FIG 05	CARBURETOR
FIG 06	INTAKE
FIG 07	CRANKCASE
FIG 08	STARTER
FIG 09	CLUTCH
FIG 10	TRANSMISSION
FIG 11	GENERATOR
FIG 12	STARTING MOTOR
FIG 13	EXHAUST MUFFLER
FIG 14	REAR SUSPENSION
FIG 15	FRAME
FIG 16	FRONT SUSPENSION
FIG 17	STEERING
FIG 18	FUEL TANK
FIG 19	FRONT FENDER WARNING
FIG 20	SEAT
FIG 21	FRONT WHEEL
FIG 22	REAR WHEEL
FIG 23	REAR BRAKE
FIG 24	STEERING HANDLE CABLE
FIG 25	HANDLE SWITCH
FIG 26	WIRE HARNESS
FIG 27	HEAD LIGHT
FIG 28	REMOTE CONTROL ENGINE STOP SWITCH
FIG 29	SPARE PARTS LIST

# CYLINDER



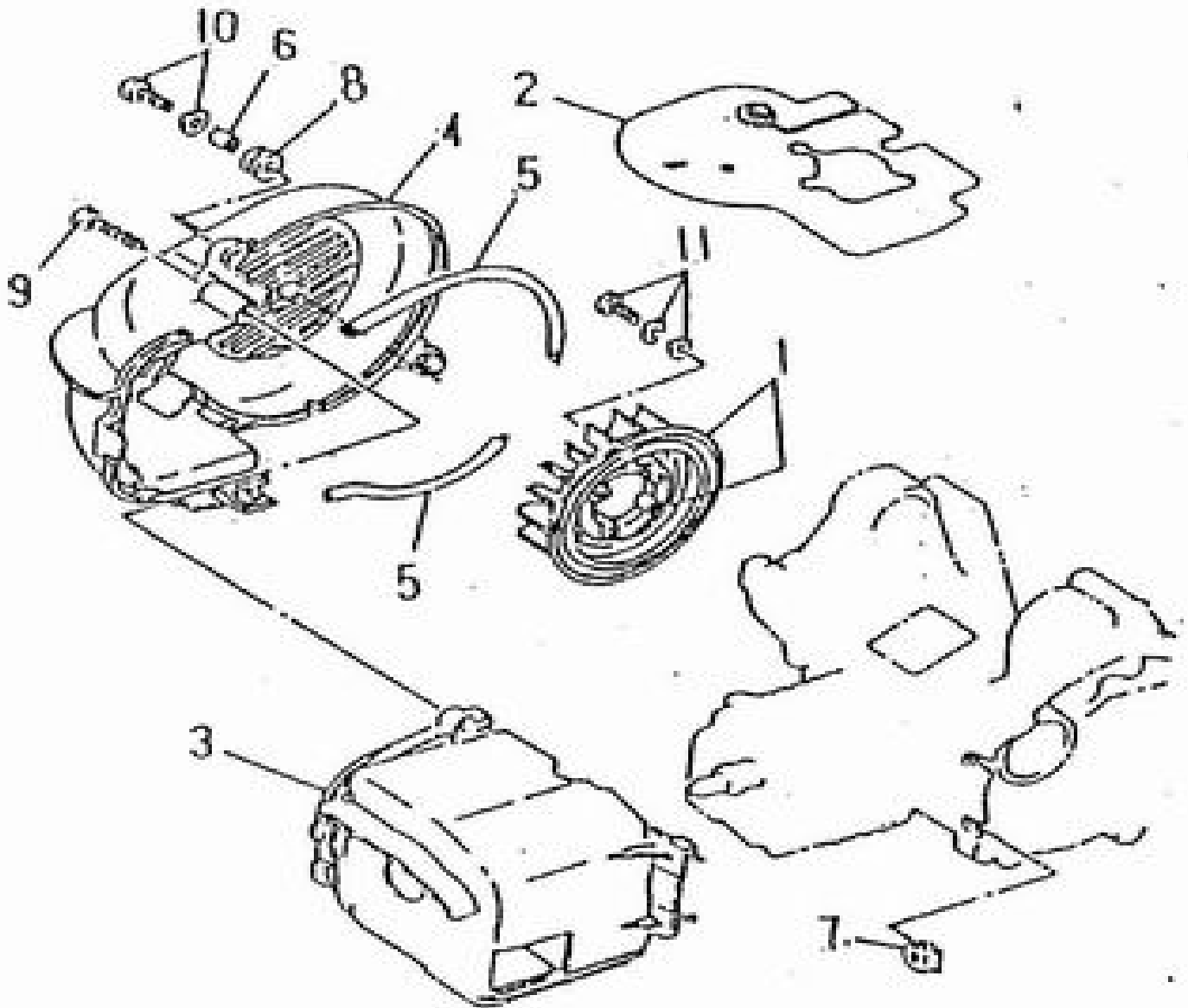
NO	PARTS NO.	PARTS NAME	Q'TY
1	11111-NAF-00B	CYLINDER	1
2	11121-NAF-00	HEAD, cylinder	1
3	11151-NAF-00	GASKET, cylinder	1
4	11181-NAF-00	GASKET, cylinder head	1
5	62210-NAF-01	PLUG, spark (NGK BPR7HS)	1
6	94717-07109-C	BOLT, stud	4
7	95401-071007-C	NUT, flange	4

# CRANKSHAFT PISTON



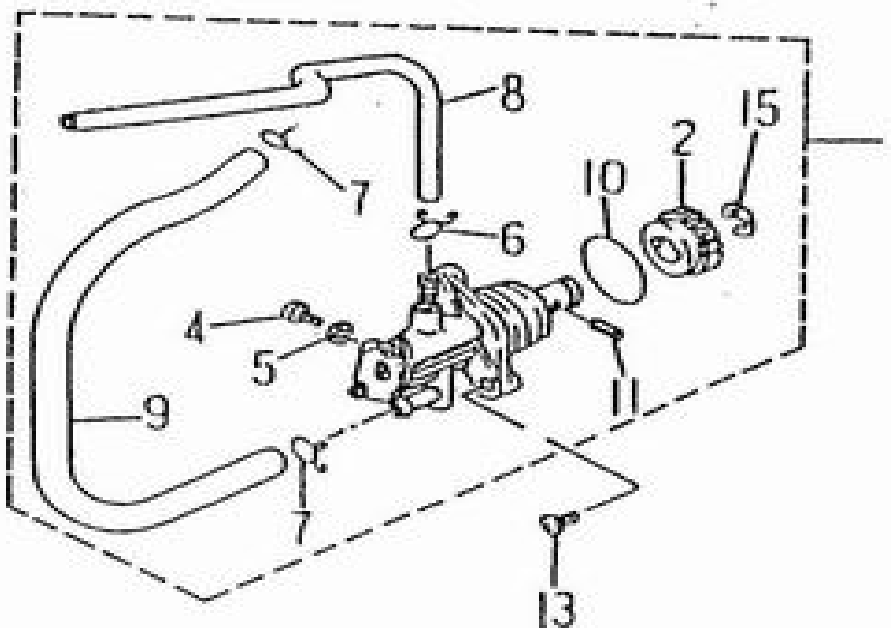
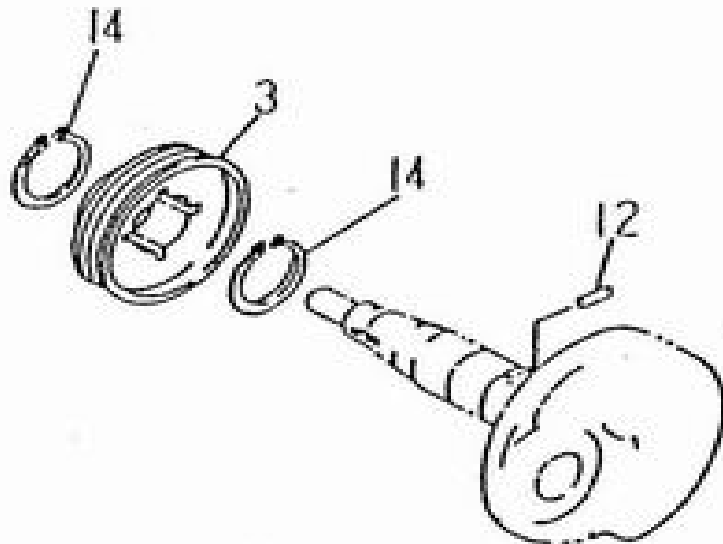
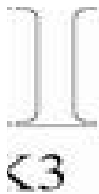
NO	PARTS NO.	PARTS NAME	Q'TY
1	11400-SK5-00	CRANKSHAFT ASSEMBLY	1
2	11412-SK5-00	CRANK L	1
3	11422-SK5-00	CRANK R	1
4	11451-NAF-00	ROD, connecting	1
5	11481-NAF-00	PIN, crank	1
6	11631-SK2-00	PISTON (STD)	1
7	11636-SK2-00	PISTON RING SET (STD)	1
8	93110-20306	OIL SEAL	1
9	93110-20428	OIL SEAL	1
10	93310-1014125	BEARING, needle roller	1
11	93310-1622118	BEARING, needle roller	1
12	93320-204714J	BEARING, radial ball	2
13	93510-051033	PIN, piston	1
14	93510-152012	COLLAR	1
15	94420-03013	KEY, semicircle	1
16	97505-10012	CIRCLIP	2

# AIR SHROUD FAN



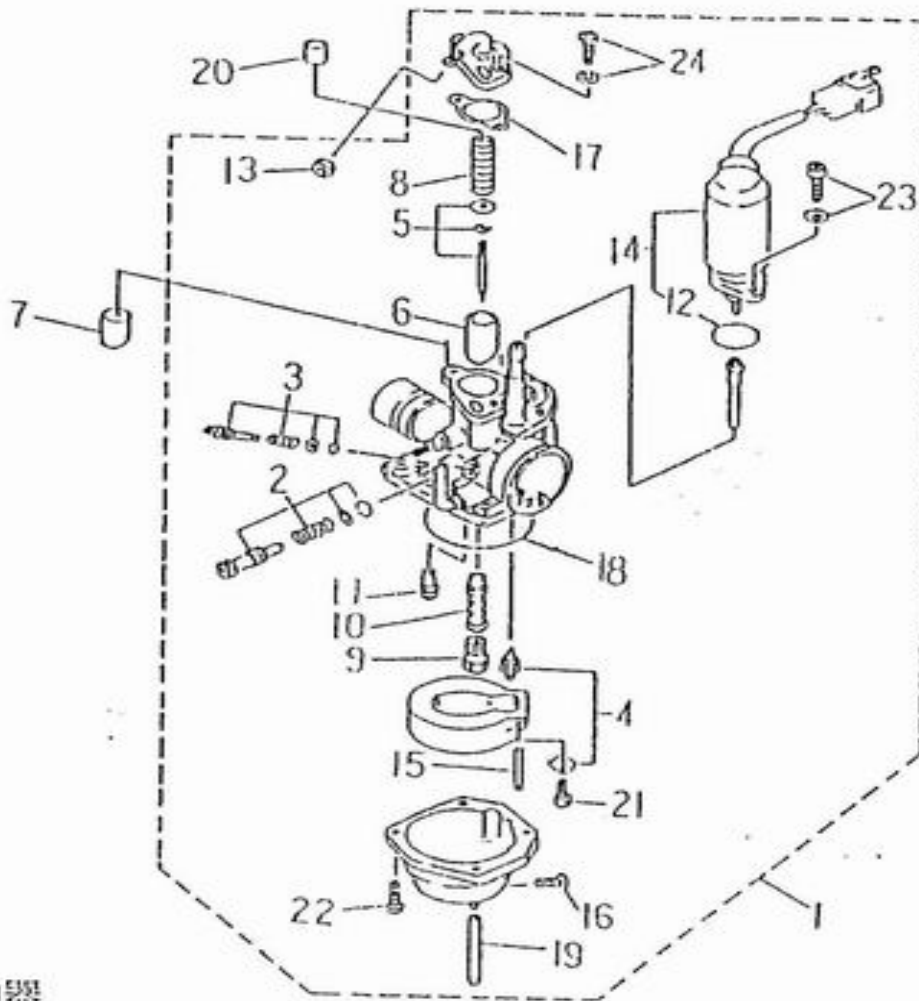
NO	PARTS NO.	PARTS NAME	Q'TY
1	12611-NAF-00	FAN	1
2	12631-NAF-00	DEFLECTOR	1
3	12651-NAF-00	AIR SHROUD, cylinder	1
4	12653-NAF-00	AIR SHROUD, fan	1
5	12658-NAF-00	DAMPER, air shroud	3
6	93560-68510	COLLAR	2
7	93581-41610	GROMMET	2
8	93580-81610	GROMMET	2
9	96110-64016-C	SCREW tapping	1
10	96312-06020-K	SCREW, pan head with washer	2
11	96314-06016-C	SCREW, pan head with washer	4

# OIL PUMP



NO	PARTS NO.	PARTS NAME	Q'TY
1	13100-SK2-00	OIL PUMP ASSEMBLY	1
2	13124-NAF-00	GEAR WORM WHEEL (40T)	1
3	13178-NAF-00	GEAR, pump drive	1
4	13185-NAF-00	BOLT, breather	1
5	13187-NAF-00	GASKET, breather bolt	1
6	90210-06005	CLIP	1
7	90210-08009	CLIP	2
8	90310-20050	HOSE	1
9	90310-50570	HOSE	1
10	93210-16195	O-RING	1
11	94430-30012	PIN, dowel	1
12	94510-30012	PIN, dowel	1
13	96310-05014-C	SCREW, pan head	2
14	97010-19012	CIRCLIP	2
15	97011-07008	CIRCLIP	1

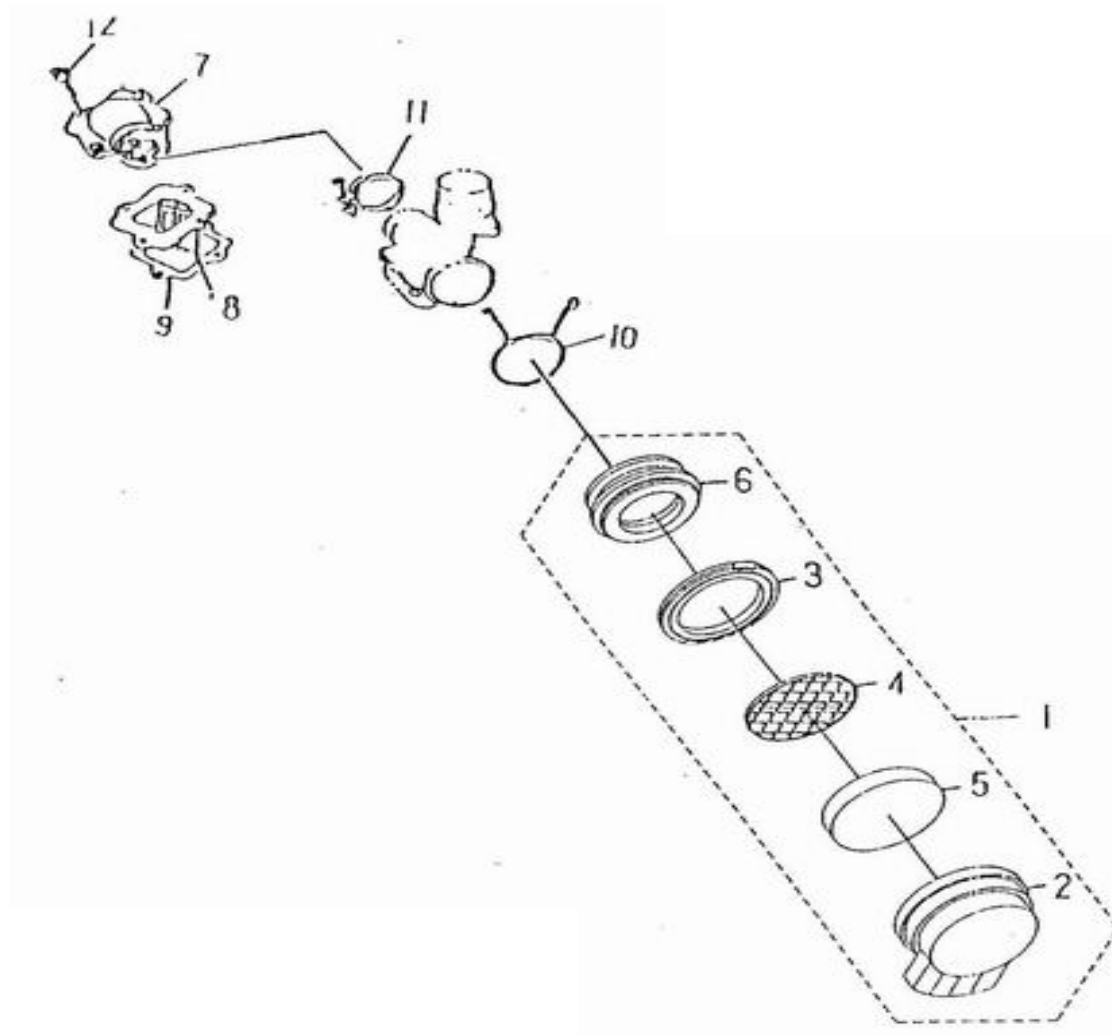
# CARBURETOR



ATOR 化油器

NO	PARTS NO.	PARTS NAME	Q'TY
1	13201-NAF-01	CARBURETOR ASSEMBLY	1
2	13203-NAF-00	THROTTLE SCREW SET	1
3	13204-NAF-00	AIR SCREW SET	1
4	13207-NAF-00	NEEDLE VALVE SET	1
5	13211-NAF-00	NEEDLE SET	1
6	13212-NAF-00	VALVE, throttle	1
7	13223-NAF-00	PLUG, VALUUM	1
8	13233-NAF-00	SPRING, throttle stop	1
9	13240-NAF-01	JET, MAIN (#55)	1
10	13241-NAF-00	NOZZLE, main	1
11	13242-NCF-01	JET, pilot(#25)	1
12	13247-NAF-00	O-RING	1
13	13261-NAF-00	NUT,cable adjusting	1
14	13271-NAF-00	PLUNGER, starter	1
15	13286-NAF-00	PIN, float	1
16	13291-NAF-00	PLUNG, drain	1
17	13296-NAF-00	GASKET	1
18	13297-NAF-00	GASKET, float chamber	1
19	13298-NAF-00	PIPE	1
20	93510-111411	COLLAR (11mm)	1
21	96310-03006-C	SCREW, PAN HEAD	1
22	96312-04014-C	SCREW, pan head	4
23	96312-04008-C	SCREW, pan head with washer	2
24	96312-04012-C	SCREW, pan head with washer	2

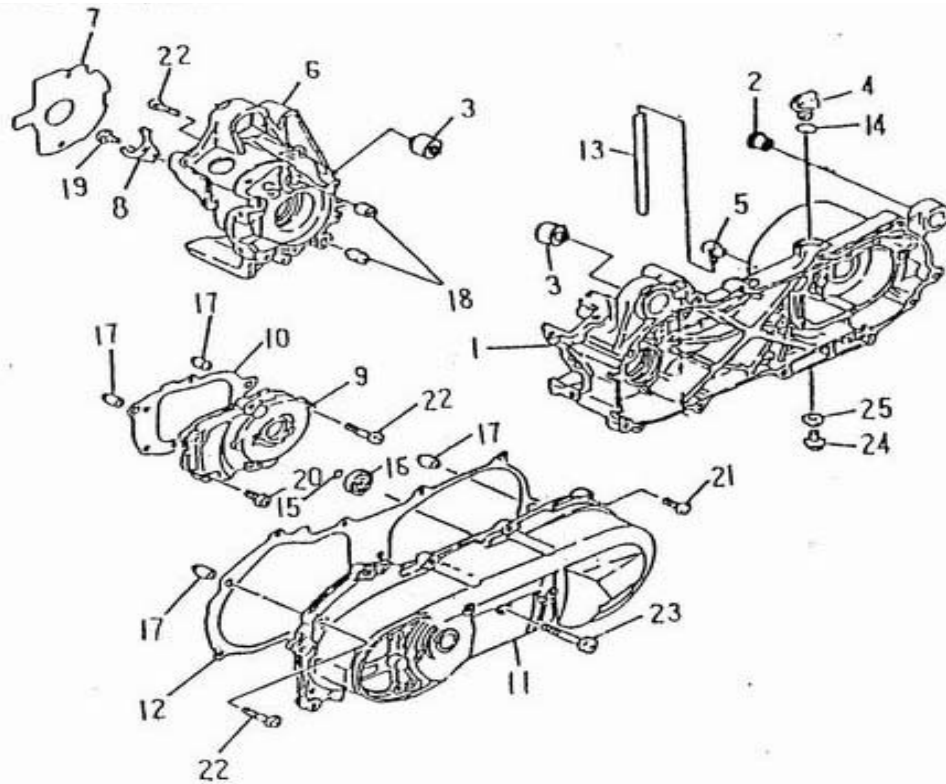
# INTAKE



NO	PARTS NO.	PARTS NAME	Q'TY
1	13410-SK3-00	AIR CLEANER ASSEMBLY	1
2	13411-SK3-00	CASE, AIR CLEANER	1
3	13412-SK3-00	CAP, CLEANER CASE	1
4	13433-SK3-00	PLATE, ELEMENT SET	1
5	13451-SK3-00	ELEMENT, AIR CLEANER	1
6	13453-SK3-00	JOINT, AIR CLEANER	1
7	13555-NAF-00	MAINIFOLD, INTAKE	1
8	13610-NAF-00	REED VALVE ASSEMBLY	1
9	13621-NAF-00	GASKET, VALVE SEAT	1
10	90210-23043	CLIP	1
11	90260-13325	CLANP, HOSE	1
12	96510-06020-K	BOLT, SOCKET	4

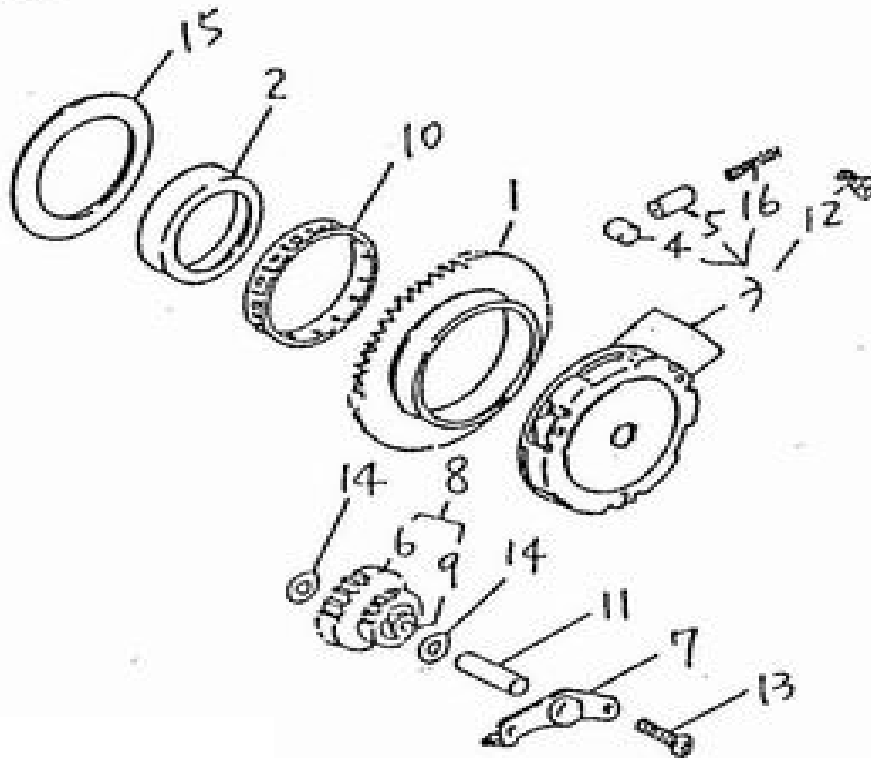


# CRANKCASE



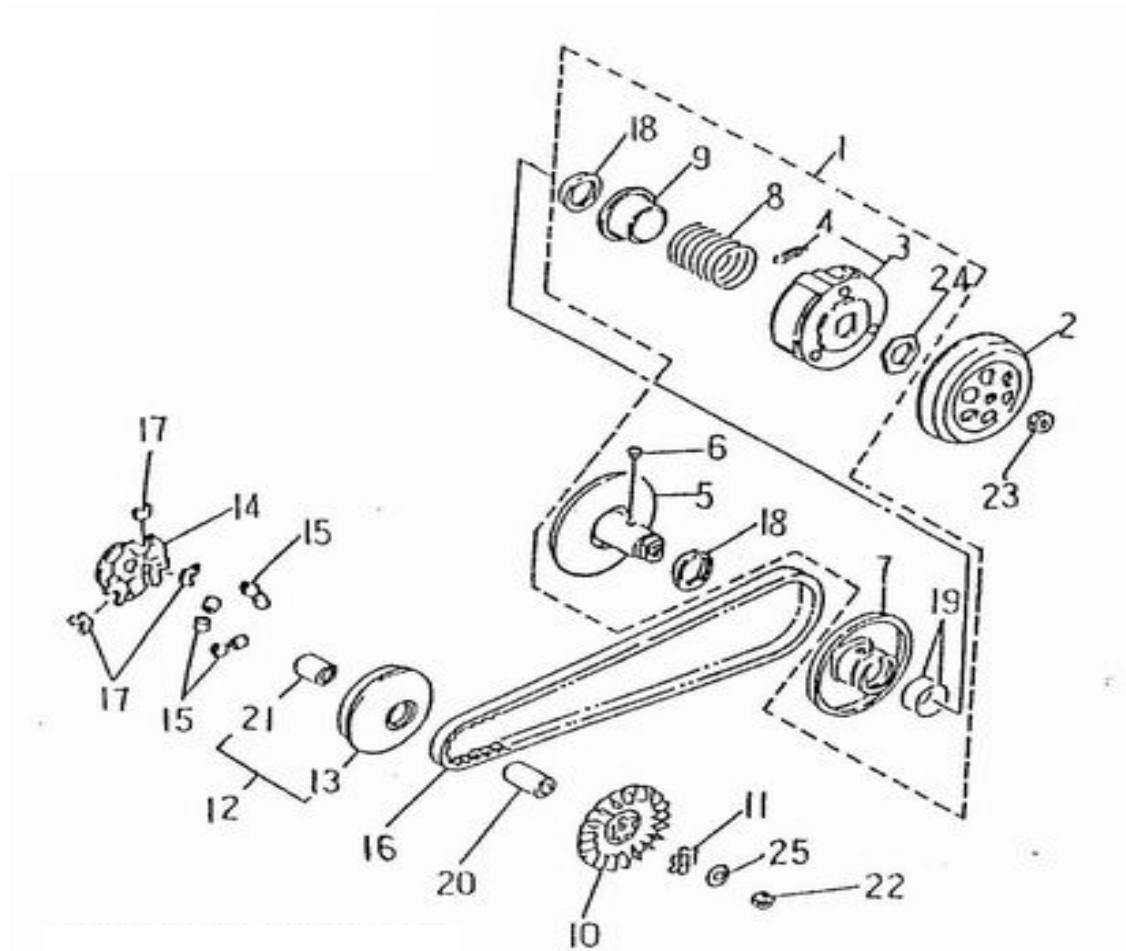
NO	PARTS NO.	PARTS NAME	Q'TY
1	15111-SK5-00	CRANKCASE, LEFT	1
2	15116-SK2-00	NUT, FLANGE	1
3	15118-SK2-00	BUSH, ENGINE HANGER RUBBER	2
4	15163-NAF-00	PLUG, OIL	1
5	15171-NAF-00	BREATHER	1
6	15211-SK5-00	CRANKCASE, RIGHT	1
7	15221-NAF-01	GASKET, STATOR	1
8	15228-NAF-00	HOLDER	1
9	15311-YAN-00	COVER, GEARBOX	1
10	15351-YAN-01	GASKET, GEARBOX COVER	1
11	15411-SK9-00	COVER, CRANKCASE	1
12	15481-YAN-01	GASKET, CRANKCASE COVER	1
13	90311-50070	HOSE, BREATHER	1
14	93210-24140	O-RING	1
15	93210-31080	O-RING	1
16	93320-082809Z	BEARING, RADIAL BALL	1
17	94410-10014	PIN, DOWEL	4
18	94410-12016	PIN, DOWEL	2
19	96310-06012-C	SCREW, PAN HEAD	1
20	96310-06020-B	SCREW, PAN HEAD	3
21	96310-06025-B	SCREW, PAN HEAD	8
22	96310-06035-B	SCREW, PAN HEAD	10
23	96310-06065-B	SCREW, PAN HEAD	1
24	96414-08016-C	BOLT, FLANGE	1
25	97230-081512	WASHER, COPPER	1

# STATER



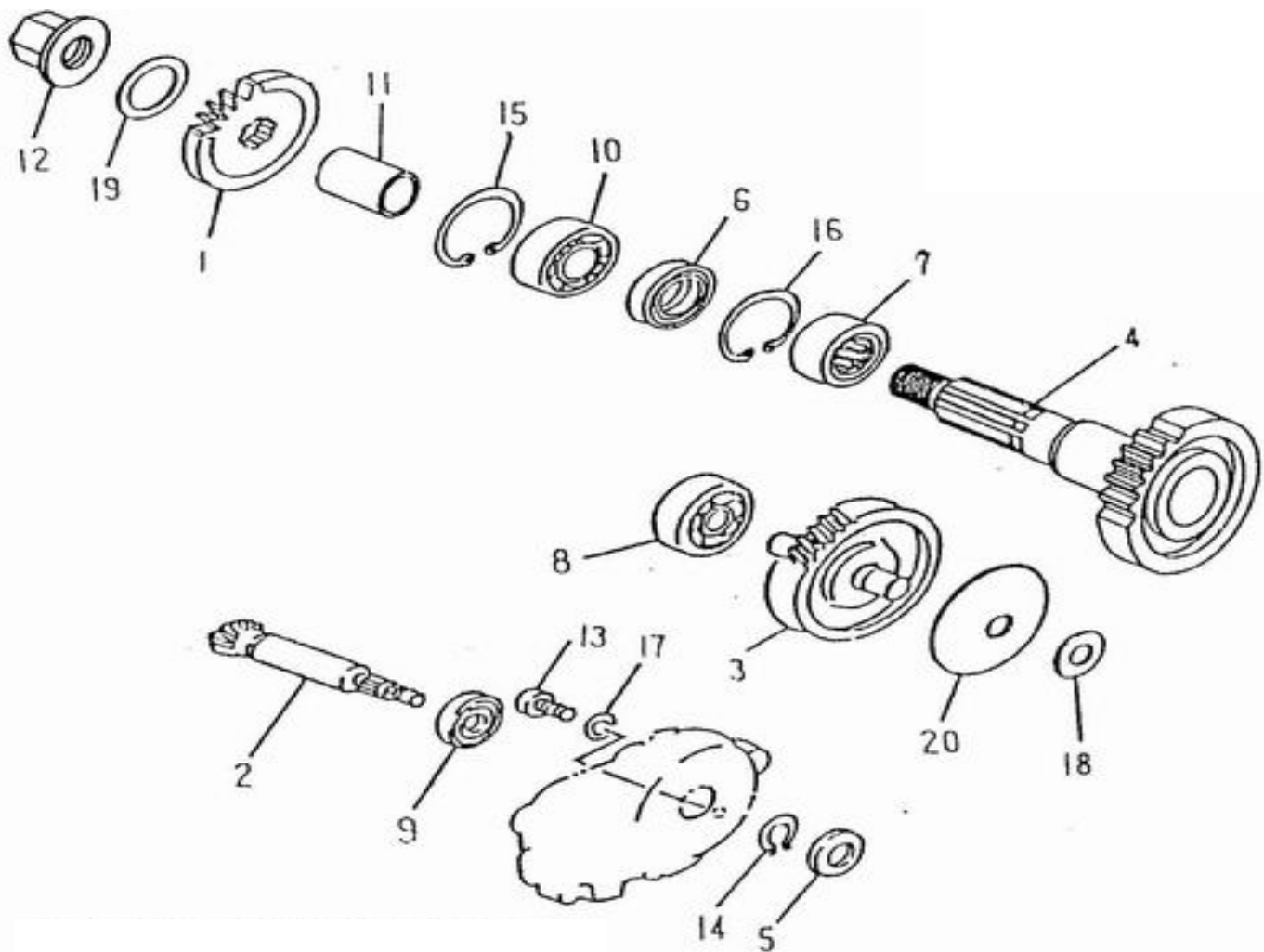
NO	PARTS NO.	PARTS NAME	Q'TY
1	23524-NAF-00	WHEEL, starter	1
2	23538-NAF-00	BOSS, gear	1
3	23570-NAF-00	STARTER CLUTCH ASSEMBLY	1
4	23576-NAF-00	STARTER CLUTCH ,roller	3
5	23578-NAF-00	STARTER CLUTCH, scover	3
6	23612-NAF-00	IDLE GEAR	1
7	23632-NAF-00	PLATE, idle gear	1
8	23650-NAF-00	IDLE GEAR ASSEMBLY	1
9	93310-0812100	BEARING, needle rooler	1
10	93310-5559127	BEARING, needle rooler	1
11	94510-80032	SHAFT, gear	1
12	96104-51016-C	SCREW, tapping	3
13	96310-06012-C	SCREW, pan head	2
14	97201-081620-C	WASHER, plate	2
15	97201-557606	WASHER, plate	1
16	97501-02021	STARTER CLUTCH, spring	3

# CLUTCH



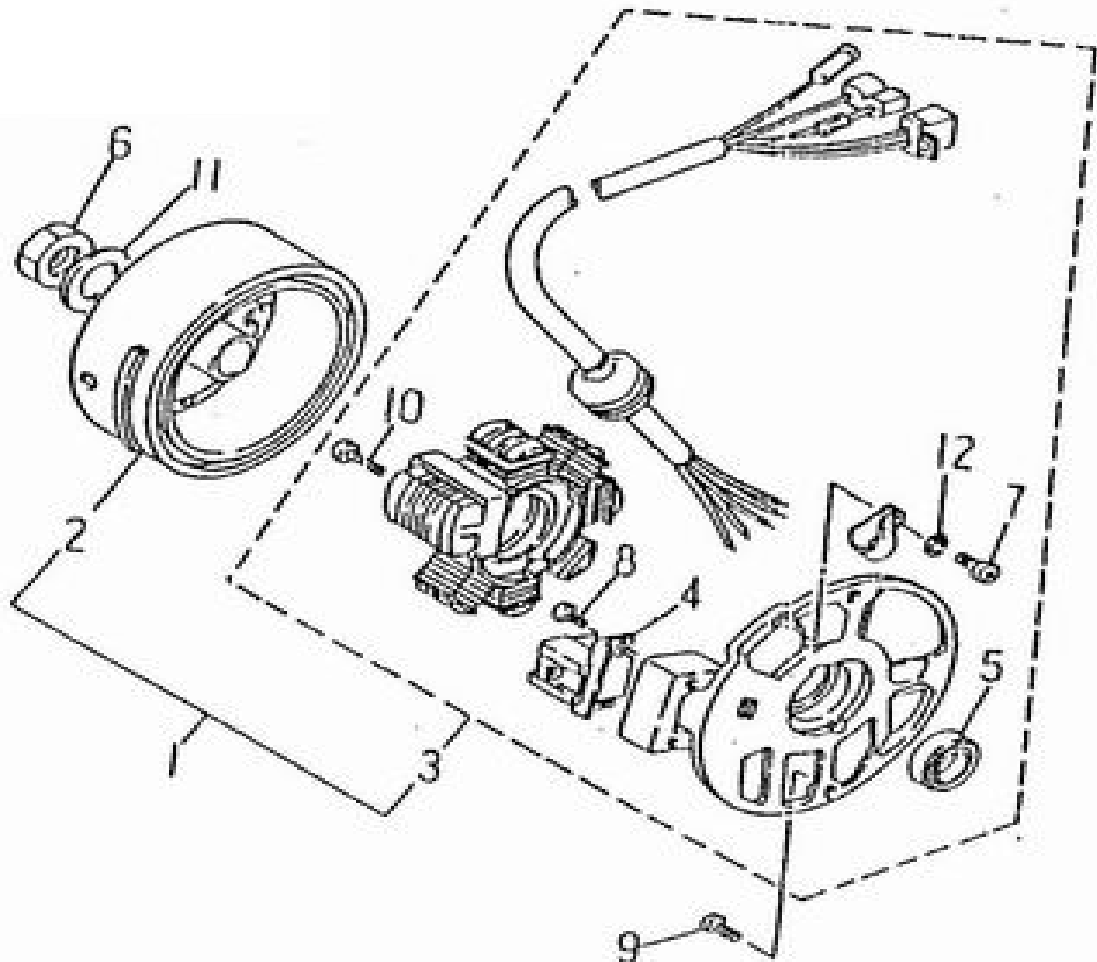
NO	PARTS NO.	PARTS NAME	Q'TY
1	25602-NAF-00	SECONDARY SHEAVE ASSEMBLY	1
2	25611-NAF-00	CLUTCH HOUSING COMP	1
3	25620-NAF-00	CLUTCH CARRIER ASSEMBLY	1
4	25626-NAF-00	SPRING,CLUTCH WEIGHT	3
5	25660-NAF-00	SECONDARY FIXED SHEAVE COMP	1
6	25664-NAF-00	PIN,GUIDE	2
7	25670-NAF-00	SECONDARY SLIDING SHEAVE	1
8	25680-NAF-00	SPRING,COMPRESSION	1
9	25684-NAF-00	SEAT,SECONDARY SPRING	1
10	25711-NAF-00	SHEAVE,PRIMARY FIXED	1
11	25716-NAF-00	WASHER,CLAW	1
12	25720-NAF-00	PRIMARY SLIDING SHEAVE	1
13	25721-NAF-00	PRIMARY SLIDING SHEAVE	1
14	25723-NAF-00	CAM,PLATE	1
15	25732-NAF-00	WEIGHT ROLLER	6
16	25741-YAF-03	V-BELT	1
17	25753-NAF-00	SLIDER	3
18	93110-33394	OIL SEAL	2
19	93210-20360	O-RING	2
20	93510-131834	BUSHING,SLIDING CLUTCH	1
21	93510-182322	BUSHING,SLIDING SHEAVE	1
22	95201-101708-C	NUT,HEXAGON	1
23	95201-102406-C	NUT,HEXAGON	1
24	95201-284104-C	NUT,HEXAGON	1
25	97201-132550-C	WASHER,PLATE	1

# TRANSMISSION



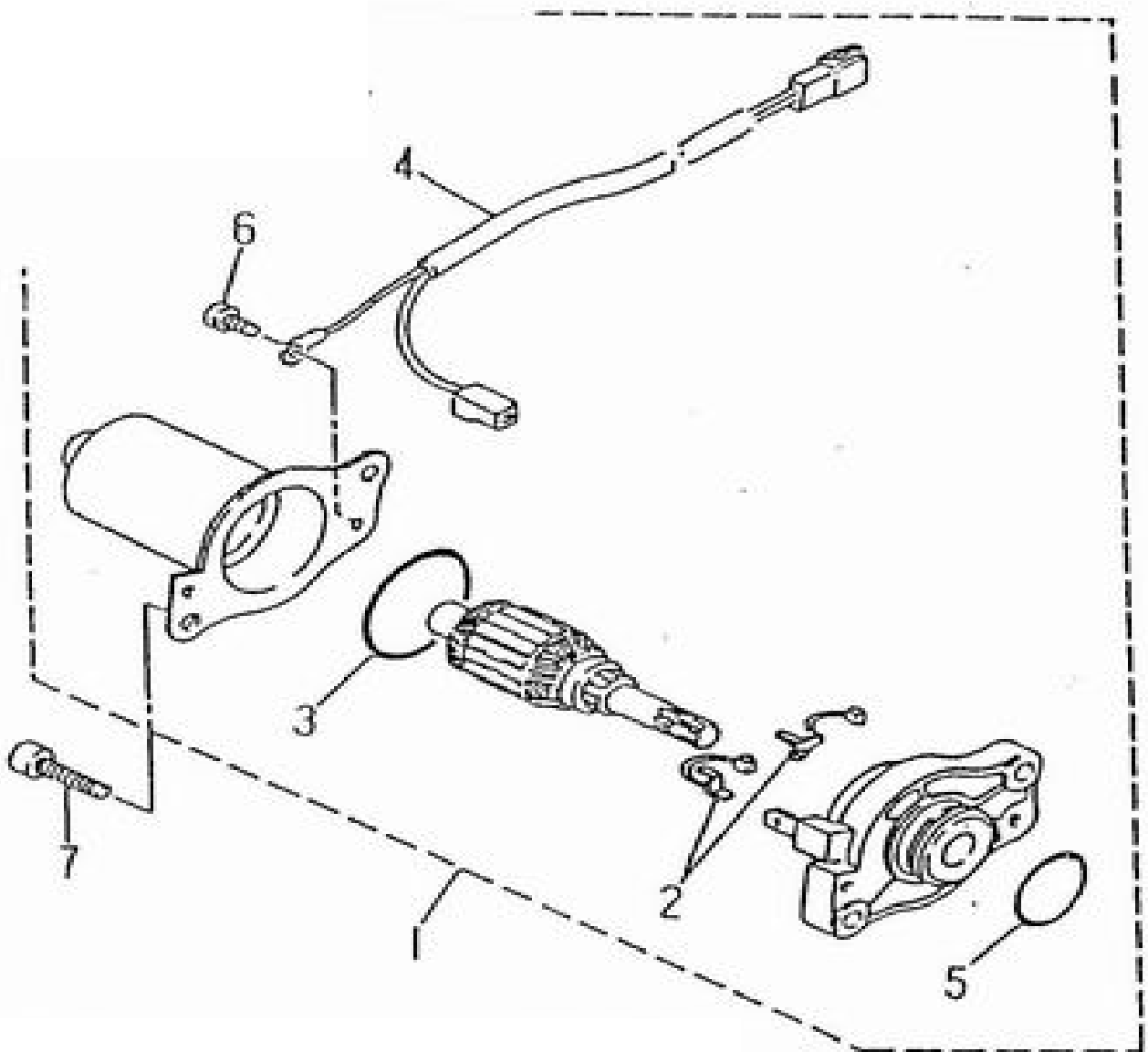
NO	PARTS NO.	PARTS NAME	Q'TY
1	25711-SK2-00	SPROCKET DRIVE 415-11T	1
2	26111-YAF-00	GEAR,PRIMARY DRIVE (13T)	1
3	26410-YAF-00	MAIN AXLE COMP (48/12T)	1
4	26420-SK2-01	DRIVE AXLE ASSEMBLY (36T)	1
5	93110-17285	OIL SEAL	1
6	93110-25356	OIL SEAL	1
7	93310-2533160	BEARING,NEEDLE ROLLER	1
8	93320-123210	BEARING,RADIAL BALL	1
9	93320-173510	BEARING,RADIAL BALL	1
10	93320-204212U	BEARING,RADIAL BALL	1
11	93510-202531-B	COLLAR	1
12	95311-142214-C	NUT,NYLON	1
13	96310-06010-B	SCREW,PAN HEAD	1
14	97010-17010-K	CIRCLIP	1
15	97012-42018-K	CIRCLIP	1
16	97013-33012-K	CIRCLIP	1
17	97201-061910-B	WASHER,PLATE	1
18	97201-122210	WASHER,PLATE	1
19	97201-152930-B	WASHER,PLATE	1
20	97310-126005	WASHER,CONICAL SPRING	1

# GENERATOR



NO	PARTS NO.	PARTS NAME	Q'TY
1	35500-NAF-00	GENERATOR ASSEMBLY	1
2	35550-NAF-00	ROTOR ASSEMBLY	1
3	35560-NAF-00	BASE ASSEMBLY	1
4	35580-NAF-00	COIL,PULSER	1
5	93110-19265	OIL SEAL	1
6	95201-101408-C	NUT,HEXAGON	1
7	96312-04006-C	SCREW,PAN HEAD,WITH WASHER	1
8	96312-06010-C	SCREW,PAN HEAD.WITH WASHER	2
9	96310-06016-C	SCREW,PAN HEAD	2
10	96312-06025-C	SCREW,PAN HEAD,WITH WASHER	2
11	97201-101726-C	WASHER,PLATE	1

# STARTING MOTOR



NO	PARTS NO.	PARTS NAME	Q'TY
1	35800-NAF-00	STARTING MOTOR ASSEMBLY	1
2	35801-NAF-00	BRUSH SET	1
3	35811-NAF-00	GASKET,YOKE	1
4	35831-NAF-00	CORD COMP	1
5	93210-19230	O-RING	1
6	96312-04012-C	SCREW,PAN HEAD WITH WASHER	2
7	96510-06020-K	BOLT,SOCKET	2

# EXHAUST MUFFLER

BMI  
MODEL : AK3

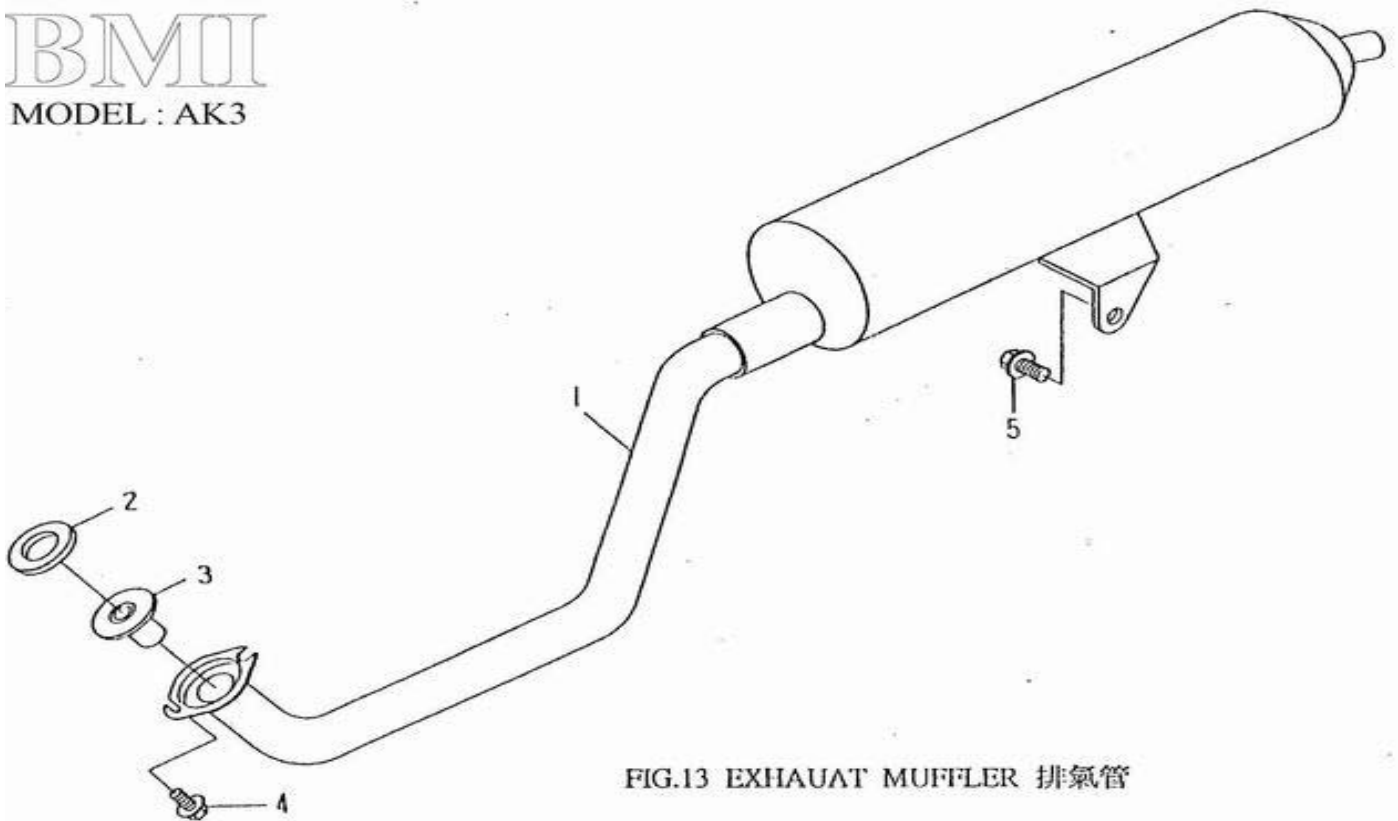
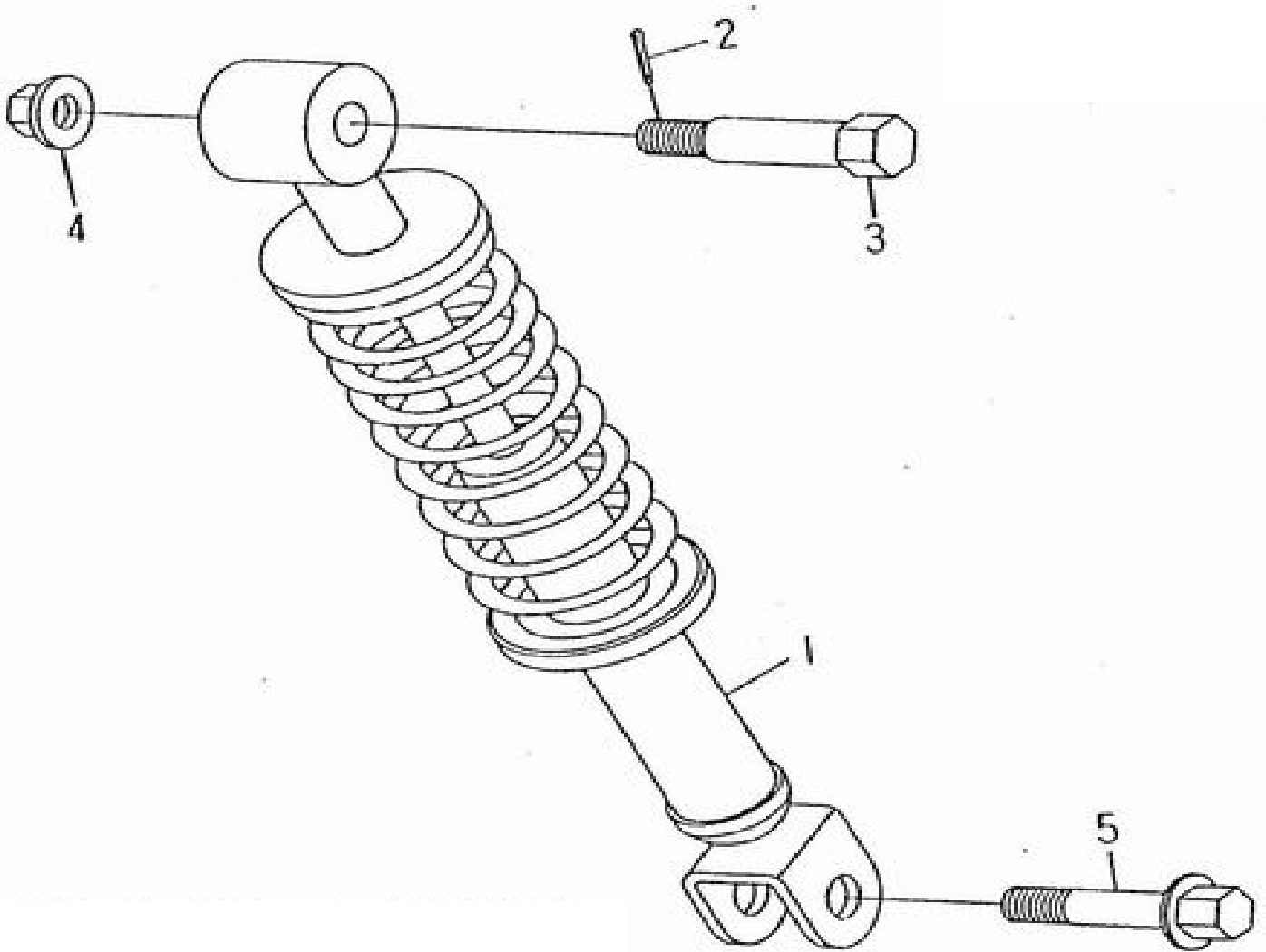


FIG.13 EXHAUAT MUFFLER 排氣管

NO	PARTS NO.	PARTS NAME	Q'TY
1	31610-SK2-00	EXHAUST MUFFLER ASS'Y	1
2	31613-NAF-00	GASKET,EXHAUST PIPE (25.4*34*4)	1
3	31615-NAF-02	PIPE,REDUCTION (?9)	1
4	94714-06018-C	BOLT,FLANGE	2
5	96414-08016-B	BOLT,FLANGE	1

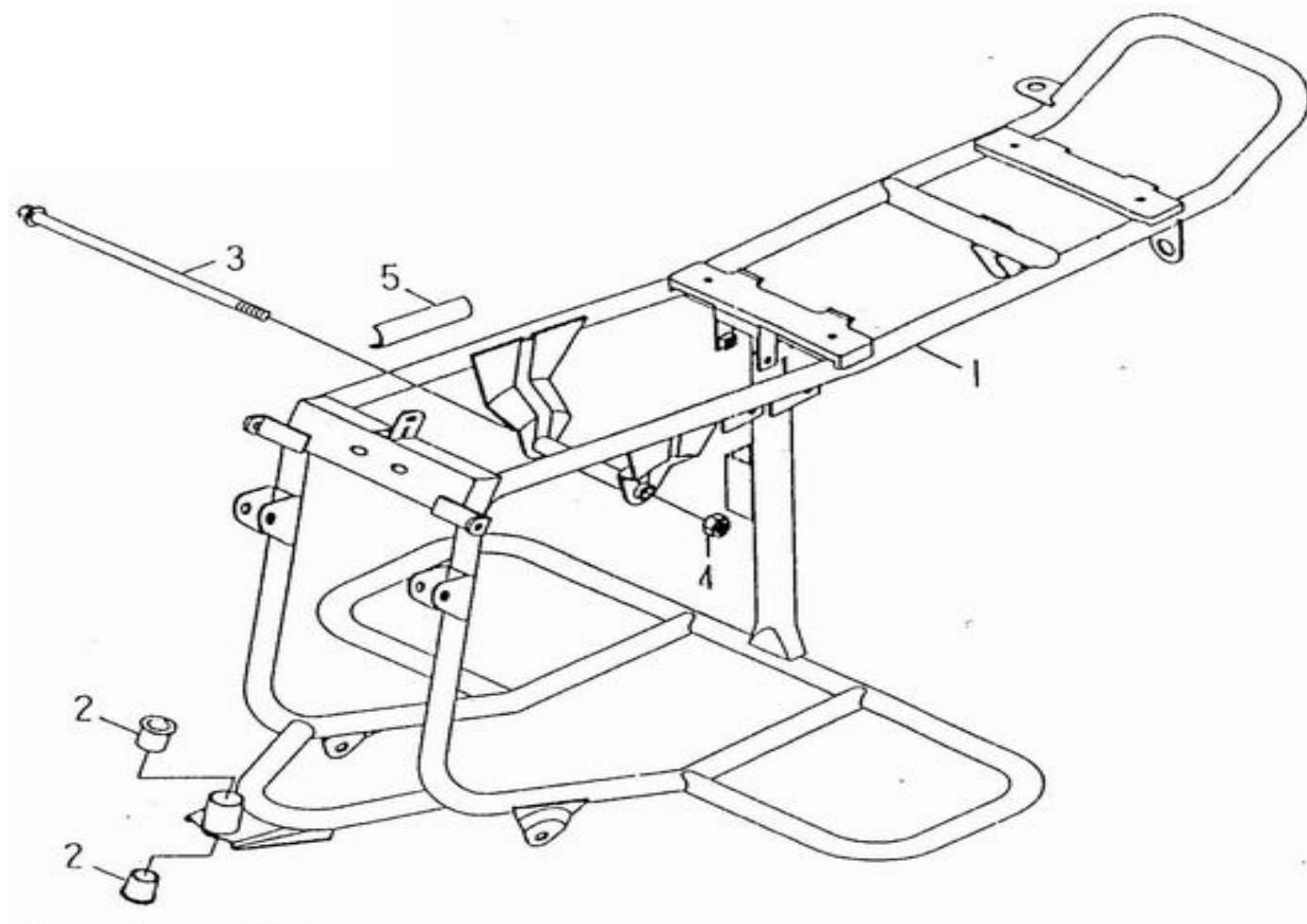
# REAR SUSPENSION



NO	PARTS NO.	PARTS NAME	Q'TY
1	32210-SK2-00	SHOCK ABSORBER ASS'Y,REAR	1
2	90240-18016-B	PIN.COTTER 1.8*16	1
3	94716-08039-B	BOLT	1
4	95401-081208-B	NUT,FLANGE	1
5	96414-08035-B	BOLT,FLANGE	1

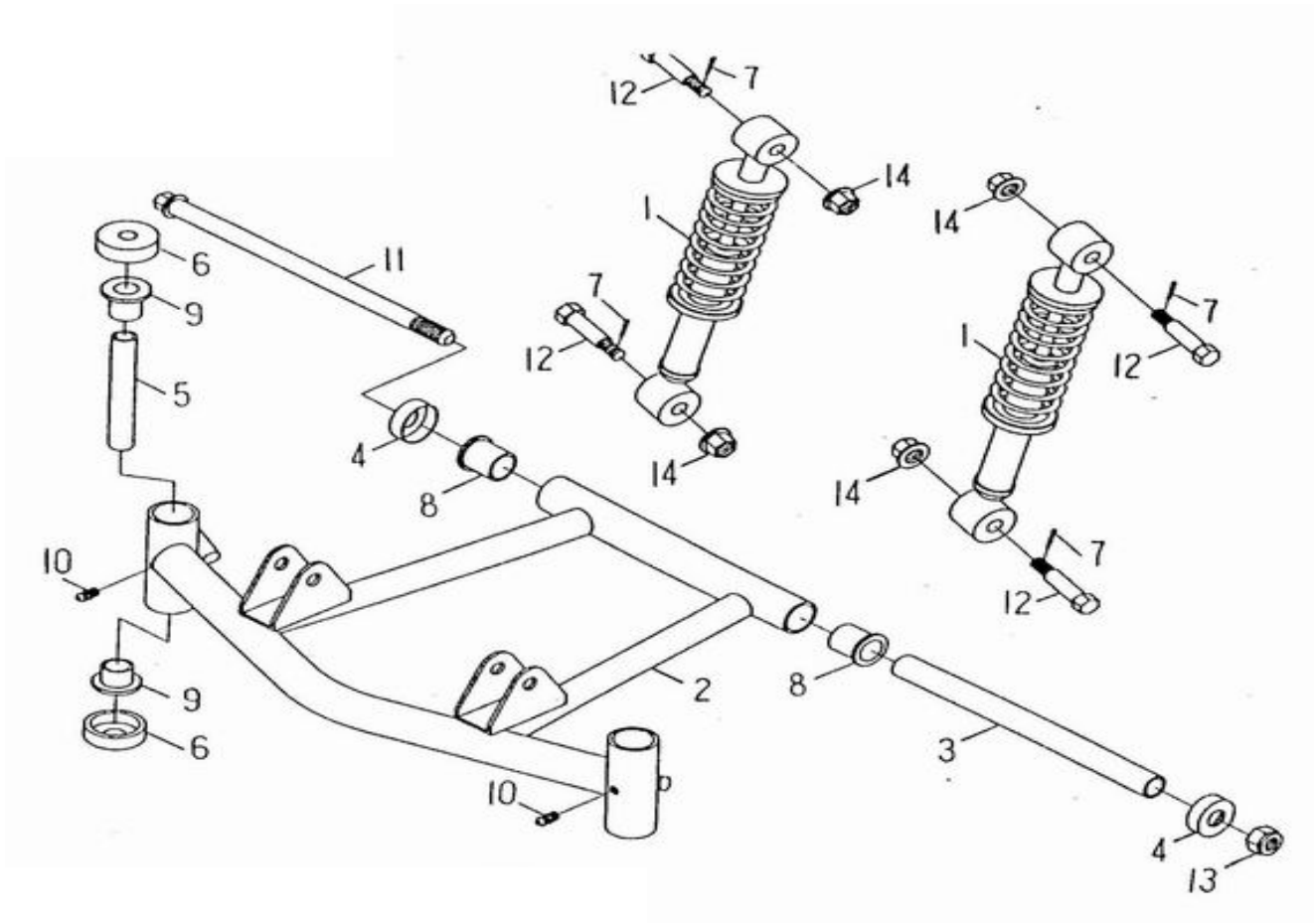


# FRAME



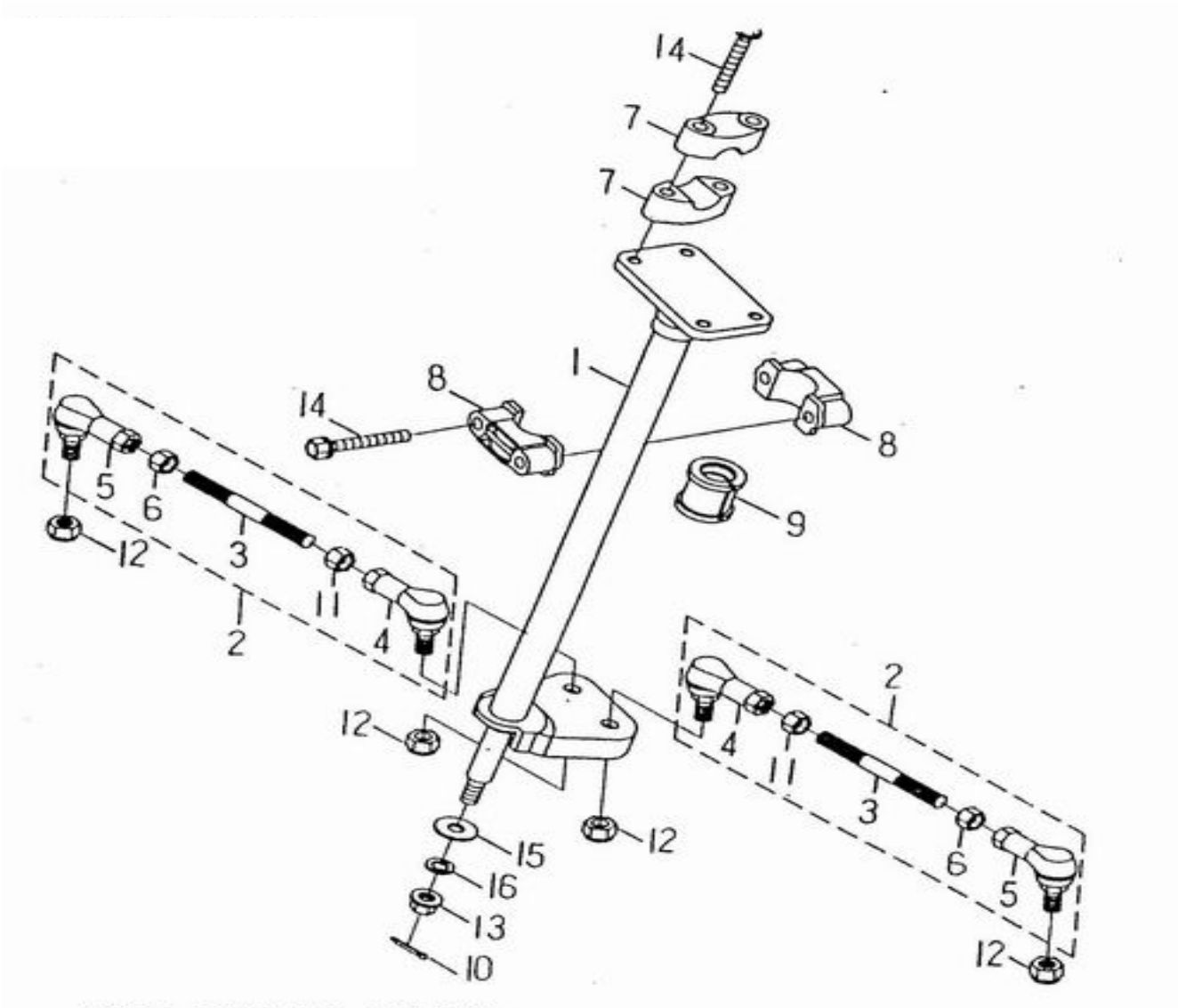
NO	PARTS NO.	PARTS NAME	Q'TY
1	41110-SK2-01	FRAME COMP	1
2	93330-152118	BUSH,SOLID	2
3	94610-10190-B	BOLT,FLANGE	1
4	95311-101710-B	NUT,NYLON	1
5	62111-CHP-00	PADDED	2

# FRONT SUSPENSION



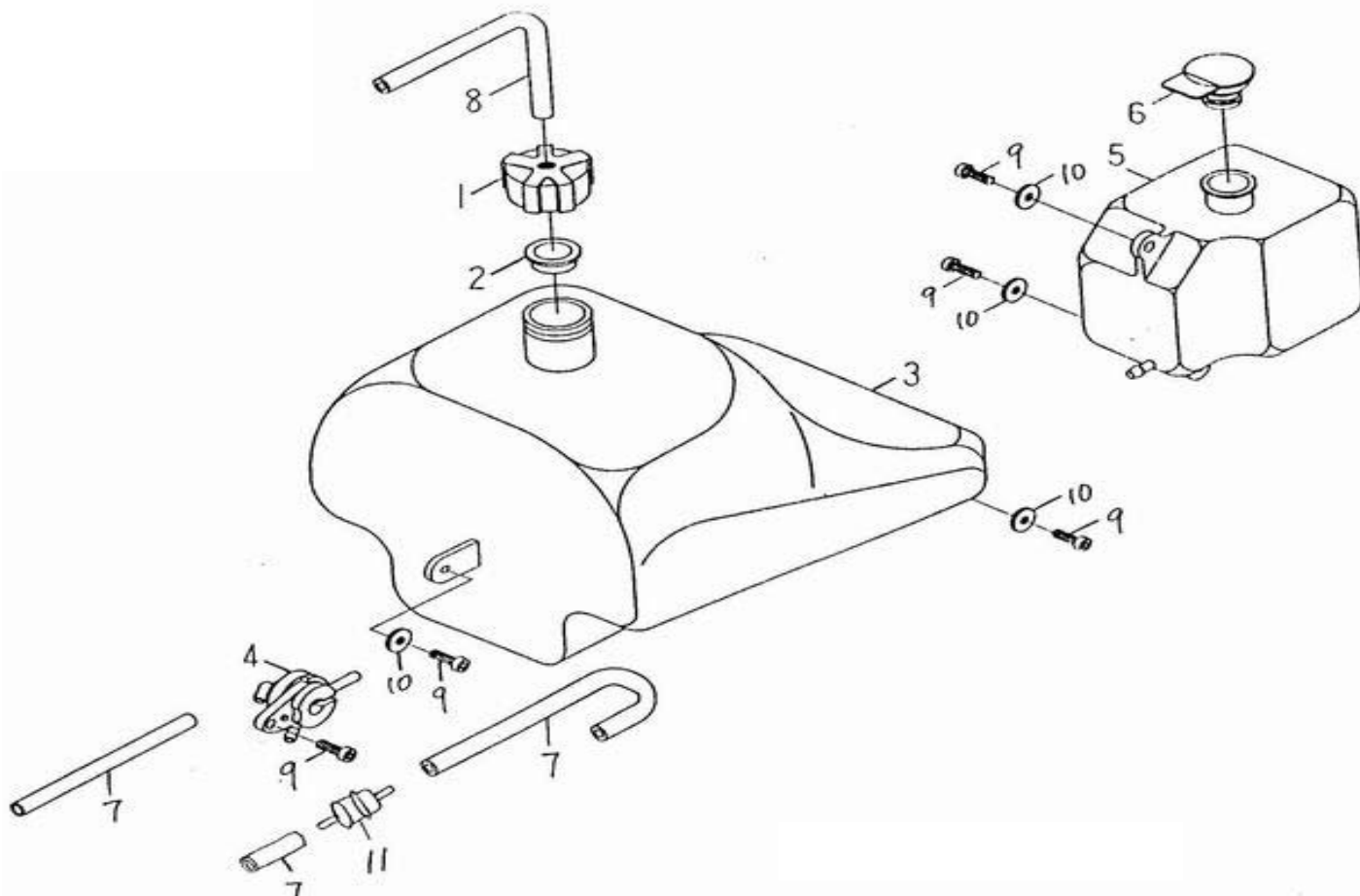
NO	PARTS NO.	PARTS NAME	Q'TY
1	42126-SK2-00	SHOCK ABSORBER ASS'Y	2
2	42161-SK2-01	FRT,ARM	1
3	42173-RAM-00	COLLAR	1
4	42183-RAM-00	COVER,THRUST	2
5	45825-SK9-00	COLLAR	2
6	45827-SK9-00	COVER,THRUST	4
7	90240-18016-B	PIN COTTER 1.8*16	4
8	93330-152118	BUSH,SOLID	2
9	93330-172330	BUSH,SOLID	4
10	94340-06010-B	NIPPLE,GREASE	2
11	94610-10197-C	BLOT,FLANGE	1
12	94716-08039-B	BLOT	4
13	95311-101710-B	NUT,NYLON	1
14	95401-081208-B	NUT,FLANGE	4

# STEERING



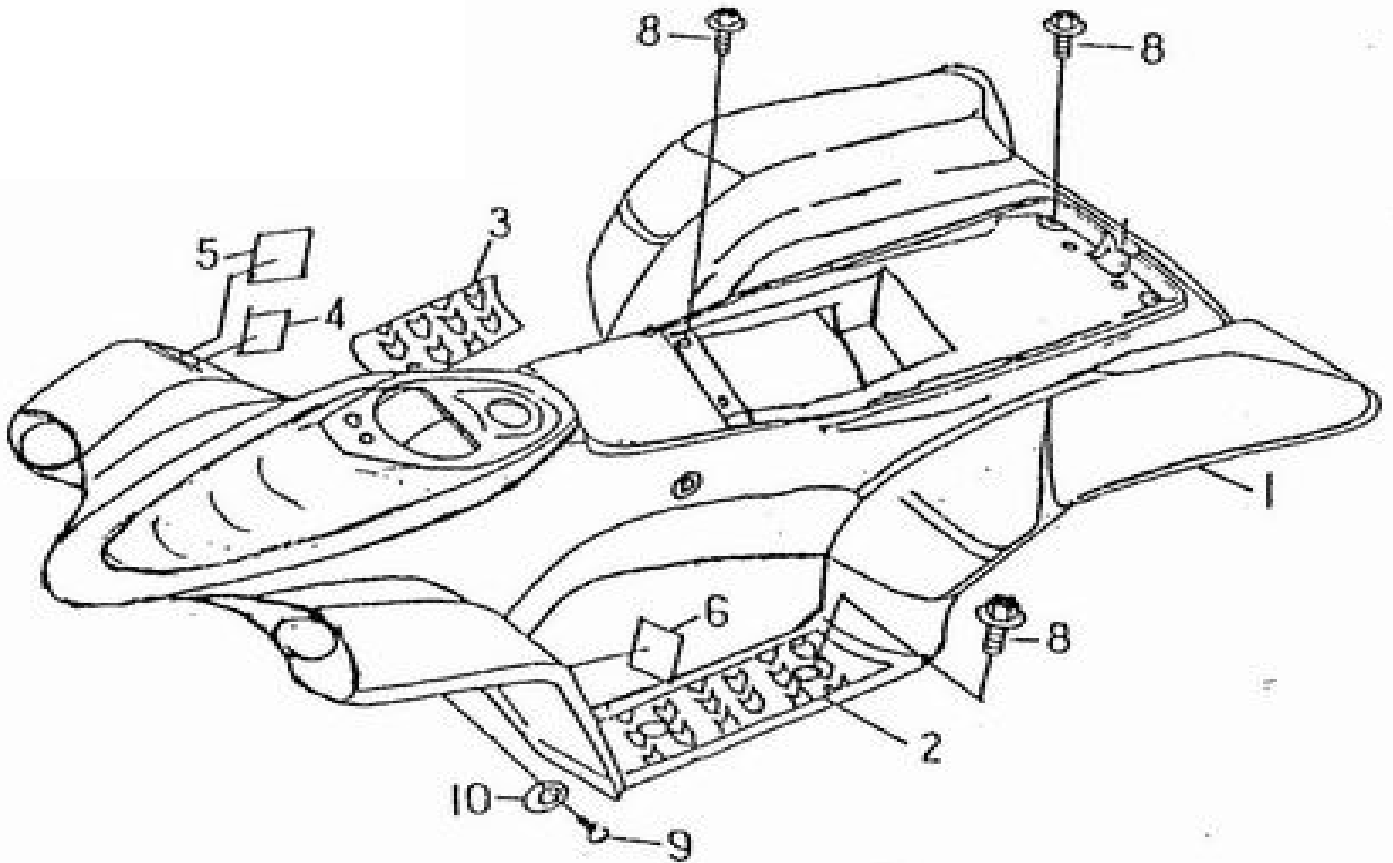
NO	PARTS NO.	PARTS NAME	Q'TY
1	42101-SK2-00	COLUMN,STEERING	1
2	42140-SK2-00	BRIDGE, TOP	2
3	42141-SK2-00	ROD,TIE	2
4	42142-SK2-00	JOINT,UNIVERSAL R	2
5	42143-SK2-00	JOINT,UNIVERSAL L	2
6	42146-SK2-00	NUT	2
7	46125-SK2-00	HOLDER,HANDLE UPR	4
8	46411-SK2-00	BEARING,STEERING	2
9	46417-SK2-00	PU BUSH	1
10	90240-23020-B	PIN,COTTER 2.3*20	1
11	95201-101408-B	NUT,HEXAGON	2
12	95311-101710-B	NUT,NYLON	4
13	95401-101409-B	NUT,FLANGE	1
14	96414-08050-B	BOLT,FLANGE	6
15	97201-102620-B	WASHER,PLATE	1
16	97301-101720-B	WASHER,SPRING	1

# FUEL TANK



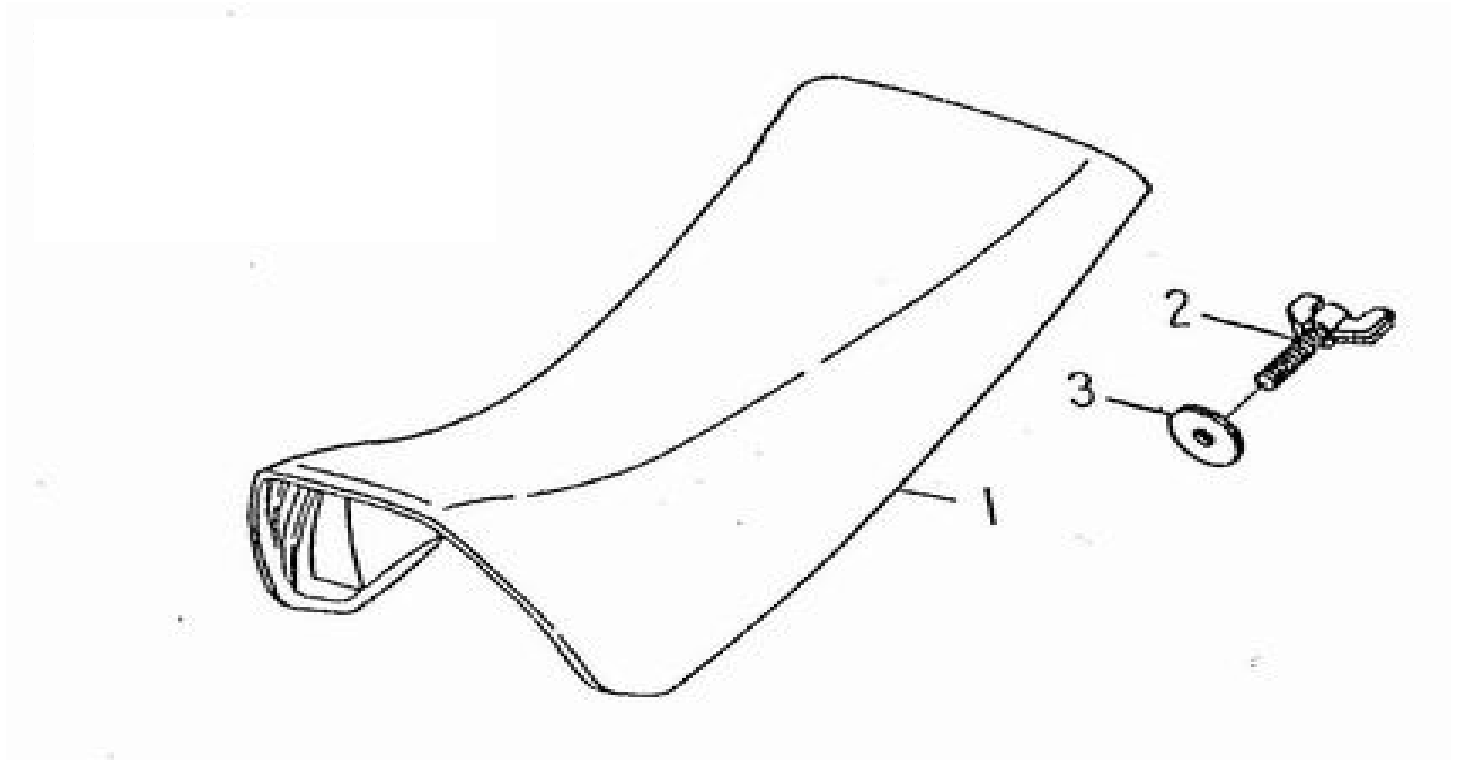
NO	PARTS NO.	PARTS NAME	Q'TY
1	43102-SK2-00	CAP ASS'Y	1
2	43103-SK2-00	CAP WASHER	1
3	43110-SK2-00	PETROL TANK	1
4	43500-SK3-00	FUEL COCK ASS'Y	1
5	43751-SK2-00	OIL TANK	1
6	43771-NAF-01	BODY,CAP	1
7	90310-50135	HOSE,FUEL 5*10*135	2
8	90310-50440	HOSE 5*8*440	1
9	96310-06016-C	SCREW,PAN HEAD	5
10	97201-061820-B	WASHER,PLATE	4
11	43570-NAF-00	FUEL FILTER	1

# FRONT FENDER



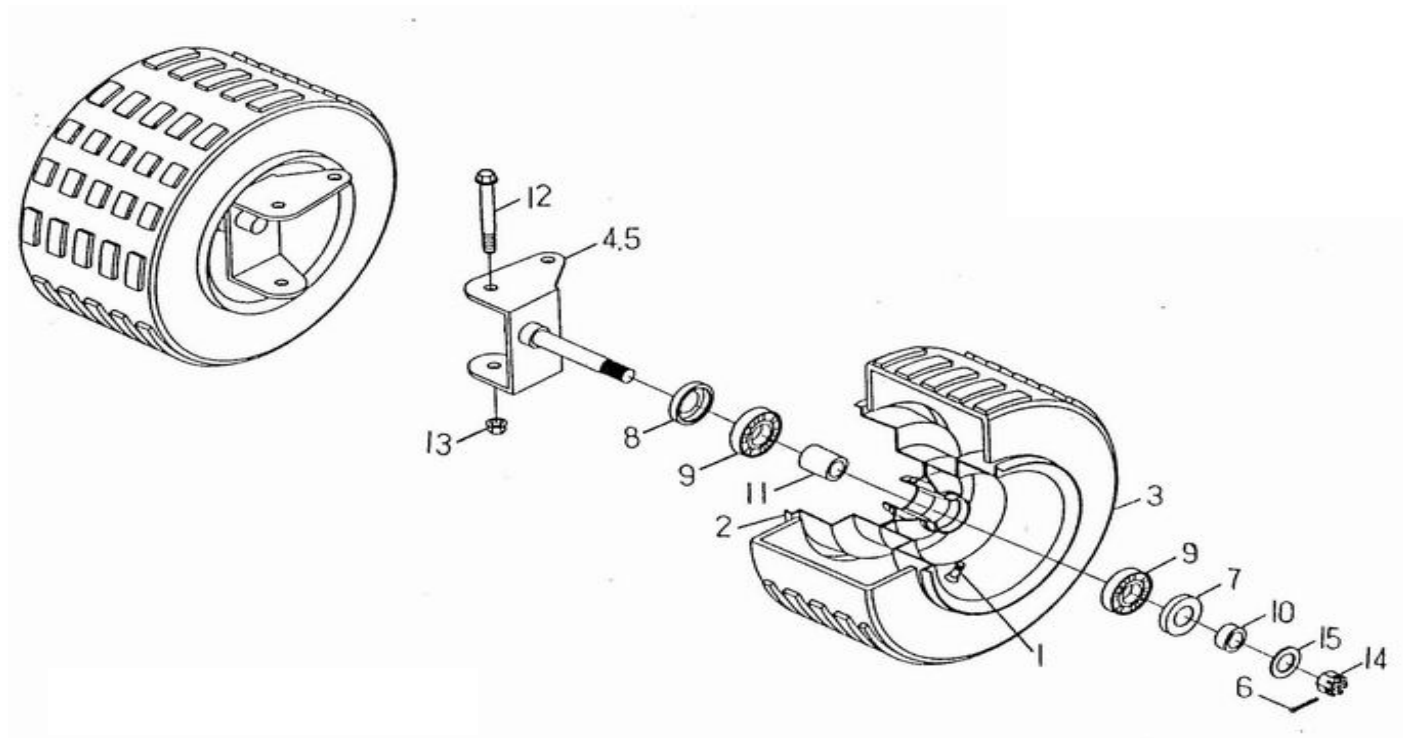
NO	PARTS NO.	PARTS NAME	Q'TY
1	51171-SK3-01	SIDE COVER	1
2	53483-SK2-00	MAT L	1
3	53484-SK2-00	MAT R	1
4	56576-AK2-00	LABEL WARNING 3 (TIRE)	1
5	56578-AK2-00	LABEL WARNING 2 (AGE)	1
6	56781-AK2-00	LABEL WARNING 1 (OPERATION)	1
8	96218-06016-B	BOLT,HEXAGON WITH WASHER	8
9	96318-06012-B	SCREW,PAN HEAD	2
10	97321-061825-B	WASHER,FLANGE	2

# SEAT



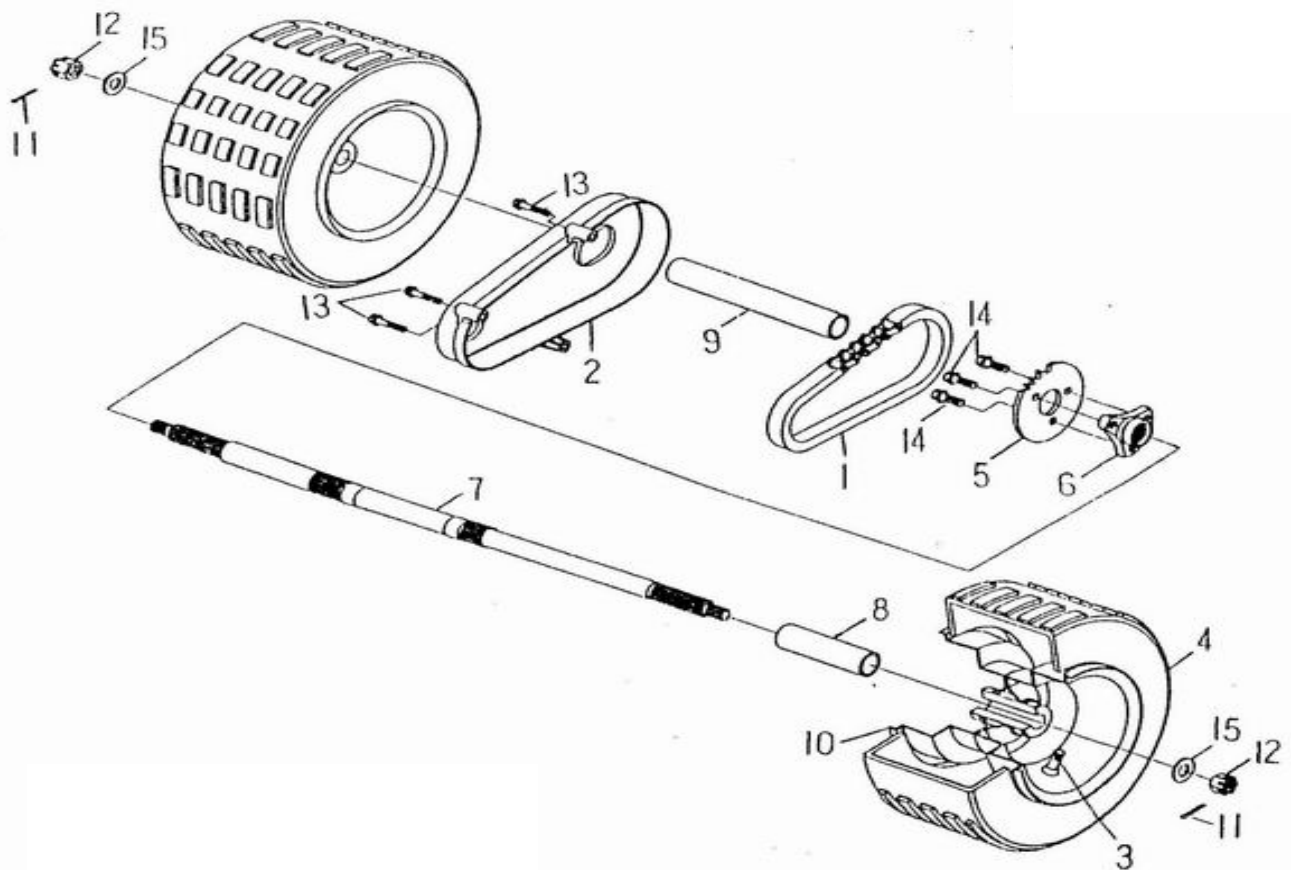
NO	PARTS NO.	PARTS NAME	Q'TY
1	52730-SK2-00	SINGLE SEAT ASS'Y	1
2	94716-06016-C	BOLT,BUTTERFLY	1
3	97201-062220-B	WASHER,PLATE	1

# FRONT WHEEL



NO	PARTS NO.	PARTS NAME	Q'TY
1	42570-RAM-00	VALVE,RIM	2
2	42580-SK2-00	WHEEL,FRONT	2
3	42590-SK2-00	TIRE,FRONT 145/70-6	2
4	45861-SK2-00	KNUCKLE,STEERING L	1
5	45866-SK2-00	KNUCKLE,STEERING R	1
6	90240-29025-B	PIN,COTTER 2.9*25	2
7	93110-20355	OIL SEAL 20*35*5	2
8	93110-22357	OIL SEAL 22*35*7	2
9	93320-153511S	BEARING,RIDIAL BALL 6202CS05/2A	4
10	93510-152008-B	COLLAR	2
11	93510-152233-B	SPACER,BEARING	2
12	94610-10100-B	BOLT,FLANGE	2
13	95311-101710-B	NUT,NYLON	2
14	95321-142215-C	NUT,CASTLE	2
15	97201-142620-C	WASHER,PLATE 14.7*25.7*2	2

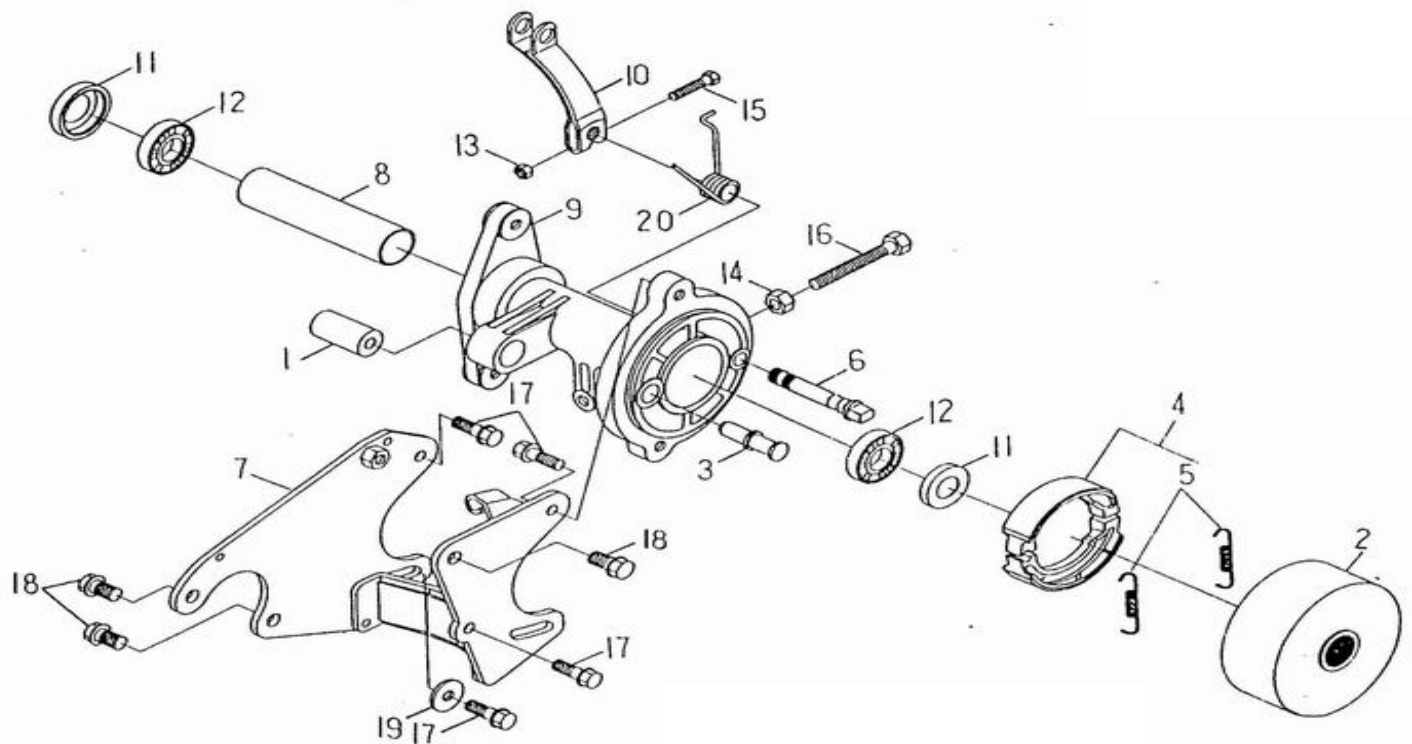
# REAR WHEEL



NO	PARTS NO.	PARTS NAME	Q'TY
1	25741-SK2-00	CHAIN 415H*40L	1
2	32191-SK2-00	DRIVE CHAIN CASE	1
3	42570-RAM-00	VALVE,RIM	2
4	42590-SK2-00	TIRE,FRONT 145/70-6	2
5	42812-SK2-00	SPROCKET,DRIVEN 415-21T	1
6	42821-SK2-00	COLLAR,SPROCKET	1
7	42835-SK2-00	AXEL,WHEEL	1
8	42836-SK2-00	SPACER,BEARING L	1
9	42837-SK2-00	SPACER,BEARING R	1
10	42880-SK2-00	WHEEL,REAR	2
11	90240-29025-B	PIN,COTTER 2.9*25	2
12	95321-142215-C	NUT,CASTLE	2
13	96414-06022-B	BOLT,FLANGE	3
14	96414-08012-B	BOLT,FLANGE	3
15	97201-142620-C	WASHER,PLATE 14.7*25.7*2	2

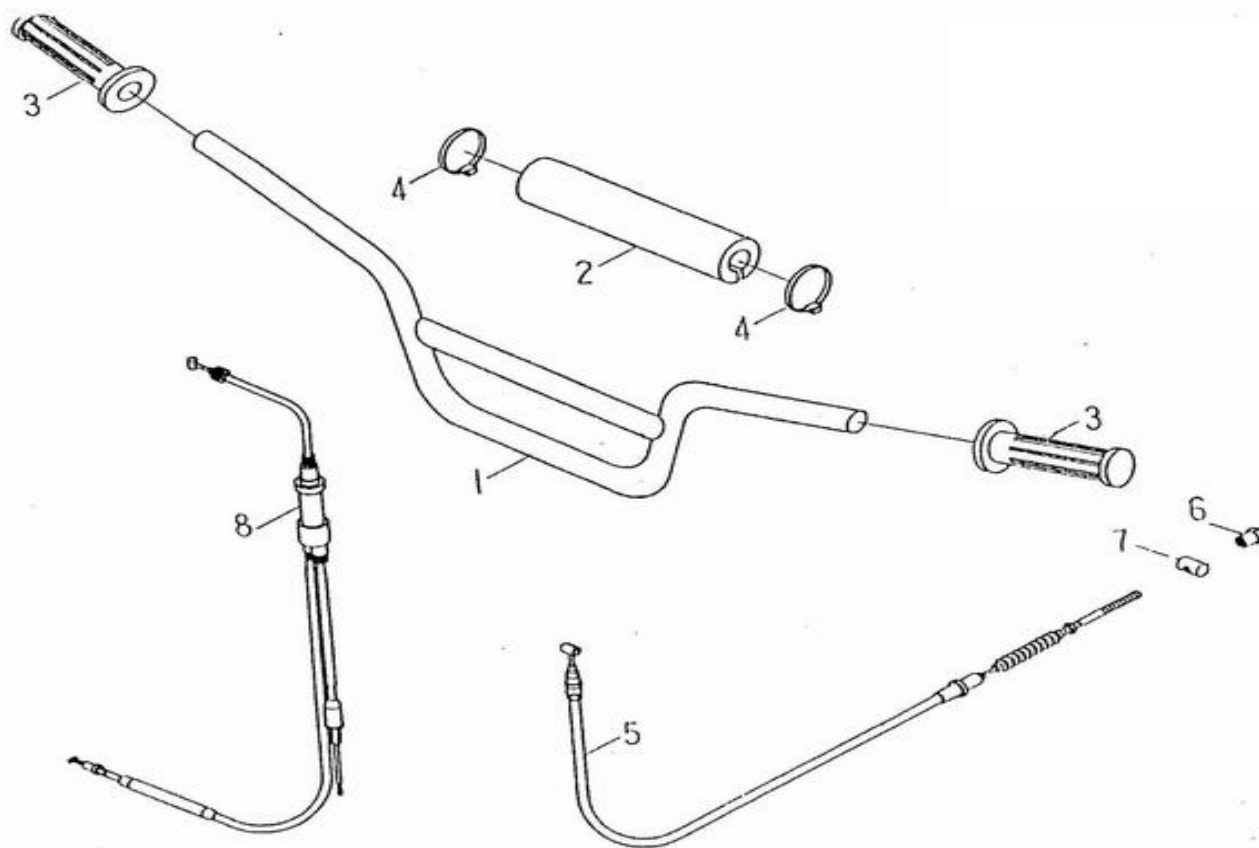


# REAR BRAKE



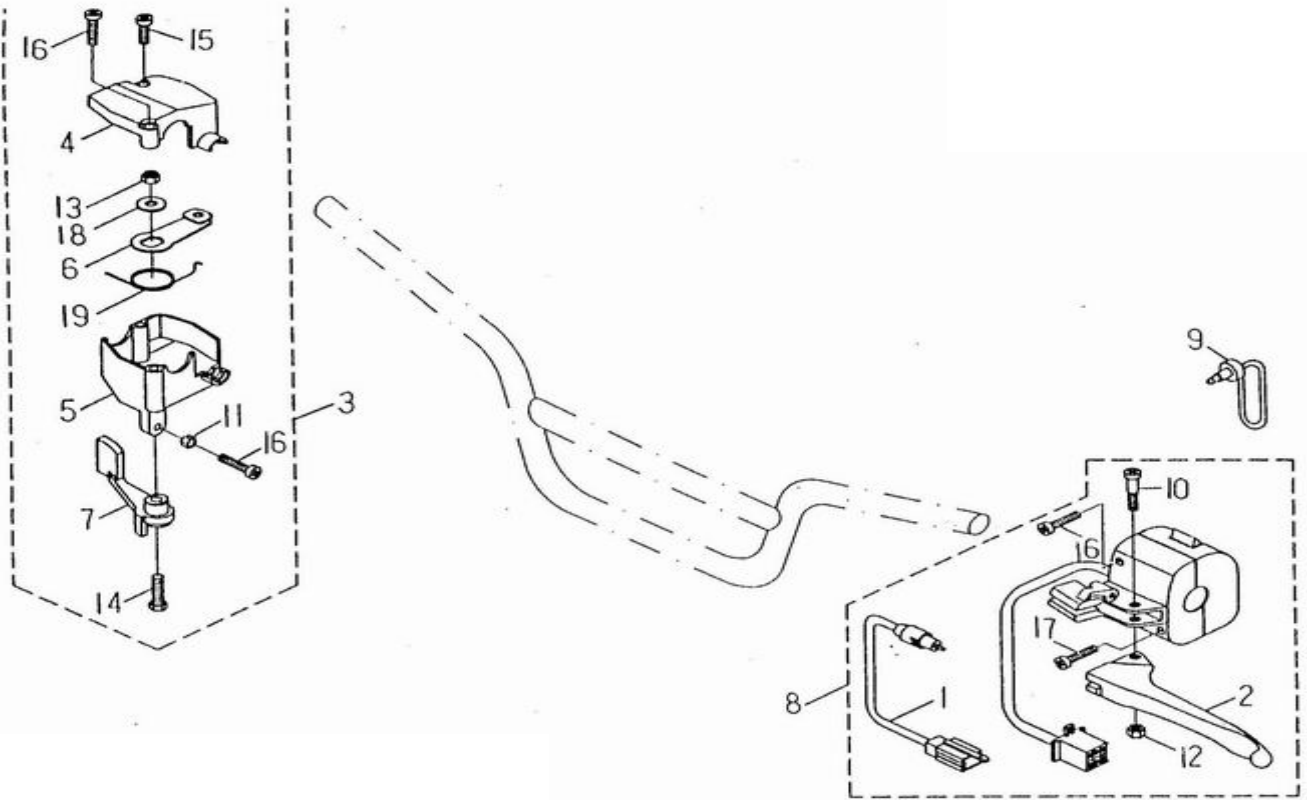
NO	PARTS NO.	PARTS NAME	Q'TY
1	15116-NAF-00	BUSHER,REAR SHOCK ABSORBER	1
2	32320-SK2-00	HUB,REAR BRAKE	1
3	32326-SK2-00	PIN,PIVOT	1
4	32345-SK2-00	BRAKE SHOE KIT	1
5	32346-SK2-00	SPRING,TENSION	2
6	32351-SK2-00	CAMSHAFT	1
7	41191-SK2-00	ENGINE HANGER	1
8	42815-SK2-00	SPACER,BEARING	1
9	42881-SK2-00	HUB,REAR	1
10	45855-SK9-00	LEVER,CAMSHAFT	1
11	93110-30477	OIL SEAL 30*47*7	2
12	93320-254712	BEARING,RADIAL BALL 6005CS05/2A	2
13	95201-050804-B	NUT,HEXAGON	1
14	95201-081207-B	NUT,HEXAGON	1
15	96210-05025-B	BOLT,HEXAGON	1
16	96210-08055-B	BOLT,HEXAGON	1
17	96414-08016-B	BOLT,FLANGE	5
18	96414-10020-B	BOLT,FLANGE	3
19	97201-082420-B	WASHER,PLATE 8.7*24*2.0	2
20	97508-25155-B	SPRING TORSION	1

# STEERING HANDLE CABLE



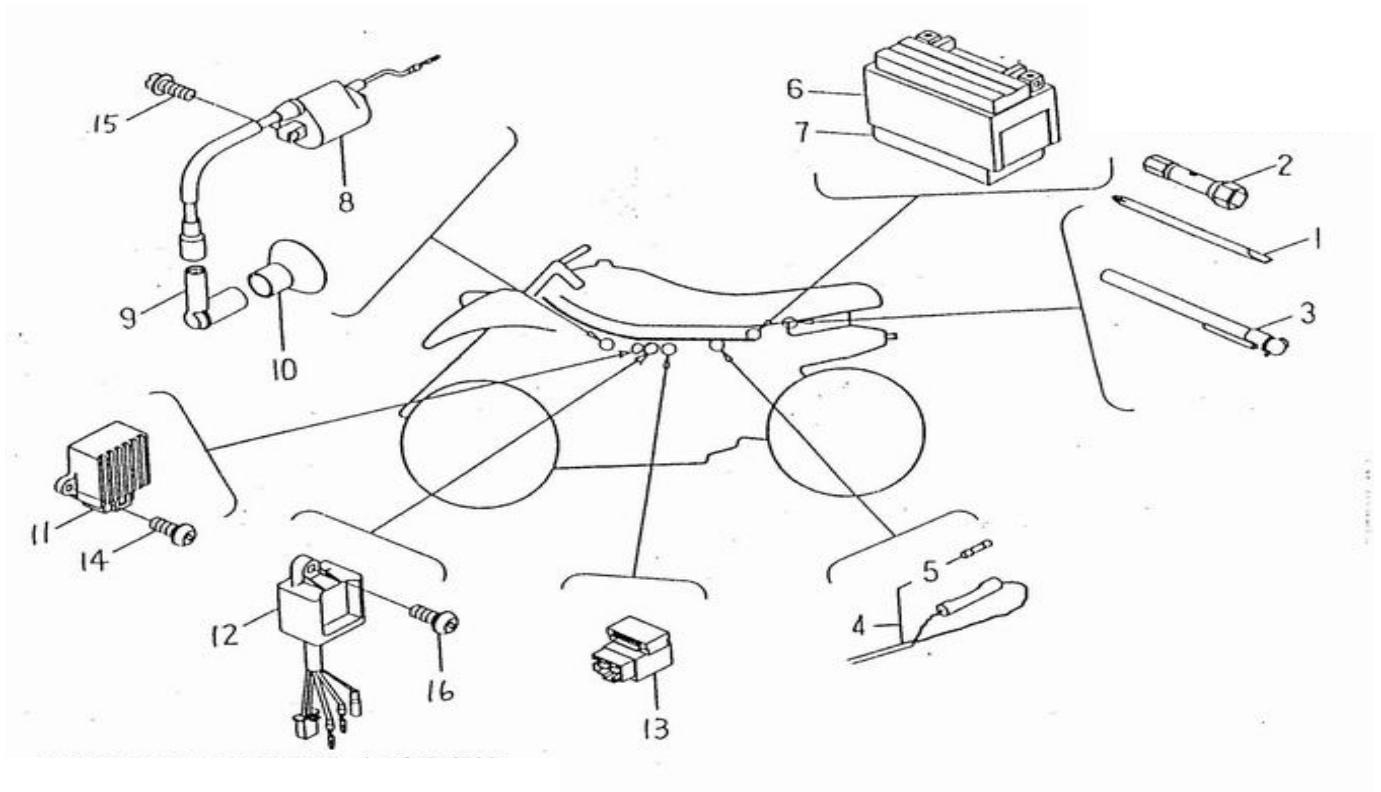
NO	PARTS NO.	PARTS NAME	Q'TY
1	46110-SK2-00	HANDLEBAR	1
2	46117-SK2-00	PROTECTOR	1
3	46240-SK2-00	GRIP	2
4	61135-SK2-00	BANED,CORD 100mm	2
5	61320-SK2-00	CABLE,BRAKE	1
6	61379-NAF-01	NUT,ADJUST	1
7	61389-NAF-00	PIN,FIXTURE	1
8	61620-SK2-00	CABLE,THROTTLE	1

# HANDLE SWITCH



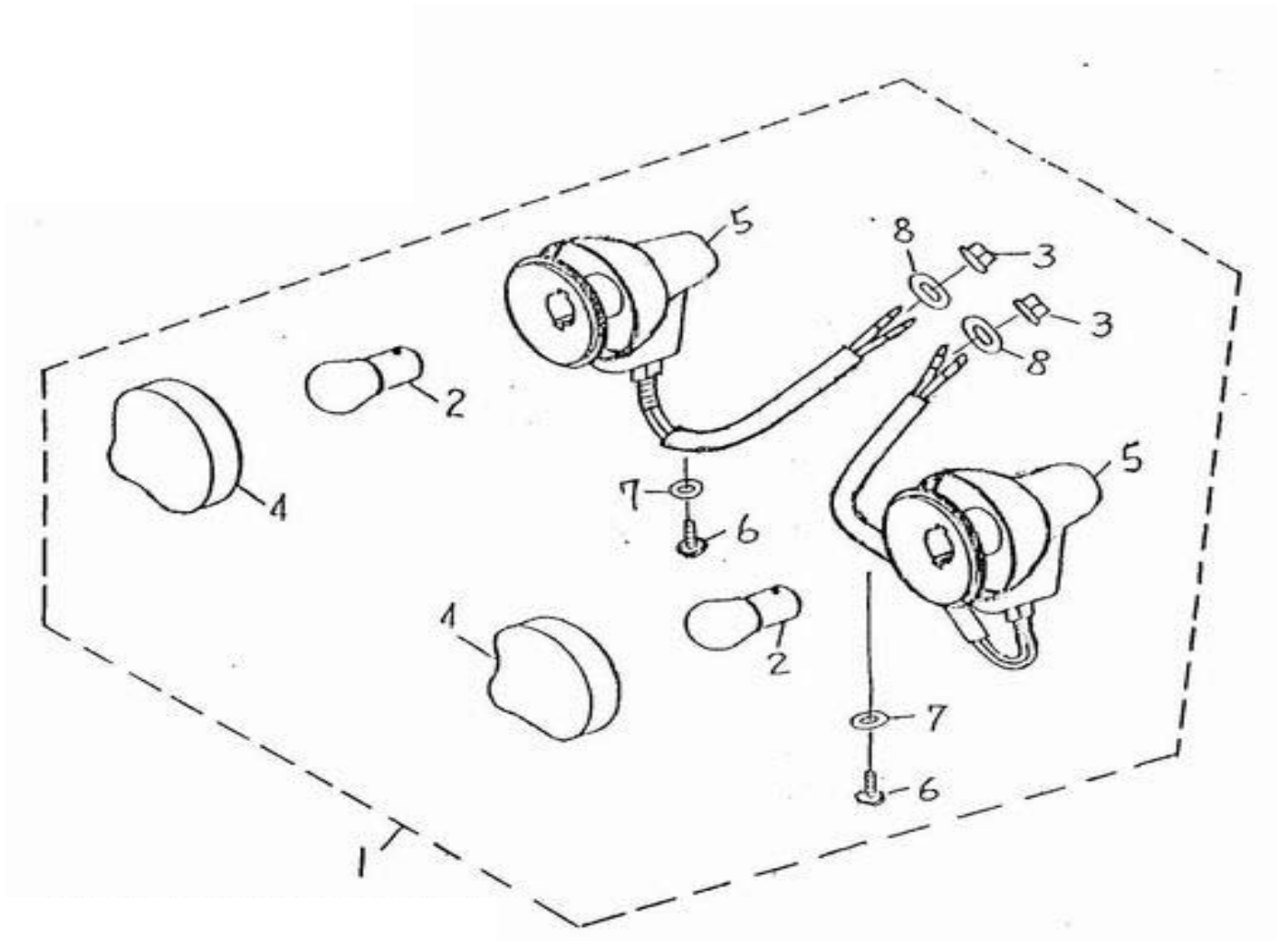
NO	PARTS NO.	PARTS NAME	Q'TY
1	42890-SK9-00	FRONT STOP SWITCH	1
2	62912-SK2-00	LEVER,L	1
3	62920-SK2-00	THROTTLE LEVER ASS'Y	1
4	62923-SK2-00	CAP,THROTTLE	1
5	62925-SK2-00	THROTTLE LEVER	1
6	62927-SK2-00	ARM,THROTTLE	1
7	62928-SK2-00	LEVER,THROTTLE	1
8	62930-SK2-00	HANDLE SWITCH ASS'Y L	1
9	62935-SK2-00	ENGINE STOP BELT	1
10	94710-05023-G	BOLT,LEVER	1
11	95201-050804-G	BOLT,HEXAGON	1
12	95311-050805-G	NUT,NYLON	1
13	95311-061006-G	NUT,NYLON	1
14	96210-06020-B	BOLT,HEXAGON	1
15	96310-05015-G	SCREW,PAN HEAD	1
16	96310-05020-G	SCREW,PAN HEAD	3
17	96310-05025-G	SCREW,PAN HEAD	1
18	97201-061616-C	WASHER,PLATE 6.5*16*1.6	1
19	97508-10240-B	SPRING	1

# WIRE HARNESS



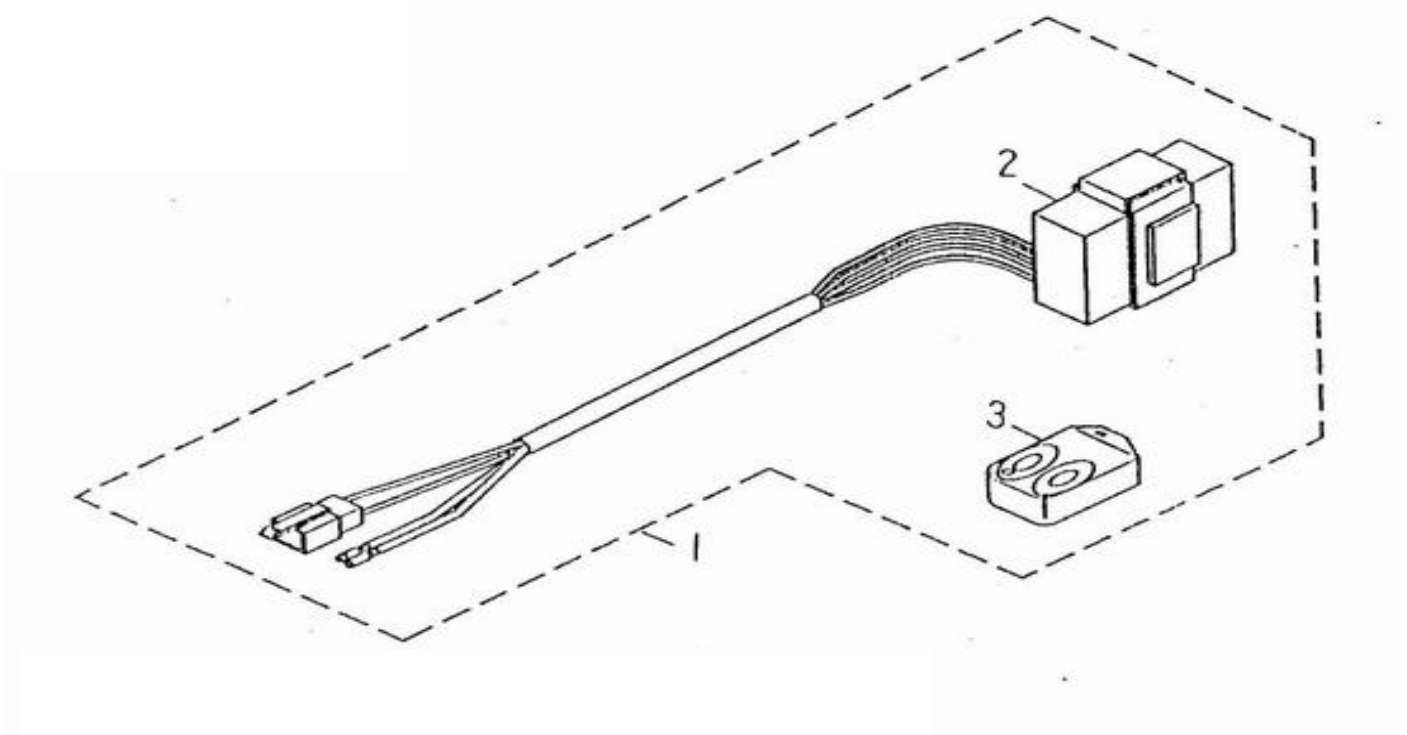
NO	PARTS NO.	PARTS NAME	Q'TY
1	56120-NAF-00	SCREW DRIVER	1
2	56140-SK9-00	TOOL PLUG	1
3	56190-RAM-00	GAUGE,AIR	1
4	61120-SK3-00	WIRE,HARNESS	1
5	61151-NAF-00	FUSE	1
6	62100-NAF-00	BATTERY ASS'Y (YTX4L-BS)	1
7	62111-SK9-00	BATTERY PACKING	1
8	62310-NAF-00	IGNITIN COIL ASS'Y	1
9	62320-NAF-00	PLUG CAP ASS'Y	1
10	62322-NAF-00	SEAL,PLUG CAP	1
11	62360-NAF-00	RECTIFIER & REGULATOR COMP	1
12	62540-NAF-00	C.D.I UNIT ASS'Y	1
13	62550-SK2-00	STARTER RELAY SWITCH COMP	1
14	96310-05012-B	SCREW,PAN HEAD 5*12	1
15	96312-06020-C	SCREW,PAN HEAD WITH WASHER	1
16	96310-05016-B	SCREW,PAN HEAD 5*16	1

# HEADLIGHT



NO	PARTS NO.	PARTS NAME	Q'TY
1	55300-AK3-00	HEAD LIGHT ASS'Y	1
2	55314-AK3-00	BULB,HEAD LIGHT 12V 10W	2
3	95401-101409-B	NUT FLANGE	2
4	55320-AK3-00	LENS ASS'Y	2
5	55340-AK3-00	SOCKEY CORD ASS'Y	1
6	96112-41218-K	SCREW,TAPPING	2
7	97201-051410-B	WASHER,PLATE 5*14*1.0	2
8	97201-102620-B	WASHER,PLATE 10*26*2.0	2

# REMOTE CONTROL ENGINE STOP SWITCH



NO	PARTS NO.	PARTS NAME	Q'TY
1	62330-SK2-00	TELECONTROL INSTRUMENT ASS'Y	1
2	62331-SK2-00	RECEPTION INSTRUMENT	1
3	62332-SK2-00	TELECONTROL INSTRUMENT	1

## MENU PAGE

FIG NO	PARTS NO.	PARTS NAME	Q'TY
FIG01 1	11111-NAF-00B	CYLINDER	1
FIG01 2	11121-NAF-00	HEAD, cylinder	1
FIG01 3	11151-NAF-00	GASKET, cylinder	1
FIG01 4	11181-NAF-00	GASKET, cylinder head	1
FIG01 5	62210-NAF-01	PLUG, spark (NGK BPR7HS)	1
FIG01 6	94717-07109-C	BOLT, stud	4
FIG01 7	95401-071007-C	NUT, flange	4
FIG02 1	11400-SK5-00	CRANKSHAFT ASSEMBLY	1
FIG02 2	11412-SK5-00	CRANK L	1
FIG02 3	11422-SK5-00	CRANK R	1
FIG02 4	11451-NAF-00	ROD, connecting	1
FIG02 5	11481-NAF-00	PIN, crank	1
FIG02 6	11631-SK2-00	PISTON (STD)	1
FIG02 7	11636-SK2-00	PISTON RING SET (STD)	1
FIG02 8	93110-20306	OIL SEAL	1
FIG02 9	93110-20428	OIL SEAL	1
FIG02 10	93310-1014125	BEARING, needle roller	1
FIG02 11	93310-1622118	BEARING, needle roller	1
FIG02 12	93320-204714J	BEARING, radial ball	2
FIG02 13	93510-051033	PIN, piston	1
FIG02 14	93510-152012	COLLAR	1
FIG02 15	94420-03013	KEY, semicircle	1
FIG02 16	97505-10012	CIRCLIP	2
FIG03 1	12611-NAF-00	FAN	1
FIG03 2	12631-NAF-00	DEFLECTOR	1
FIG03 3	12651-NAF-00	AIR SHROUD, cylinder	1
FIG03 4	12653-NAF-00	AIR SHROUD, fan	1
FIG03 5	12658-NAF-00	DAMPER, air shroud	3
FIG03 6	93560-68510	COLLAR	2
FIG03 7	93581-41610	GROMMET	2
FIG03 8	93580-81610	GROMMET	2
FIG03 9	96110-64016-C	SCREW tapping	1
FIG03 10	96312-06020-K	SCREW, pan head with washer	2
FIG03 11	96314-06016-C	SCREW, pan head with washer	4
FIG04 1	13100-SK2-00	OIL PUMP ASSEMBLY	1
FIG04 2	13124-NAF-00	GEAR WORM WHEEL (40T)	1
FIG04 3	13178-NAF-00	GEAR, pump drive	1
FIG04 4	13185-NAF-00	BOLT, breather	1
FIG04 5	13187-NAF-00	GASKET, breather bolt	1
FIG04 6	90210-06005.	CLIP	1
FIG04 7	90210-08009.	CLIP	2
FIG04 8	90310-20050.	HOSE	1
FIG04 9	90310-50570.	HOSE	1
FIG04 10	93210-16195	O-RING	1
FIG04 11	94430-30012.	PIN, dowel	1
FIG04 12	94510-30012	PIN, dowel	1
FIG04 13	96310-05014-C	SCREW, pan head	2
FIG04 14	97010-19012	CIRCLIP	2
FIG04 15	97011-07008.	CIRCLIP	1
FIG05 1	13201-NAF-01	CARBURETOR ASSEMBLY	1

FIG05 2	13203-NAF-00	THROTTLE SCREW SET	1
FIG05 3	13204-NAF-00	AIR SCREW SET	1
FIG05 4	13207-NAF-00	NEEDLE VALVE SET	1
FIG05 5	13211-NAF-00	NEEDLE SET	1
FIG05 6	13212-NAF-00	VALVE, throttle	1
FIG05 7	13223-NAF-00	PLUG, VALUUM	1
FIG05 8	13233-NAF-00	SPRING, throttle stop	1
FIG05 9	13240-NAF-01	JET, MAIN (#55)	1
FIG05 10	13241-NAF-00	NOZZLE, main	1
FIG05 11	13242-NCF-01	JET, pilot(#25)	1
FIG05 12	13247-NAF-00	O-RING	1
FIG05 13	13261-NAF-00	NUT,cable adjusting	1
FIG05 14	13271-NAF-00	PLUNGER, starter	1
FIG05 15	13286-NAF-00	PIN, float	1
FIG05 16	13291-NAF-00	PLUNG, drain	1
FIG05 17	13296-NAF-00	GASKET	1
FIG05 18	13297-NAF-00	GASKET, float chamber	1
FIG05 19	13298-NAF-00	PIPE	1
FIG05 20	93510-111411	COLLAR (11mm)	1
FIG05 21	96310-03006-C	SCREW, PAN HEAD	1
FIG05 22	96312-04014-C	SCREW, pan head	4
FIG05 23	96312-04008-C	SCREW, pan head with washer	2
FIG05 24	96312-04012-C	SCREW, pan head with washer	2
FIG06 1	13410-SK3-00	AIR CLEANER ASSEMBLY	1
FIG06 2	13411-SK3-00	CASE, AIR CLEANER	1
FIG06 3	13412-SK3-00	CAP, CLEANER CASE	1
FIG06 4	13433-SK3-00	PLATE, ELEMENT SET	1
FIG06 5	13451-SK3-00	ELEMENT, AIR CLEANER	1
FIG06 6	13453-SK3-00	JOINT, AIR CLEANER	1
FIG06 7	13555-NAF-00	MAINIFOLD, INTAKE	1
FIG06 8	13610-NAF-00	REED VALVE ASSEMBLY	1
FIG06 9	13621-NAF-00	GASKET, VALVE SEAT	1
FIG06 10	90210-23043	CLIP	1
FIG06 11	90260-13325	CLANP, HOSE	1
FIG06 12	96510-06020-K	BOLT, SOCKET	4
FIG07 1	15111-SK5-00	CRANKCASE, LEFT	1
FIG07 2	15116-SK2-00	NUT, FLANGE	1
FIG07 3	15118-SK2-00	BUSH, ENGINE HANGER RUBBER	2
FIG07 4	15163-NAF-00	PLUG, OIL	1
FIG07 5	15171-NAF-00	BREATHER	1
FIG07 6	15211-SK5-00	CRANKCASE, RIGHT	1
FIG07 7	15221-NAF-01	GASKET, STATOR	1
FIG07 8	15228-NAF-00	HOLDER	1
FIG07 9	15311-YAN-00	COVER, GEARBOX	1
FIG07 10	15351-YAN-01	GASKET, GEARBOX COVER	1
FIG07 11	15411-SK9-00	COVER, CRANKCASE	1
FIG07 12	15481-YAN-01	GASKET, CRANKCASE COVER	1
FIG07 13	90311-50070	HOSE, BREATHER	1
FIG07 14	93210-24140	O-RING	1
FIG07 15	93210-31080	O-RING	1
FIG07 16	93320-082809Z	BEARING, RADIAL BALL	1
FIG07 17	94410-10014	PIN, DOWEL	4
FIG07 18	94410-12016	PIN, DOWEL	2



FIG07 19	96310-06012-C	SCREW, PAN HEAD	1
FIG07 20	96310-06020-B	SCREW, PAN HEAD	3
FIG07 21	96310-06025-B	SCREW, PAN HEAD	8
FIG07 22	96310-06035-B	SCREW, PAN HEAD	10
FIG07 23	96310-06065-B	SCREW, PAN HEAD	1
FIG07 24	96414-08016-C	BOLT, FLANGE	1
FIG07 25	97230-081512	WASHER, COPPER	1
FIG08 1	23524-NAF-00	WHEEL, starter	1
FIG08 2	23538-NAF-00	BOSS, gear	1
FIG08 3	23570-NAF-00	STARTER CLUTCH ASSEMBLY	1
FIG08 4	23576-NAF-00	STARTER CLUTCH ,roller	3
FIG08 5	23578-NAF-00	STARTER CLUTCH, scover	3
FIG08 6	23612-NAF-00	IDLE GEAR	1
FIG08 7	23632-NAF-00	PLATE, idle gear	1
FIG08 8	23650-NAF-00	IDLE GEAR ASSEMBLY	1
FIG08 9	93310-0812100	BEARING, needle rooler	1
FIG08 10	93310-5559127	BEARING, needle rooler	1
FIG08 11	94510-80032	SHAFT, gear	1
FIG08 12	96104-51016-C	SCREW, tapping	3
FIG08 13	96310-06012-C	SCREW, pan head	2
FIG08 14	97201-081620-C	WASHER, plate	2
FIG08 15	97201-557606	WASHER, plate	1
FIG08 16	97501-02021	STARTER CLUTCH,spring	3
FIG09 1	25602-NAF-00	SECONDARY SHEAVE ASSEMBLY	1
FIG09 2	25611-NAF-00	CLUTCH HOUSING COMP	1
FIG09 3	25620-NAF-00	CLUTCH CARRIER ASSEMBLY	1
FIG09 4	25626-NAF-00	SPRING,CLUTCH WEIGHT	3
FIG09 5	25660-NAF-00	SECONDARY FIXED SHEAVE COMP	1
FIG09 6	25664-NAF-00	PIN,GUIDE	2
FIG09 7	25670-NAF-00	SECONDARY SLIDING SHEAVE	1
FIG09 8	25680-NAF-00	SPRING,COMPRESSION	1
FIG09 9	25684-NAF-00	SEAT,SECONDARY SPRING	1
FIG09 10	25711-NAF-00	SHEAVE,PRIMARY FIXED	1
FIG09 11	25716-NAF-00	WASHER,CLAW	1
FIG09 12	25720-NAF-00	PRIMARY SLIDING SHEAVE	1
FIG09 13	25721-NAF-00	PRIMARY SLIDING SHEAVE	1
FIG09 14	25723-NAF-00	CAM,PLATE	1
FIG09 15	25732-NAF-00	WEIGHT ROLLER	6
FIG09 16	25741-YAF-03	V-BELT	1
FIG09 17	25753-NAF-00	SLIDER	3
FIG09 18	93110-33394 .	OIL SEAL	2
FIG09 19	93210-20360 .	O-RING	2
FIG09 20	93510-131834	BUSHING,SLIDING CLUTCH	1
FIG09 21	93510-182322	BUSHING,SLIDING SHEAVE	1
FIG09 22	95201-101708-C	NUT,HEXAGON	1
FIG09 23	95201-102406-C	NUT,HEXAGON	1
FIG09 24	95201-284104-C	NUT,HEXAGON	1
FIG09 25	97201-132550-C	WASHER,PLATE	1
FIG10 1	25711-SK2-00	SPROCKET DRIVE 415-11T	1
FIG10 2	26111-YAF-00	GEAR,PRIMARY DRIVE (13T)	1
FIG10 3	26410-YAF-00	MAIN AXLE COMP (48/12T)	1
FIG10 4	26420-SK2-01	DRIVE AXLE ASSEMBLY (36T)	1
FIG10 5	93110-17285	OIL SEAL	1

FIG10 6	93110-25356	OIL SEAL	1
FIG10 7	93310-2533160	BEARING,NEEDLE ROLLER	1
FIG10 8	93320-123210	BEARING,RADIAL BALL	1
FIG10 9	93320-173510	BEARING,RADIAL BALL	1
FIG10 10	93320-204212U	BEARING,RADIAL BALL	1
FIG10 11	93510-202531-B	COLLAR	1
FIG10 12	95311-142214-C	NUT,NYLON	1
FIG10 13	96310-06010-B	SCREW,PAN HEAD	1
FIG10 14	97010-17010-K	CIRCLIP	1
FIG10 15	97012-42018-K	CIRCLIP	1
FIG10 16	97013-33012-K	CIRCLIP	1
FIG10 17	97201-061910-B	WASHER,PLATE	1
FIG10 18	97201-122210	WASHER,PLATE	1
FIG10 19	97201-152930-B	WASHER,PLATE	1
FIG10 20	97310-126005	WASHER,CONICAL SPRING	1
FIG11 1	35500-NAF-00	GENERATOR ASSEMBLY	1
FIG11 2	35550-NAF-00	ROTOR ASSEMBLY	1
FIG11 3	35560-NAF-00	BASE ASSEMBLY	1
FIG11 4	35580-NAF-00	COIL,PULSER	1
FIG11 5	93110-19265 .	OIL SEAL	1
FIG11 6	95201-101408-C	NUT,HEXAGON	1
FIG11 7	96312-04006-C	SCREW,PAN HEAD,WITH WASHER	1
FIG11 8	96312-06010-C	SCREW,PAN HEAD.WITH WASHER	2
FIG11 9	96310-06016-C	SCREW,PAN HEAD	2
FIG11 10	96312-06025-C	SCREW,PAN HEAD,WITH WASHER	2
FIG11 11	97201-101726-C	WASHER,PLATE	1
FIG12 1	35800-NAF-00	STARTING MOTOR ASSEMBLY	1
FIG12 2	35801-NAF-00	BRUSH SET	1
FIG12 3	35811-NAF-00	GASKET,YOKE	1
FIG12 4	35831-NAF-00	CORD COMP	1
FIG12 5	93210-19230 .	O-RING	1
FIG12 6	96312-04012-C	SCREW,PAN HEAD WITH WASHER	2
FIG12 7	96510-06020-K	BOLT,SOCKET	2
FIG13 1	31610-SK2-00	EXHAUST MUFFLER ASS'Y	1
FIG13 2	31613-NAF-00	GASKET,EXHAUST PIPE (25.4*34*4)	1
FIG13 3	31615-NAF-02	PIPE,REDUCTION (?9)	1
FIG13 4	94714-06018-C	BOLT,FLANGE	2
FIG13 5	96414-08016-B	BOLT,FLANGE	1
FIG14 1	32210-SK2-00	SHOCK ABSORBER ASS'Y,REAR	1
FIG14 2	90240-18016-B	PIN.COTTER 1.8*16	1
FIG14 3	94716-08039-B	BOLT	1
FIG14 4	95401-081208-B	NUT,FLANGE	1
FIG14 5	96414-08035-B	BOLT,FLANGE	1
FIG15 1	41110-SK2-01	FRAME COMP	1
FIG15 2	93330-152118	BUSH,SOLID	2
FIG15 3	94610-10190-B	BOLT,FLANGE	1
FIG15 4	95311-101710-B	NUT,NYLON	1
FIG15 5	62111-CHP-00	PADDED	2
FIG16 1	42126-SK2-00	SHOCK ABSORBER ASS'Y	2
FIG16 2	42161-SK2-01	FRT,ARM	1
FIG16 3	42173-RAM-00	COLLAR	1
FIG16 4	42183-RAM-00	COVER,THRUST	2
FIG16 5	45825-SK9-00	COLLAR	2

FIG16 6	45827-SK9-00	COVER,THRUST	4
FIG16 7	90240-18016-B	PIN COTTER 1.8*16	4
FIG16 8	93330-152118	BUSH,SOLID	2
FIG16 9	93330-172330	BUSH,SOLID	4
FIG16 10	94340-06010-B	NIPPLE,GREASE	2
FIG16 11	94610-10197-C	BLOT,FLANGE	1
FIG16 12	94716-08039-B	BLOT	4
FIG16 13	95311-101710-B	NUT,NYLON	1
FIG16 14	95401-081208-B	NUT,FLANGE	4
FIG17 1	42101-SK2-00	COLUMN,STEERING	1
FIG17 2	42140-SK2-00	BRIDGE, TOP	2
FIG17 3	42141-SK2-00	ROD,TIE	2
FIG17 4	42142-SK2-00	JOINT,UNIVERSAL R	2
FIG17 5	42143-SK2-00	JOINT,UNIVERSAL L	2
FIG17 6	42146-SK2-00	NUT	2
FIG17 7	46125-SK2-00	HOLDER,HANDLE UPR	4
FIG17 8	46411-SK2-00	BEARING,STEERING	2
FIG17 9	46417-SK2-00	PU BUSH	1
FIG17 10	90240-23020-B	PIN,COTTER 2.3*20	1
FIG17 11	95201-101408-B	NUT,HEXAGON	2
FIG17 12	95311-101710-B	NUT,NYLON	4
FIG17 13	95401-101409-B	NUT,FLANGE	1
FIG17 14	96414-08050-B	BOLT,FLANGE	6
FIG17 15	97201-102620-B	WASHER,PLATE	1
FIG17 16	97301-101720-B	WASHER,SPRING	1
FIG18 1	43102-SK2-00	CAP ASS'Y	1
FIG18 2	43103-SK2-00	CAP WASHER	1
FIG18 3	43110-SK2-00	PETROL TANK	1
FIG18 4	43500-SK3-00	FUEL COCK ASS'Y	1
FIG18 5	43751-SK2-00	OIL TANK	1
FIG18 6	43771-NAF-01	BODY,CAP	1
FIG18 7	90310-50135	HOSE,FUEL 5*10*135	2
FIG18 8	90310-50440	HOSE 5*8*440	1
FIG18 9	96310-06016-C	SCREW,PAN HEAD	5
FIG18 10	97201-061820-B	WASHER,PLATE	4
FIG18 11	43570-NAF-00	FUEL FILTER	1
FIG19 1	51171-SK3-01	SIDE COVER	1
FIG19 2	53483-SK2-00	MAT L	1
FIG19 3	53484-SK2-00	MAT R	1
FIG19 4	56576-AK2-00	LABEL WARNING 3 (TIRE)	1
FIG19 5	56578-AK2-00	LABEL WARNING 2 (AGE)	1
FIG19 6	56781-AK2-00	LABEL WARNING 1 (OPERATION)	1
FIG19 8	96218-06016-B	BOLT,HEXAGON WITH WASHER	8
FIG19 9	96318-06012-B	SCREW,PAN HEAD	2
FIG19 10	97321-061825-B	WASHER,FLANGE	2
FIG20 1	52730-SK2-00	SINGLE SEAT ASS'Y	1
FIG20 2	94716-06016-C	BOLT,BUTTERFLY	1
FIG20 3	97201-062220-B	WASHER,PLATE	1
FIG21 1	42570-RAM-00	VALVE,RIM	2
FIG21 2	42580-SK2-00	WHEEL,FRONT	2
FIG21 3	42590-SK2-00	TIRE,FRONT 145/70-6	2
FIG21 4	45861-SK2-00	KNUCKLE,STEERING L	1
FIG21 5	45866-SK2-00	KNUCKLE,STEERING R	1

FIG21 6	90240-29025-B	PIN,COTTER 2.9*25	2
FIG21 7	93110-20355	OIL SEAL 20*35*5	2
FIG21 8	93110-22357	OIL SEAL 22*35*7	2
FIG21 9	93320-153511S	BEARING,RIDIAL BALL 6202CS05/2A	4
FIG21 10	93510-152008-B	COLLAR	2
FIG21 11	93510-152233-B	SPACER,BEARING	2
FIG21 12	94610-10100-B	BOLT,FLANGE	2
FIG21 13	95311-101710-B	NUT,NYLON	2
FIG21 14	95321-142215-C	NUT,CASTLE	2
FIG21 15	97201-142620-C	WASHER,PLATE 14.7*25.7*2	2
FIG22 1	25741-SK2-00	CHAIN 415H*40L	1
FIG22 2	32191-SK2-00	DRIVE CHAIN CASE	1
FIG22 3	42570-RAM-00	VALVE,RIM	2
FIG22 4	42590-SK2-00	TIRE,FRONT 145/70-6	2
FIG22 5	42812-SK2-00	SPROCKET,DRIVEN 415-21T	1
FIG22 6	42821-SK2-00	COLLAR,SPROCKET	1
FIG22 7	42835-SK2-00	AXEL,WHEEL	1
FIG22 8	42836-SK2-00	SPACER,BEARING L	1
FIG22 9	42837-SK2-00	SPACER,BEARING R	1
FIG22 10	42880-SK2-00	WHEEL,REAR	2
FIG22 11	90240-29025-B	PIN,COTTER 2.9*25	2
FIG22 12	95321-142215-C	NUT,CASTLE	2
FIG22 13	96414-06022-B	BOLT,FLANGE	3
FIG22 14	96414-08012-B	BOLT,FLANGE	3
FIG22 15	97201-142620-C	WASHER,PLATE 14.7*25.7*2	2
FIG23 1	15116-NAF-00	BUSHER,REAR SHOCK ABSORBER	1
FIG23 2	32320-SK2-00	HUB,REAR BRAKE	1
FIG23 3	32326-SK2-00	PIN,PIVOT	1
FIG23 4	32345-SK2-00	BRAKE SHOE KIT	1
FIG23 5	32346-SK2-00	.SPRING,TENSION	2
FIG23 6	32351-SK2-00	CAMSHAFT	1
FIG23 7	41191-SK2-00	ENGINE HANGER	1
FIG23 8	42815-SK2-00	SPACER,BEARING	1
FIG23 9	42881-SK2-00	HUB,REAR	1
FIG23 10	45855-SK9-00	LEVER,CAMSHAFT	1
FIG23 11	93110-30477	OIL SEAL 30*47*7	2
FIG23 12	93320-254712	BEARING,RADIAL BALL 6005CS05/2A	2
FIG23 13	95201-050804-B	NUT,HEXAGON	1
FIG23 14	95201-081207-B	NUT,HEXAGON	1
FIG23 15	96210-05025-B	BOLT,HEXAGON	1
FIG23 16	96210-08055-B	BOLT,HEXAGON	1
FIG23 17	96414-08016-B	BOLT,FLANGE	5
FIG23 18	96414-10020-B	BOLT,FLANGE	3
FIG23 19	97201-082420-B	WASHER,PLATE 8.7*24*2.0	2
FIG23 20	97508-25155-B	SPRING TORSION	1
FIG24 1	46110-SK2-00	HANDLEBAR	1
FIG24 2	46117-SK2-00	PROTECTOR	1
FIG24 3	46240-SK2-00	GRIP	2
FIG24 4	61135-SK2-00	BANED,CORD 100mm	2
FIG24 5	61320-SK2-00	CABLE,BRAKE	1
FIG24 6	61379-NAF-01	NUT,ADJUST	1
FIG24 7	61389-NAF-00	PIN,FIXTURE	1
FIG24 8	61620-SK2-00	CABLE,THROTTLE	1

FIG25 1	42890-SK9-00	FRONT STOP SWITCH	1
FIG25 2	62912-SK2-00	LEVER,L	1
FIG25 3	62920-SK2-00	THROTTLE LEVER ASS'Y	1
FIG25 4	62923-SK2-00	CAP,THROTTLE	1
FIG25 5	62925-SK2-00	THROTTLE LEVER	1
FIG25 6	62927-SK2-00	ARM,THROTTLE	1
FIG25 7	62928-SK2-00	LEVER,THROTTLE	1
FIG25 8	62930-SK2-00	HANDLE SWITCH ASS'Y L	1
FIG25 9	62935-SK2-00	ENGINE STOP BELT	1
FIG25 10	94710-05023-G	BOLT,LEVER	1
FIG25 11	95201-050804-G	BOLT,HEXAGON	1
FIG25 12	95311-050805-G	NUT,NYLON	1
FIG25 13	95311-061006-G	NUT,NYLON	1
FIG25 14	96210-06020-B	BOLT,HEXAGON	1
FIG25 15	96310-05015-G	SCREW,PAN HEAD	1
FIG25 16	96310-05020-G	SCREW,PAN HEAD	3
FIG25 17	96310-05025-G	SCREW,PAN HEAD	1
FIG25 18	97201-061616-C	WASHER,PLATE 6.5*16*1.6	1
FIG25 19	97508-10240-B	SPRING	1
FIG26 1	56120-NAF-00	SCREW DRIVER	1
FIG26 2	56140-SK9-00	TOOL PLUG	1
FIG26 3	56190-RAM-00	GAUGE,AIR	1
FIG26 4	61120-SK3-00	WIRE,HARNES	1
FIG26 5	61151-NAF-00	FUSE	1
FIG26 6	62100-NAF-00	BATTERY ASS'Y (YTX4L-BS)	1
FIG26 7	62111-SK9-00	BATTERY PACKING	1
FIG26 8	62310-NAF-00	IGNITIN COIL ASS'Y	1
FIG26 9	62320-NAF-00	PLUG CAP ASS'Y	1
FIG26 10	62322-NAF-00	SEAL,PLUG CAP	1
FIG26 11	62360-NAF-00	RECTIFIER & REGULATOR COMP	1
FIG26 12	62540-NAF-00	C.D.I UNIT ASS'Y	1
FIG26 13	62550-SK2-00	STARTER RELAY SWITCH COMP	1
FIG26 14	96310-05012-B	SCREW,PAN HEAD 5*12	1
FIG26 15	96312-06020-C	SCREW,PAN HEAD WITH WASHER	1
FIG26 16	96310-05016-B	SCREW,PAN HEAD 5*16	1
FIG27 1	55300-AK3-00	HEAD LIGHT ASS'Y	1
FIG27 2	55314-AK3-00	BULB,HEAD LIGHT 12V 10W	2
FIG27 3	95401-101409-B	NUT FLANGE	2
FIG27 4	55320-AK3-00	LENS ASS'Y	2
FIG27 5	55340-AK3-00	SOCKEY CORD ASS'Y	1
FIG27 6	96112-41218-K	SCREW,TAPPING	2
FIG27 7	97201-051410-B	WASHER,PLATE 5*14*1.0	2
FIG27 8	97201-102620-B	WASHER,PLATE 10*26*2.0	2
FIG28 1	62330-SK2-00	TELECONTROL INSTRUMENT ASS'Y	1
FIG28 2	62331-SK2-00	RECEPTION INSTRUMENT	1
FIG28 3	62332-SK2-00	TELECONTROL INSTRUMENT	1