

BAROSSA MOTOR INDUSTRY CO., LTD.

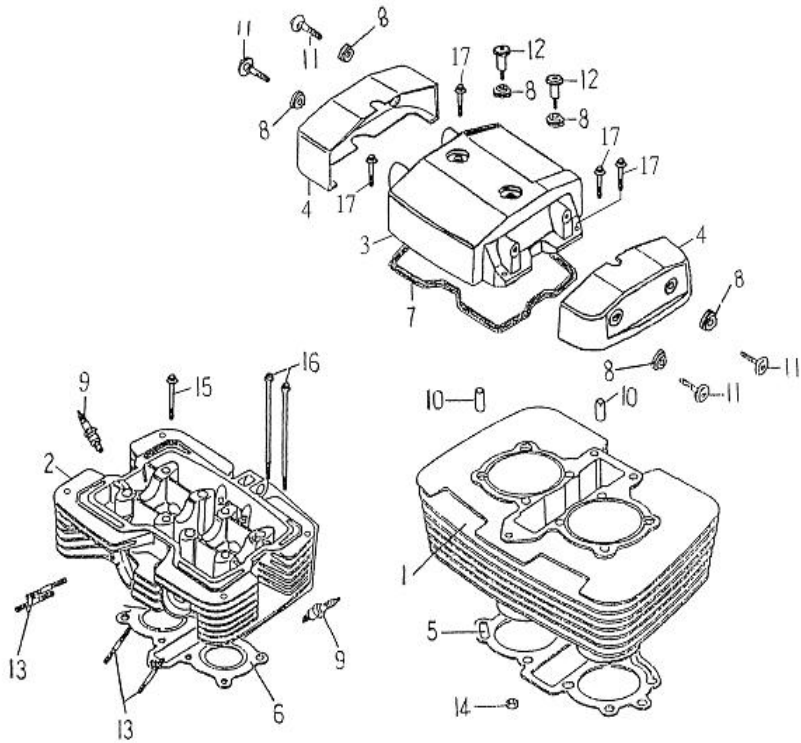
CONTENT

SPARE PARTS LIST FOR ATG250E1RF

(OIL-COOLER & FRONT DISK BRAKE & REVERSE GEAR)

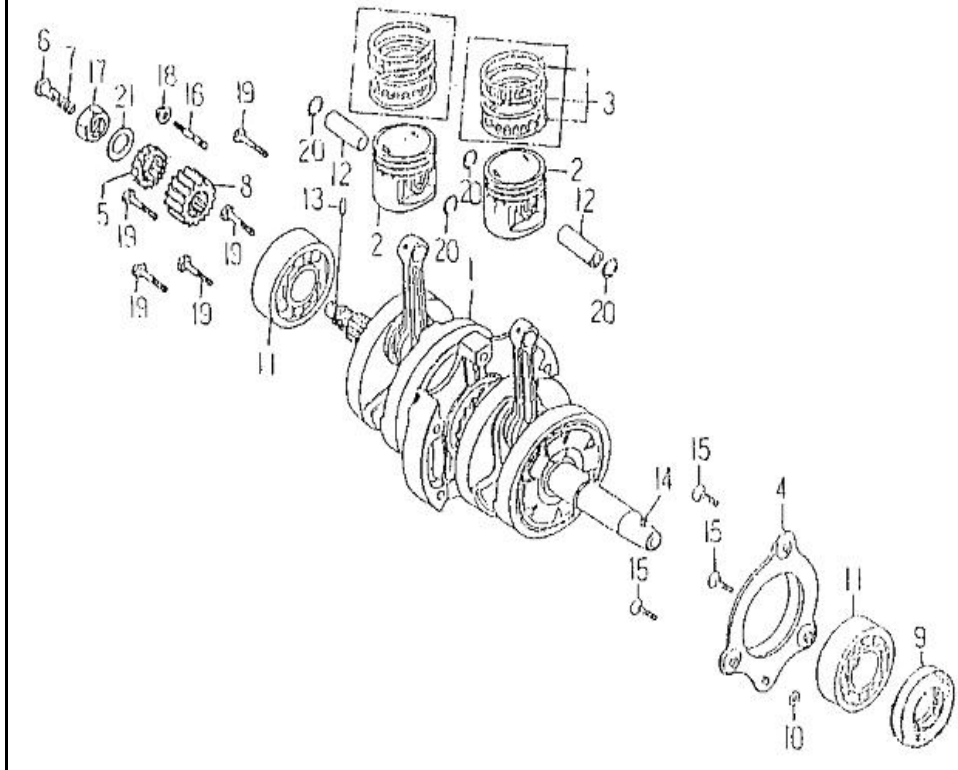
FIG 01	CYLINDER, CYLINDER HEAD	FIG 23	SEAT
FIG 02	CRANKSHAFT PISTON	FIG 24	FRONT WHEEL
FIG 03	OIL PUMP	FIG 25	FRONT BRAKE
FIG 04	CARBURETOR	FIG 26	REAR WHEEL
FIG 05	VALVE	FIG 27	TRANSMISSION STARTER
FIG 06	CAM CHAIN TENSIONER	FIG 28	GEAR CASE
FIG 07	CRANKCASE	FIG 29	GEAR SHIFT
FIG 08	LEFT CRANKCASE COVER	FIG 30	REVERSE GEAR LEVER
FIG 09	RIGHT CRANKCASE COVER	FIG 31	REAR BRAKE
FIG 10	TRANSMISSION STARTER	FIG 32	STEERING HANDLE CABLE
FIG 11	STARTING MOTOR	FIG 33	HANDLE SWITCH
FIG 12	GEAR SHIFT	FIG 34	STAND FOOTREST
FIG 13	CLUTCH	FIG 35	GUARD
FIG 14	EXHAUST MUFFLER	FIG 36	HEAD LIGHT
FIG 15	REAR ARM	FIG 37	TAIL LIGHT
FIG 16	REAR SUSPENSION	FIG 38	WIRE HARNESS
FIG 17	FRAME	FIG 39	SPEEDOMETER
FIG 18	FRONT SUSPENSION	FIG 40	WARNING
FIG 19	STEERING	FIG 41	CARRIER REAR
FIG 20	FUEL TANK	FIG 42	GEAR SPEEDOMETER
FIG 21	FRONT FENDER	FIG 43	OIL COOLING SET
FIG 22	SIDE COVER	FIG 44	NUMERICAL INDEX

FIG 01 CYLINDER.CYLINDER HEAD 汽缸.汽缸頭



NO	PARTS NO.	PARTS NAME	QTY
1	11111-CBT-00	CYLINDER COMP	1
2	11121-CBT-00	HEAD COMP, CYLINDER	1
3	11141-CBT-00	COVER, CYLINDER HEAD	1
4	11144-CBT-00	AIR SEAL HEAD SIDE COVER	2
5	11151-CBT-00	GASKET, CYLINDER	1
6	11181-CBT-00	GASKET, CYLINDER HEAD	1
7	11191-CBT-00	GASKET, HEAD COVER	1
8	11196-CBT-00	RING SEAD HEAD COVER	6
9	62210-GAT-00	PLUG, SPEAK HEAD COVER	2
10	94410-10016	PIN, DOWEL 10*16	2
11	94706-06032-R	LINKED SCREW, AIR SEAL HEAD COVER	4
12	94706-06040-R	AIR SEAL HAED COVER	2
13	94717-08042-C	BOLT, STUD 8*42	4
14	95201-061005-B	NUT, HEXAGON	1
15	96414-06065-R	BOLT, FLANGE 6*65	1
16	96414-06145-B	BOLT, FLANGE 6*145	2
17	96411-06028-B	BOLT,FLANGE 6*28	4

FIG 02 CRANKSHAFT.PISTON 曲軸.活塞



NO	PARTS NO.	PARTS NAME	QTY
1	11400-CBT-00	CRANKSHAFT COMP	1
2	11631-CBT-00	PISTON	2
3	11636-CBT-00	RING SET, PISTON	2
4	13136-CBT-00	OIL PLATE, BREATHER	1
5	13178-CBT-00	OIL PUMP DRIVING WHEEL 20T	1
6	13321-CBT-00	THROUGH OIL	1
7	13324-CBT-00	SPRING, OIL THROUGH	1
8	25641-CBT-00	GEAR, PRIMARY DRIVE 19T	1
9	93110-35527	OIL SEAL TC 35*52*7	1
10	93210-30060	O-RING 3*6	1
11	93320-256217	BEARING, RADIAL BALL 6305	2
12	93510-101541	PIN, PISTON	2
13	94510-20014	PIN, DOWEL 2*13.8	1
14	94510-40004	PIN, DOWEL 4*3.7	1
15	94712-06016-B	SCREW, PAN HEAD 6*16	3
16	94717-06033-K	BOLT, ALIEN DIAMETER M7/M6*33	1
17	95201-162210-C	NUT, HEXAGON	1
18	95401-061006-C	NUT, FLANGE	1
19	96416-08032-K	BOLT, FLANGE 8*32	5
20	97050-10017	CIRCLIP, PISTON PIN	4
21	97310-162420-K	WASHER, CONICAL SPRING 16*23.9*2	1

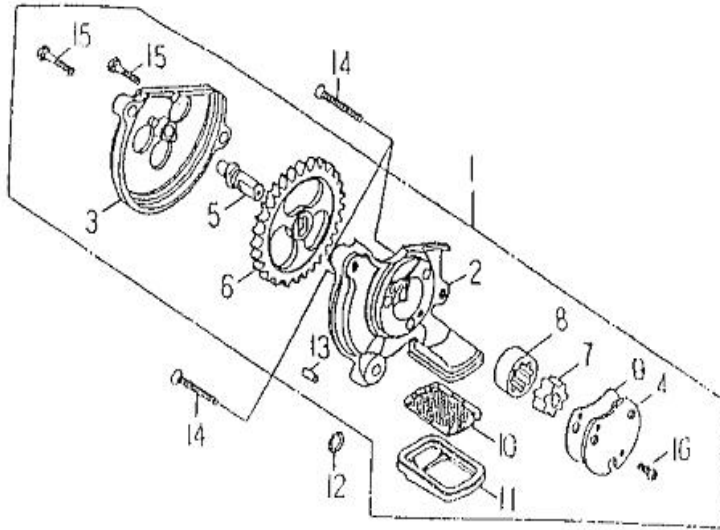
[MENU PAGE](#)

[PAGE UP](#)

[PAGE DOWN](#)

[INDEX](#)

FIG 03 OIL PUMP 機油泵



NO	PARTS NO.	PARTS NAME	QTY
1	13100-CBT-00	PUMP ASS'Y, OIL	1
2	13111-CBT-00	non détaillé	1
3	13112-CBT-00	non détaillé	1
4	13116-CBT-00	non détaillé	1
5	13121-CBT-00	non détaillé	1
6	13124-CBT-00	non détaillé	1
7	13141-CBT-00	non détaillé	1
8	13142-CBT-00	non détaillé	1
9	13151-CBT-00	non détaillé	1
10	13310-CBT-00	non détaillé	1
11	13311-CBT-00	non détaillé	1
12	93210-30060	O-RING 3*6	1
13	94510-40007	non détaillé	1
14	94712-06032-B	non détaillé	3
15	96210-05020-C	BOLT, HEXAGON 5*20	2
16	96318-05010-C	non détaillé	1

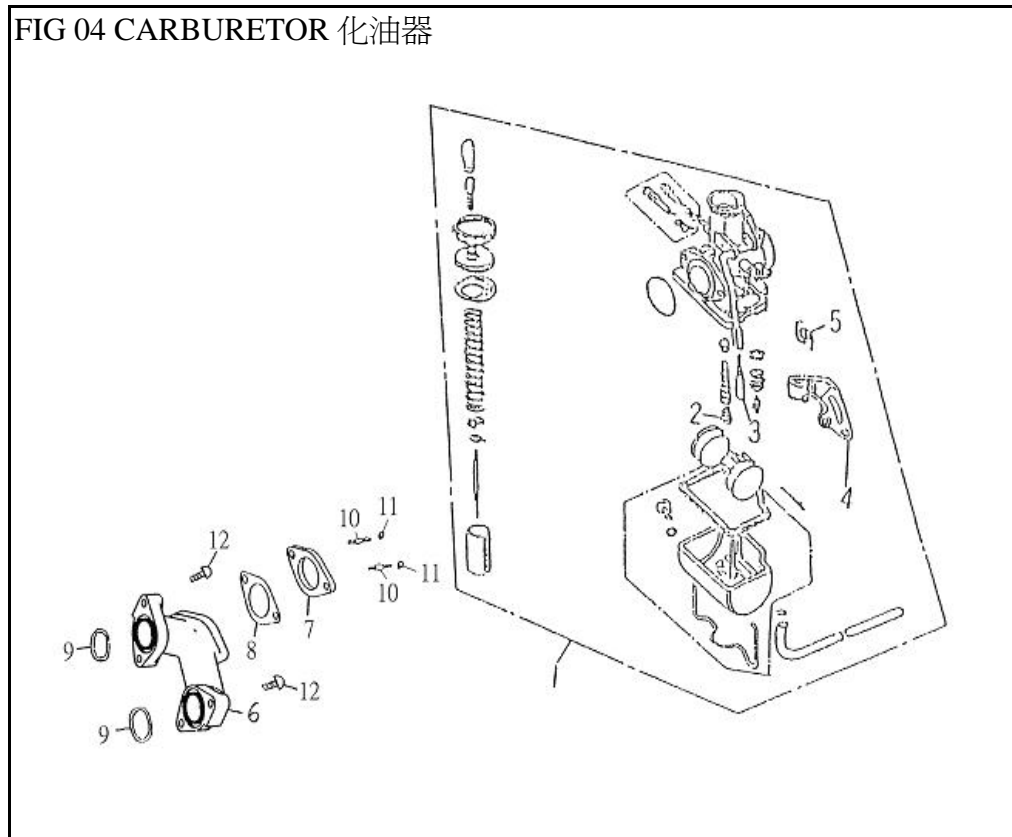
[MENU PAGE](#)

[PAGE UP](#)

[PAGE DOWN](#)

[INDEX](#)

FIG 04 CARBURETOR 化油器



NO	PARTS NO.	PARTS NAME	QTY
1	13201-RAM-01	CARBURETOR ASS'Y	1
2	13240-RAM-01	JET, MAIN #102	1
3	13242-RAM-00	JET, SLOW #35	1
4	13276-RAM-00	HOLDER, CHOKE CABLE	1
5	13278-RAM-00	SPRING, TORSION	1
6	13555-QUA-00	INSULATOR, CARB COMPL	1
7	13620-CBT-00	INSULATOR,CARB COMP	1
8	13621-CBT-00	CARB, INSULATOR GASKET	1
9	93210-24262	O-RING 2.4*26.2	2
10	94717-06035-B	BOLT, STUD 6*37	2
11	95401-061006-B	NUT, FLANGE	2
12	96310-06025-B	SCREW, PAN HEAD 6*25	4

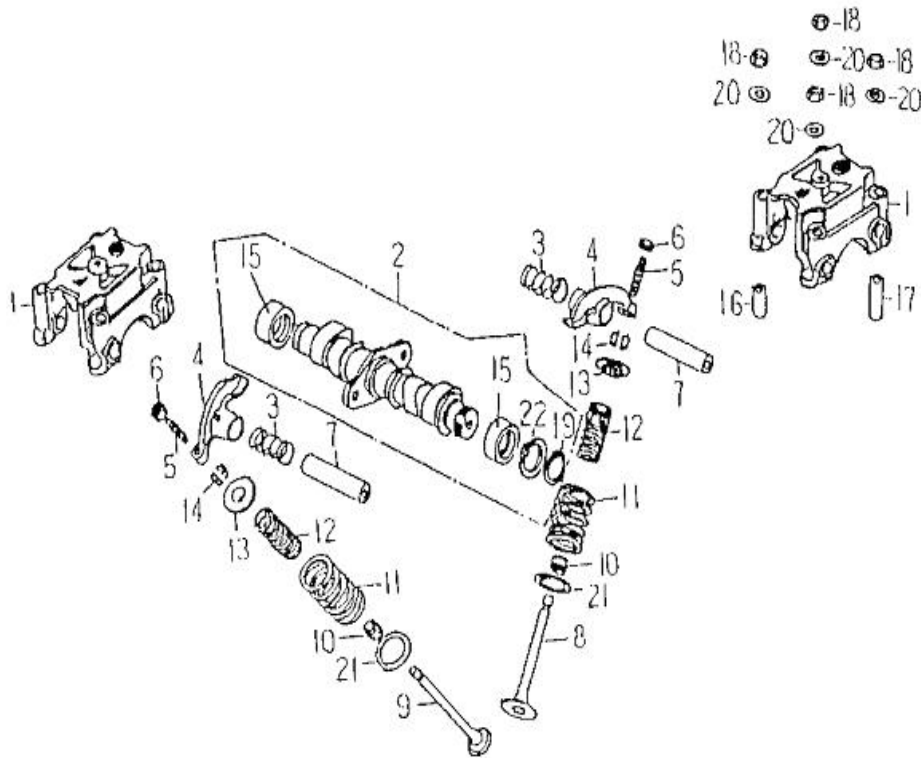
[MENU PAGE](#)

[PAGE UP](#)

[PAGE DOWN](#)

[INDEX](#)

FIG 05 VALVE 閥門



NO	PARTS NO.	PARTS NAME	QTY
1	11131-CBT-00	HOLDER, CAMSHAFT	2
2	14110-CBT-00	CAMSHAFT COMP	1
3	14150-CBT-00	SETTING SPRING, ROCKER ARM	2
4	14431-CBT-00	ARM, VALVE ROCKER	4
5	14436-CBT-00	SCREW, TAPPET ADJUSTING	4
6	14437-CBT-00	NUT, TAPPET ADJUSTING	4
7	14450-CBT-00	ROCKER ARM	2
8	14711-CBT-00	VALVE, IN	2
9	14721-CBT-00	VALVE, EX	2
10	14731-CBT-00	SEAL, VALVE STEM	4
11	14751-CBT-00	SEAL, VALVE OUTER	2
12	14761-CBT-00	SEAL, VALVE INNER	2
13	14771-CBT-00	RETAINER, VALVE SPRING	2
14	14781-CBT-00	COTTER, VALVE	4
15	93510-202813	SHEATH, CAMSHAFT	2
16	94410-10016	PIN, DOWEL 10*16	2
17	94410-10028	PIN, DOWEL 10*28	2
18	95201-081307-B	BOLT, HEXAGON	8
19	97010-20010-K	CIRCLIP 20 MM	1
20	97201-081822-B	WASHER, COPPER 8*5*18*2.2	8
21	97201-182610	SEAT, VALVE SPRING OUTER	4
22	97201-202719	WASHER, CAMSHAFT	1

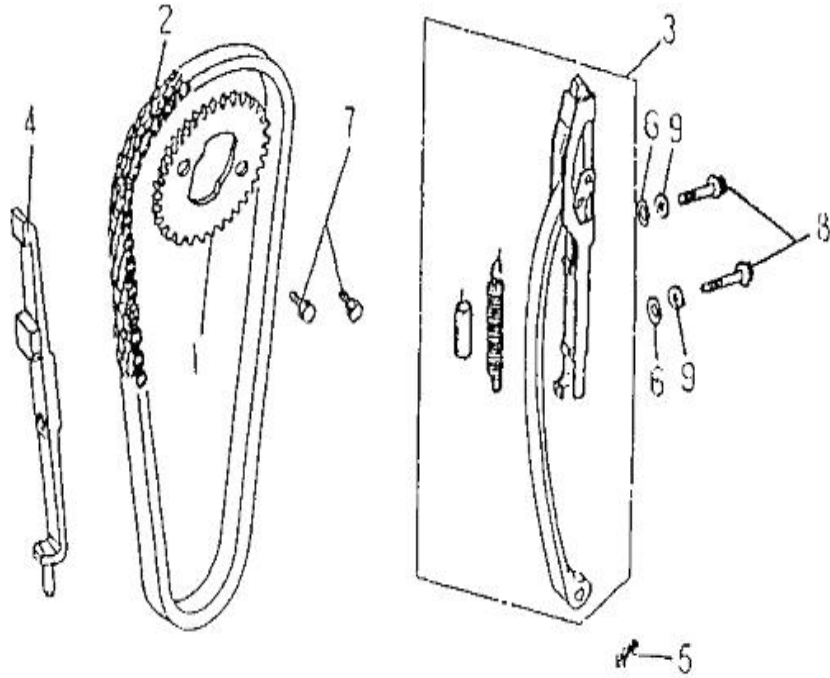
[MENU PAGE](#)

[PAGE UP ▲](#)

[PAGE DOWN ▼](#)

[INDEX](#)

FIG 06 CAM CHAIN TENSIONER 內鏈條.拉力桿



NO	PARTS NO.	PARTS NAME	QTY
1	14111-CBT-00	SPROCKET, CAMSHAFT	1
2	14501-CBT-00	CHAIN, CAM	1
3	14510-CBT-00	TENSIONER, CAM CHAIN	1
4	14560-CBT-00	GUIDE COMP, CAM CHAIN	1
5	90230-12008	COTTER PIN	1
6	93210-19058	O-RING 1.9*5.8	2
7	94706-07014-K	BOLT, HEXAGON 7*14	2
8	96414-06025-B	BOLT, FLANGE 6*25	2
9	97230-061312	WASHER, COPPER 6.2*13*1.2	2

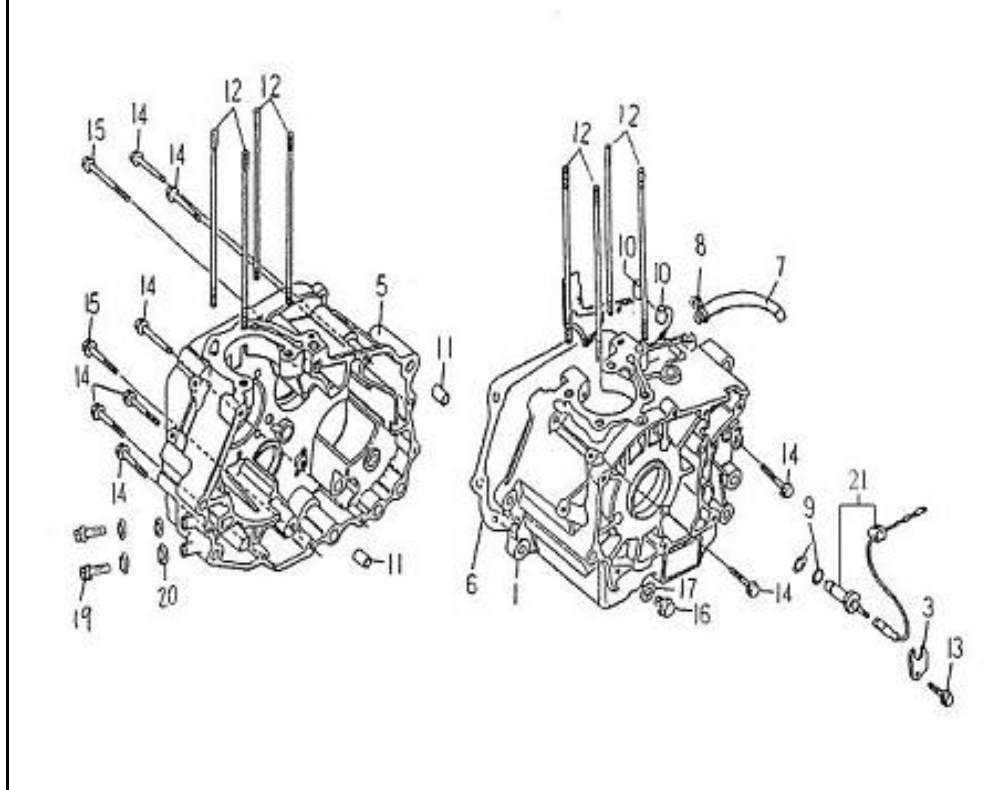
[MENU PAGE](#)

[PAGE UP ▲](#)

[PAGE DOWN ▼](#)

[INDEX](#)

FIG 07 CRANKCASE 曲軸箱



NO	PARTS NO.	PARTS NAME	QTY
1	15111-CBT-00	CRANKCASE, LEFT	1
2	15127-CBT-00	CONTACT, NEUTRAL SWITCH	1
3	15128-CBT-00	CLAMPER, WIRE HARNESS	1
4	15129-CBT-00	CONTACT ASS'Y, NEUTRAL SWITCH	1
5	15211-CBT-00	CRANKCASE, RIGHT	1
6	15251-CBT-00	GASKET, CRANKCASE	1
7	15276-CBT-00	HOSE	1
8	90210-15016-B	CLIP	1
9	93210-16070	O-RING 1.6*7	2
10	94410-08014	PIN, DOWEL 8*14	2
11	94410-12020	PIN, DOWEL 12*20	2
12	94717-08215-B	BOLT, STUD 8*215	8
13	96411-06012-C	BOLT, FLANGE 6*12	1
14	96411-06040-R	BOLT, FLANGE 6*40	8
15	96414-06065-B	BOLT, FLANGE 6*65	2
16	96414-12015-B	BOLT, FLANGE 12*15	1
17	97231-122118	WASHER, ALUMINUM 12.5*20.6*1.8	1
19	94716-12032-G	BOLT, UNION M12*32L	2
20	97231-122020	WASHER, ALUMINUM 12.3*20*2.0	4
21	15126-CBT-00	ASS'Y CONTACT, NEUTRAL SWITCH	1

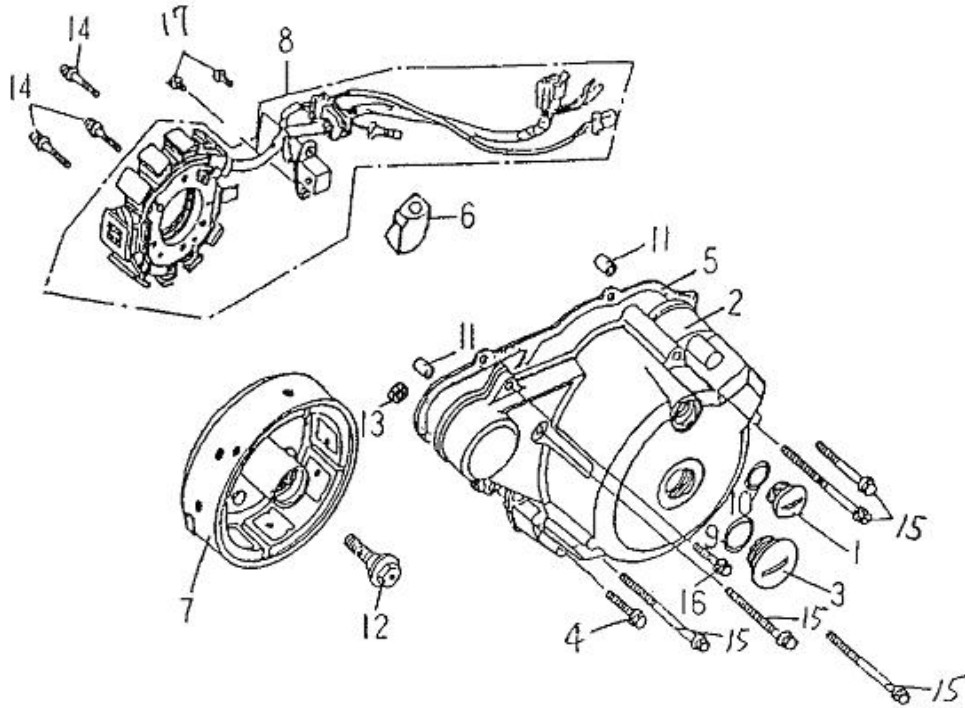
[MENU PAGE](#)

[PAGE UP](#)

[PAGE DOWN](#)

[INDEX](#)

FIG 08 LEFT CRANKCASE COVER 左曲軸箱蓋



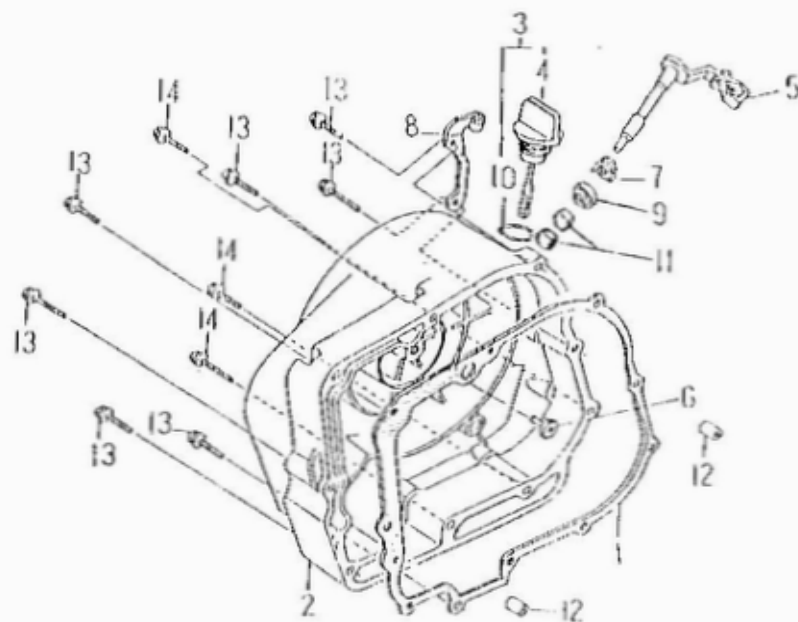
NO	PARTS NO.	PARTS NAME	QTY
1	12655-CBT-00	CAP, A.C.G	1
2	15411-CBT-00	COVER, L CRANKCASE	1
3	15417-CBT-00	CAP, L CRANKCASE COVER	1
4	96411-06050-R	BOLT,FLANGE 6*50	1
5	15481-CBT-00	GASKET, L CRANKCASE COVER	1
6	15541-CBT-00	ENGINE OUTPUT WIRE JACKET	1
7	35550-CBT-00	FLYWHEEL COMP	1
8	35560-CBT-00	STATOR COMP	1
9	93210-24274	O-RING 2.4*27.4	1
10	93210-25138	O-RING 2.5*13.8	1
11	94410-08016	PIN, DOWEL 8*16	2
12	94716-10033-B	BOLT, CRANKSHAFT	1
13	95401-061006-B	NUT, FLANGE	1
14	96312-05028-B	SCREW, PAN HEAD WITH WASHER	3
15	96411-06065-R	BOLT, FLANGE 6*65	5
16	96411-06020-R	BOLT, FLANGE 6*20	1
17	96510-06020-B	BOLT, FLANGE 6*20	2

[MENU PAGE](#)

[PAGE UP ▲](#)

[PAGE DOWN ▼](#)

[INDEX](#)



NO	PARTS NO.	PARTS NAME	Q'TY
1	15221-CBT-00	GASKET, R CRANKCASE COVER	1
2	15511-CBT-00	COVER, R CRANKCASE COMP	1
3	15561-CBT-00	GAUGE ASS'Y, OIL LEVEL	1
4	15563-CBT-00	GAUGE, OIL LEVEL	1
5	25723-CBT-00	LEVER, CLUTCH	1
6	25732-CBT-00	PUSHING PLATE	1
7	25753-CBT-00	SPRING CLUTCH LEVER	1
8	25793-CBT-00	HOLDER, CLUTCH WIRE	1
9	93110-12185	OIL SEAL KC 12*18*5	1
10	93210-35178	O-RING 3.5*17.8	1
11	93310-1216100	BEARING, NEEDLE (HK-121610)	2
12	94410-08014	PIN, DOWEL 8*14	2
13	96411-06040-B	BOLT, FLANGE 6*40	7
14	96411-06050-B	BOLT, FLANGE 6*50	3

FIG.09 RIGHT CRANKCASE COVER 右曲軸箱蓋

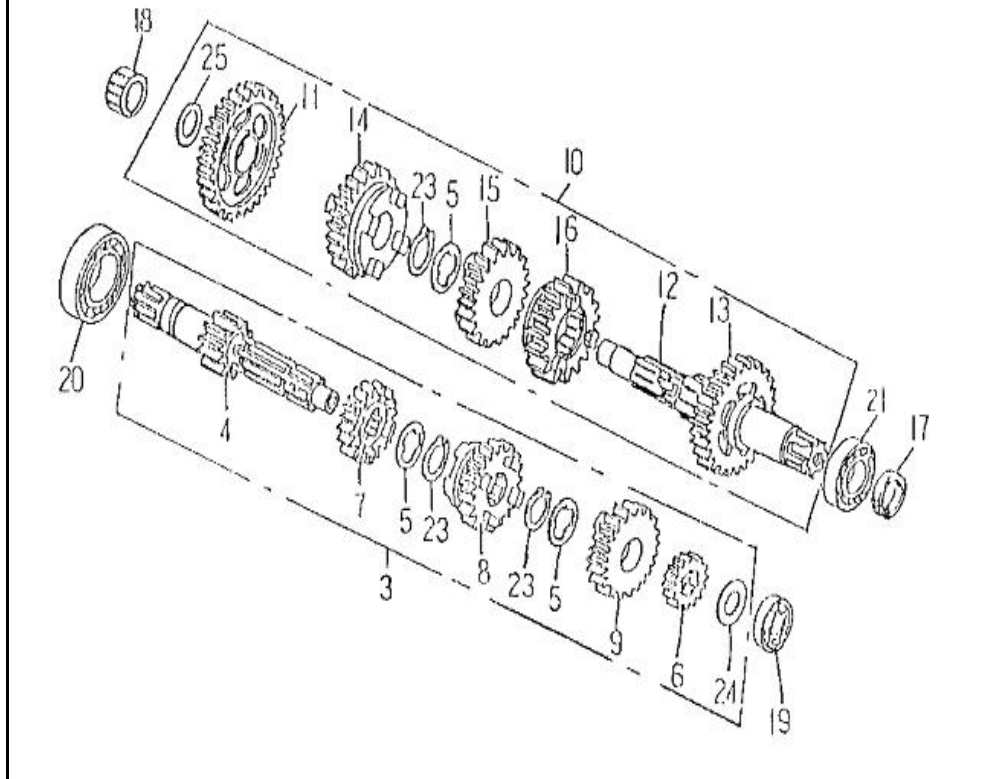
[MENU PAGE](#)

[PAGE UP ▲](#)

[PAGE DOWN ▼](#)

[INDEX](#)

FIG 10 TRANSMISSION STARTER 傳動系統.起動系統



NO	PARTS NO.	PARTS NAME	QTY
3	26100-CBT-00	MAIN SHAFT ASS'Y	1
4	26111-CBT-00	MAIN SHAFT, TRANSMISSION 13T	1
5	26118-CBT-00	WASHER, SPLINE	3
6	26120-CBT-00	GEAR, MAIN SHAFT SECOND 18T	1
7	26130-CBT-00	GEAR, MAIN SHAFT THIRD 21T	1
8	26140-CBT-00	GEAR, MAIN SHAFT FOURTH 24T	1
9	26150-CBT-00	GEAR, MAIN SHAFT FIFTH 23T	1
10	26400-CBT-00	COUNTER SHAFT ASS'Y	1
11	26410-CBT-00	GEAR, COUNTER SHAFT LOW 37T	1
12	26411-CBT-00	COUNTER SHAFT, TRANSMISSION	1
13	26420-CBT-00	GEAR, COUNTER SHAFT SECOND 32T	1
14	26430-CBT-00	GEAR, COUNTER SHAFT THIRD 28T	1
15	26440-CBT-00	GEAR, COUNTER SHAFT FOURTH 26T	1
16	26450-CBT-00	GEAR, COUNTER SHAFT FIFTH 21T	1
17	93110-22347	OIL SEAL TC 22*34*7	1
18	93310-1521120	BEARING, NEEDLE(NK-15/12)	1
19	93310-205215	BEARING, NEEDLE 6304	1
20	93320-153511Z	BEARING, RADIAL BALL 6202Z	1
21	93320-224714B	BEARING, RADIAL 22*47*14-RS	1
23	97014-20012-K	CIRCLIP 20MM	3
24	97201-152510-K	WASHER, THRUST 15.4*24.8*1	1
25	97201-153317	WASHER, THRUST 15.2*32.8*1.7	1

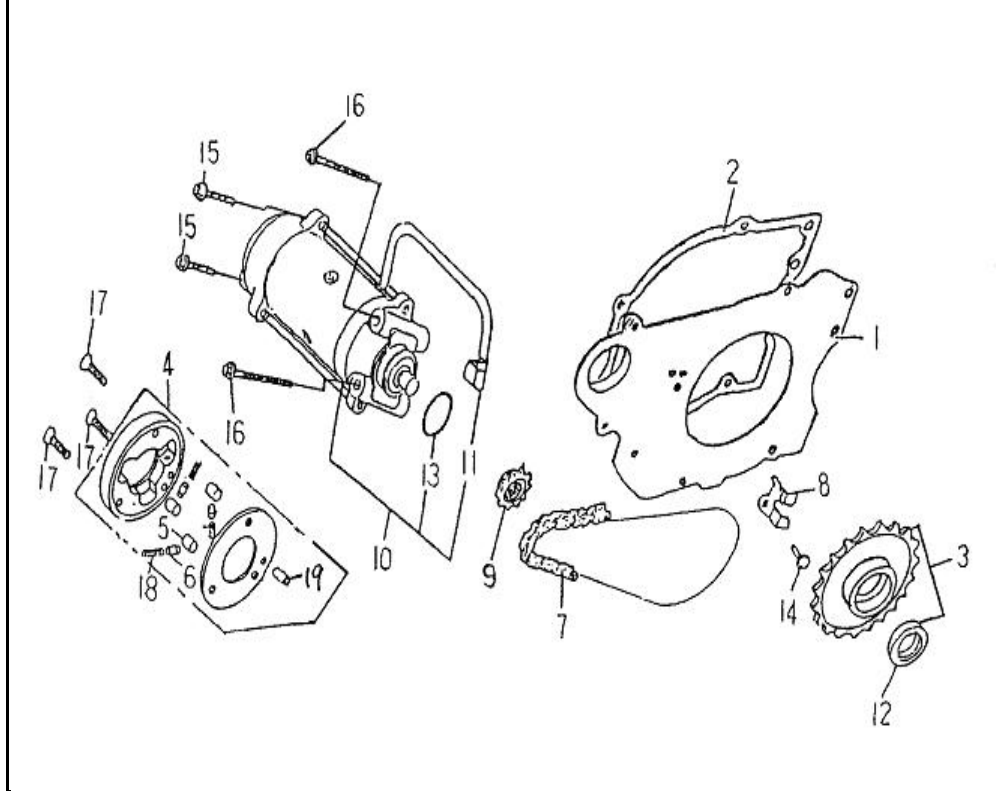
[MENU PAGE](#)

[PAGE UP](#)

[PAGE DOWN](#)

[INDEX](#)

FIG 11 STARTING MOTOR 起動馬達



NO	PARTS NO.	PARTS NAME	QTY
1	15431-CBT-00	CLAPBOARD	1
2	15483-CBT-00	CLAPBOARD GASKET	1
3	23524-CBT-00	GEAR COMP, STARTING CLUTCH 38T	1
4	23570-CBT-00	STARTING CLUTCH ASS'Y	1
5	23576-CBT-00	ROLLER 10*9.5	3
6	23578-CBT-00	CAP, STARTING CLUTCH ROLER SPRING	3
7	23612-CBT-00	MOTOR DRIVE CHAIN	1
8	23632-CBT-00	PALTE, SET GEAR	1
9	23660-CBT-00	MOTOR SPROCKET WHEEL 13T	1
10	35800-CBT-00	MOTOR ASS'Y, STARTER	1
11	35831-CBT-00	CABLE, STARTER MOTOR	1
12	93110-22315	OIL SEAL SC 22*31*5	1
13	93210-18335	O-RING 1.8*33.5	1
14	96411-06012-C	BOLT, FLANGE 6*12	1
15	96411-06025-R	BOLT, FLANGE 6*25	2
16	96411-06065-R	BOLT, FLANGE 6*65	2
17	96510-06016-C	BOLT, FLANGE 6*16	3
18	97501-03029	SPRING, STARTING CLUTCH ROLLER	3
19	94510-60014	PIN,DOWEL 6*14	1

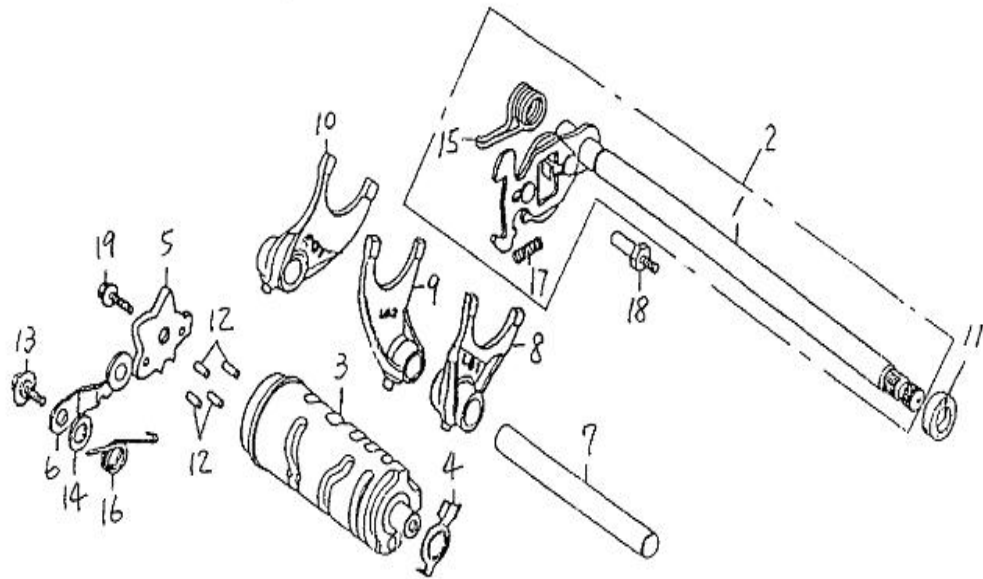
[MENU PAGE](#)

[PAGE UP](#)

[PAGE DOWN](#)

[INDEX](#)

FIG 12 GEAR SHIFT 變速機構



NO	PARTS NO.	PARTS NAME	QTY
1	24201-CBT-00	SPINDLE, GEAR SHIFT	1
2	24210-CBT-00	SPINDLE COMP, GEAR SHIFT	1
3	24220-CBT-00	DRUM, GEAR SHIFT	1
4	24223-CBT-00	POTOR, NEUTRAL SWITCH	1
5	24226-CBT-00	CAM, GEAR SHIFT	1
6	24228-CBT-00	STOPPER COMP, GEAR SHIFT	1
7	24236-CBT-00	SHAFT, GEAR SHIFT FORK	1
8	24237-CBT-00	FORK, L GEAR SHIFT	1
9	24238-CBT-00	FORK, CENTER GEAR SHIFT	1
10	24239-CBT-00	FORK, R GEAR SHIFT	1
11	93110-112410	OIL SEAL TC 11.6*24*10	1
12	94510-40013	PIN, DOWEL 4*13	4
13	96411-06020-C	BOLT, FLANGE 6*20	1
14	97201-061612-K	WASHER, THRUST 6.4*15.8*1.2	2
15	97501-05020	SPRING, GEAR SHIFT PLATE	1
16	97508-23153	SPRING, SHAFT DRUM STOPP	1
17	97510-32179	SPRING, GEAR SHIFT RETURN	1
18	24216-CBT-00	TIP POLE	1
19	94710-06014-K	SCREW	1

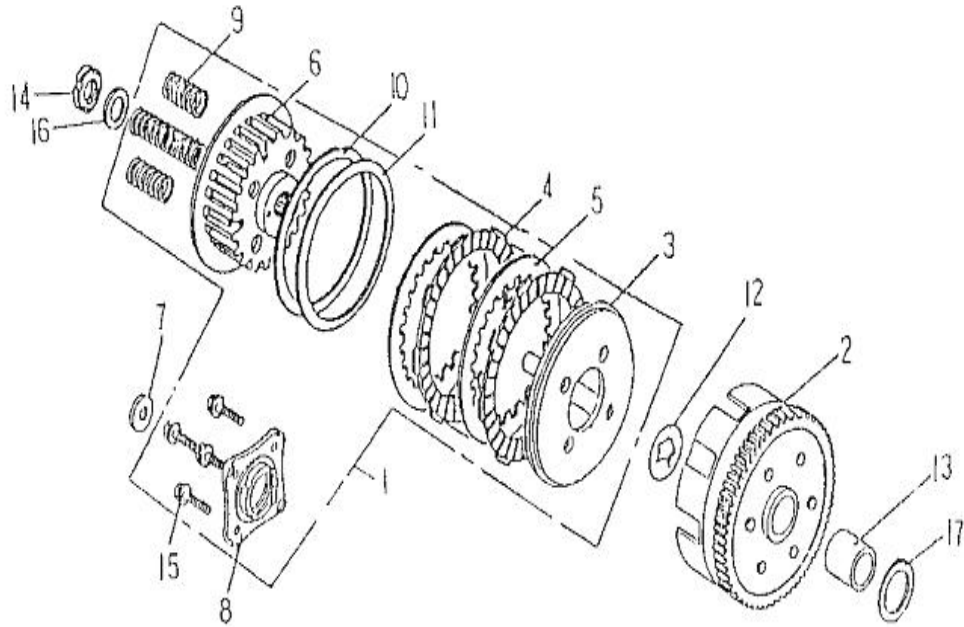
[MENU PAGE](#)

[PAGE UP](#) ▲

[PAGE DOWN](#) ▼

[INDEX](#)

FIG 13 CLUTCH 離合器



NO	PARTS NO.	PARTS NAME	QTY
1	25602-CBT-00	CLUTCH COMP	1
2	25611-CBT-00	OUTER COMP, CLUTCH	1
3	25621-CBT-00	PLATE, CLUTCH PRESSURE	1
4	25622-CHP-00	DISK, CLUTCH FRICITION	6
5	25623-CBT-00	PLATE, CLUTCH PRESSURE	6
6	25661-CBT-00	CENTER, CLUTCH	1
7	25666-CBT-00	BEARING, NEEDLE	1
8	25670-CBT-00	PLATE, CLUTCH LIFTER	1
9	25680-CBT-00	SPRING, CLUTCH	4
10	25684-CBT-00	GASKET	1
11	25686-CBT-00	WASHER	1
12	25688-CHP-00	WASHER, SPLINE	1
13	93510-202618	BEARING, SHEATH	1
14	95601-162808-K	NUT, RING	1
15	96414-06022-B	BOLT, FLANGE 6*22	4
16	97310-162720	WASHER, THRUST 16.5*26.4*2	1
17	97201-203520	WASHER, THRUST 20.2*35*2	1

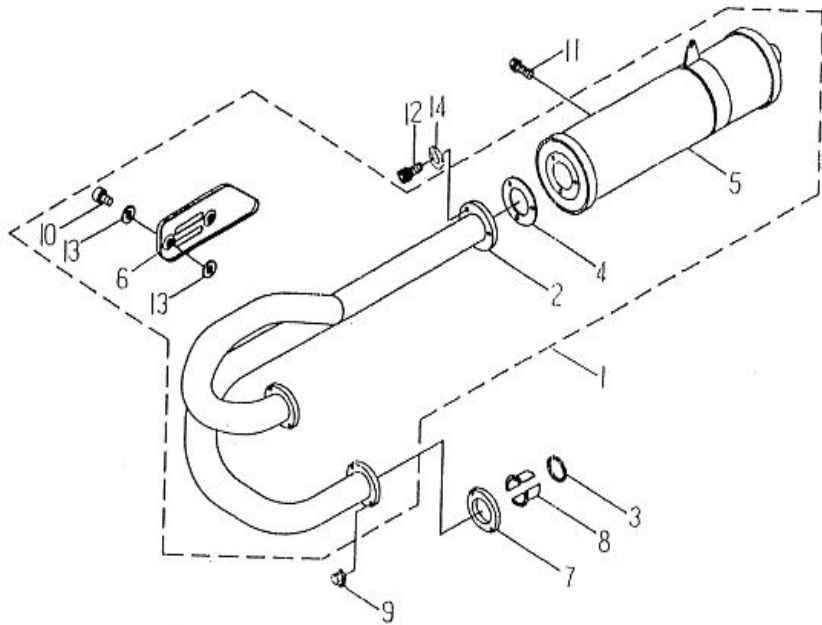
[MENU PAGE](#)

[PAGE UP](#)

[▲ PAGE DOWN ▼](#)

[INDEX](#)

FIG 14 EXHAUST MUFFLER 排氣管



NO	PARTS NO.	PARTS NAME	QTY
1	31610-CBT-03	EXHAUST MUFFLER ASS'Y	1
2	31611-CBT-00	PIPE,EXHAUST	1
3	31613-CHP-00	GASKET,EXHAUST PIPE 31.5*39.5*3.5	2
4	31614-RAM-00	GASKET,MUFFLER	1
5	31617-CBT-03	MUFFLER COMP	1
6	31618-CBT-00	PROTECTOR,EXHAUST	1
7	31621-CBT-00	JOINT,EXHAUST PIPE	2
8	31623-CBT-00	COLLAR,EXHAUST PIPE JOINT	4
9	95401-081208-B	NUT,FLANGE	4
10	96316-06010-K	.SCREW,PAN HEAD	2
11	96414-08016-B	BOLT,FLANGE	1
12	96510-06020-K	BOLT,SOCKET	3
13	97210-061215	WASHER,PLATE	4
14	97301-061115-K	WASHER,SPRING 6.5*11*1.5	3

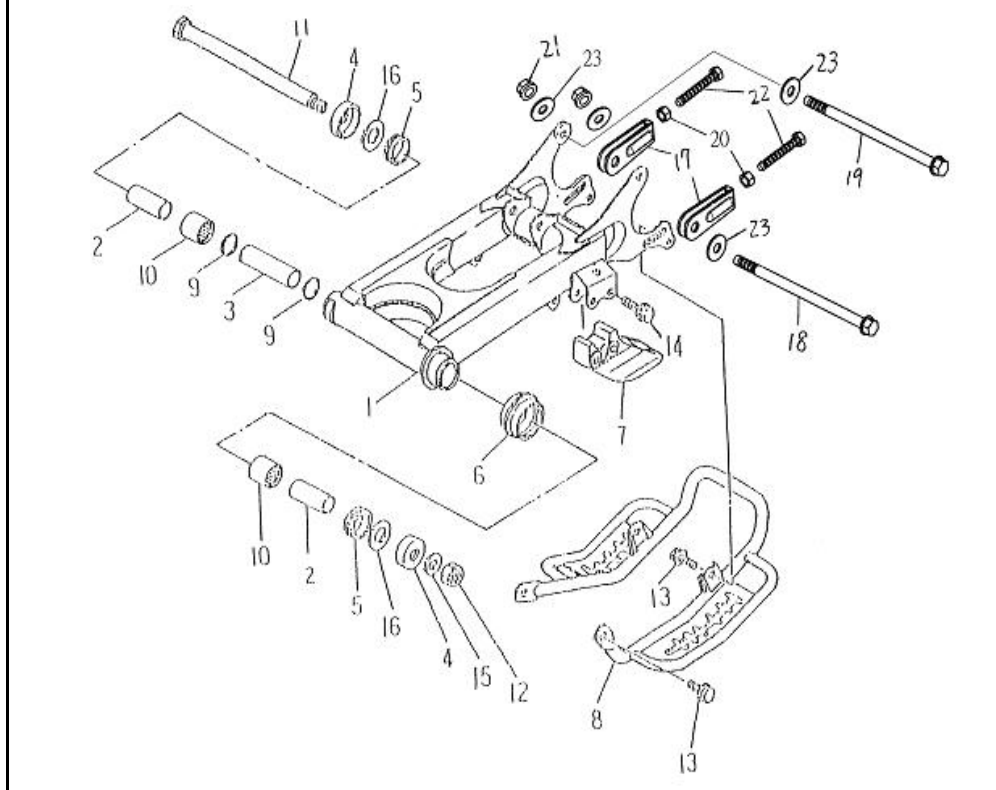
[MENU PAGE](#)

[PAGE UP ▲](#)

[PAGE DOWN ▼](#)

[INDEX](#)

FIG 15 REAR ARM 擺動臂



NO	PARTS NO.	PARTS NAME	QTY
1	32100-RAM-01	REAR ARM	1
2	32115-RAM-00	BUSH	2
3	32116-RAM-00	SPACER	1
4	32118-RAM-00	COVER,THRUST	2
5	32119-RAM-00	OIL SEAL	2
6	32160-RAM-00	SEAL,GUARD	1
7	32165-RAM-00	SUPPORT,CHAIN	1
8	32190-RAM-00	COVER	1
9	93210-25200	O-RING 2.5*20	2
10	93310-222820	BEARING,NEEDLE ROLLER HK-2220	2
11	94610-15258-B	SHAFT,PIVOT	1
12	95301-142212-B	NUT,LOCK 14MM	1
13	96414-08012-B	BOLT,FLANGE	4
14	96414-08040-B	BOLT,FLANGE	2
15	97201-142820-B	WASHER,PLATE 14.2*28.4*2.0	1
16	97201-243820	WASHER,PLATE	2
17	32120-RAM-00	ADJUSTER,CHAIN	2
18	94610-10178-B	BOLT	1
19	94610-10174-B	BOLT	1
20	95201-081207-B	NUT,HEXAGON	2
21	95301-101410-B	NUT,LOCK	2
22	96210-08055-B	BOLT,HEXAGON	2
23	97201-102620-B	WASHER,PLATE 10.3*26*2.0	4

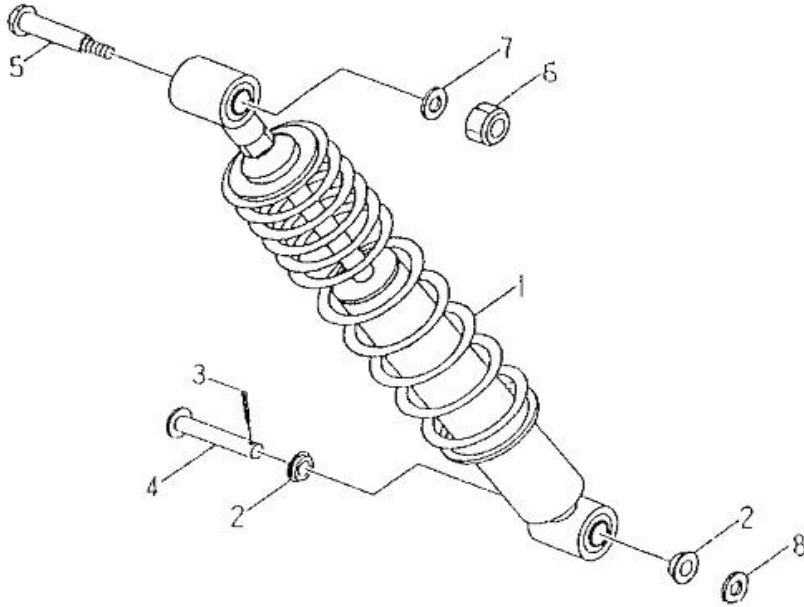
[MENU PAGE](#)

[PAGE UP](#)

[PAGE DOWN](#)

[INDEX](#)

FIG 16 REAR SUSPENSION 後懸吊系統



NO	PARTS NO.	PARTS NAME	QTY
1	32210-CBT-03	SHOCK ABSORBER ASS'Y,REAR	1
2	32231-RAM-00	COVER,THRUST	2
3	90240-29025-B	PIN.COTTER 2.9*25	1
4	94610-12070-B	PIN,CLEVIS	1
5	94710-10066-B	BOLT	1
6	95311-101710-B	NUT,NYLON	1
7	97201-102220-B	WASHER.PLATE 10.5*22*2	1
8	97201-122223-B	WASHER,PLATE 12.5*22*2.3	1

[MENU PAGE](#)

[PAGE UP](#)

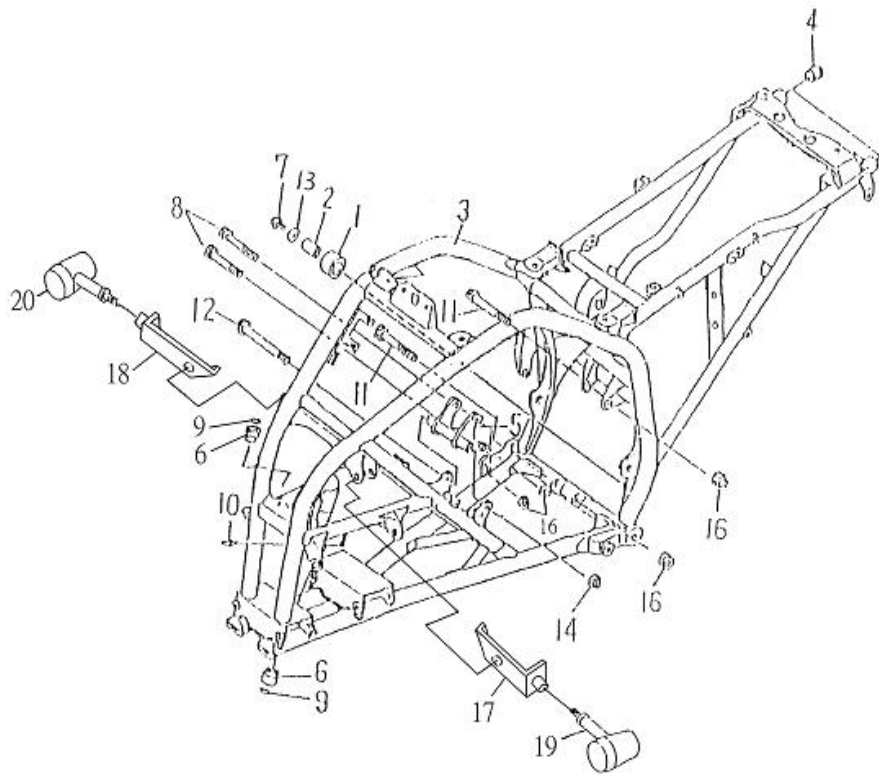


[PAGE DOWN](#)



[INDEX](#)

FIG 17 FRAME 車架



NO	PARTS NO.	PARTS NAME	QTY
1	32167-RAM-00	TENSIONER	2
2	32168-RAM-00	BUSH	2
3	41110-QUA-04	FRAME COMP	1
4	41154-RAM-00	PLUG,SPECIAL SHAPE	2
5	41181-CBT-00	ENGINE HANGER F	1
6	46412-RAM-00	BUSH,SOLID	2
7	96414-08012-B	BOLT,FLANGE	2
8	96414-10070-B	BOLT,FLANGE	2
9	93210-24148	O-RING 2.4*14.8	2
10	94340-06010-B	NIPPLE,GREASE M6*P1.0	1
11	94610-10113-B	BOLT,FLANGE	2
12	94610-12125-B	BOLT,FLANGE	1
13	97201-082420-B	WASHER,PLATE 8.7*24*20	2
14	95311-121912-B	NUT,NYLON	1
16	95401-101409-B	NUT,FLANGE	4
17		WINKER HANGER, L REAR	1
18		WINKER HANGER, R REAR	1
19	55360-RAM-00	WINDER ASS'Y, L FRONT	1
20	55360-RAM-00	WINKER ASS'Y, R FRONT	1

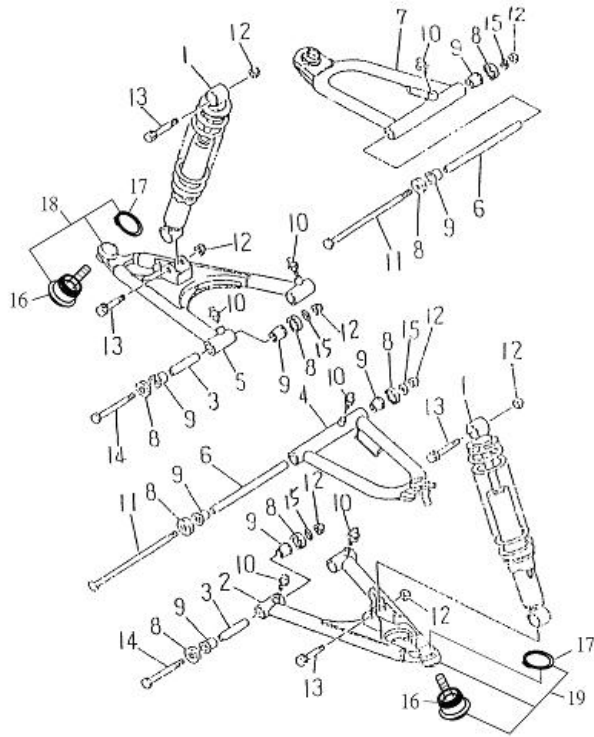
[MENU PAGE](#)

[PAGE UP](#)

[PAGE DOWN](#)

[INDEX](#)

FIG 18 FRONT SUSPENSION 前懸吊系統



NO	PARTS NO.	PARTS NAME	QTY
1	42126-RAM-00	SHOCK ABSORBER ASS'Y	2
2	42161-QUA-01	FRT.LWR,ARM LEFT	1
3	42163-RAM-00	COLLAR	4
4	42166-QUA-00	FRT.UPPER,ARM LEFT	1
5	42171-QUA-01	FRT.LWR,ARM RIGHT	1
6	42173-AAM-00	COLLAR	2
7	42176-QUA-00	FRT.UPPER,ARM RIGHT	1
8	42183-RAM-00	COVER,THRUST	12
9	93330-152118	BUSH,SOLID	12
10	94340-06010-B	NIPPLE,GREASE M6*P1.0	6
11	94610-10208-B	SHAFT,PIVOT	2
12	95311-101710-B	NUT,NYLON	10
13	96414-10055-B	BOLT,FLANGE	4
14R	96414-10080-B	BOLT,FLANGE	2
14F	96414-10085-B	BOLT,FLANGE	2
15	97201-102020-B	WASHER,PLATE 10.5*20*2	2
16	42165-QUA-00	LOWER UNIVERSAL JOINT	2
17	97010-30015-K	CIRCLIP ϕ 30	2
18	42161-QUA-01	FRT.LWR,ARM LEFT ASS'Y	1
19	42171-QUA-01	FRT.LWR,ARM RIGHT ASS'Y	1

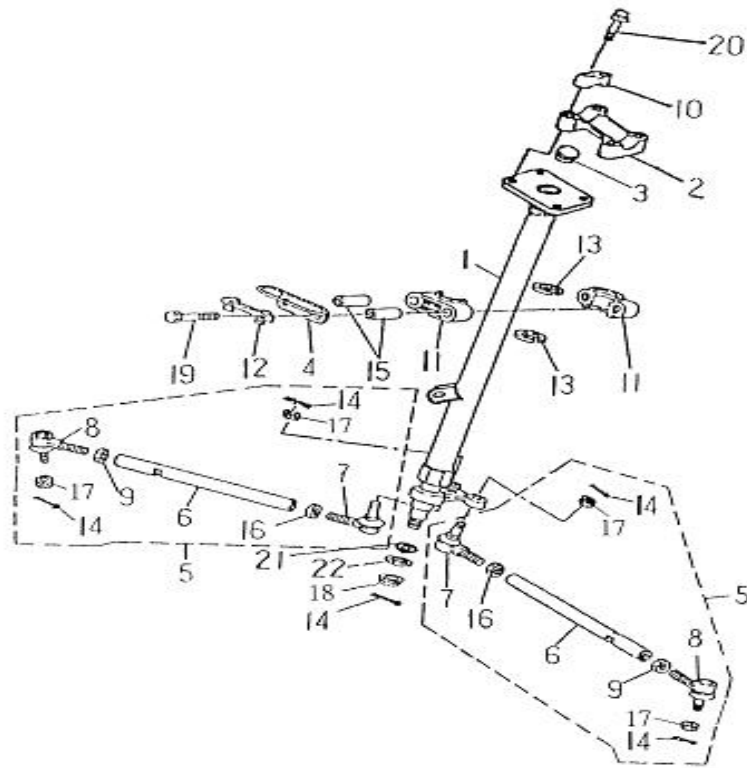
[MENU PAGE](#)

[PAGE UP](#)

[PAGE DOWN](#)

[INDEX](#)

FIG 19 STEERING 轉向裝置



NO	PARTS NO.	PARTS NAME	Q'TY
1	42101-RAM-02	COLUMN,STEERING	1
2	42106-SK9-00	BRIDGE, TOP	1
3	42111-RAM-00	PLUG, TAPER	1
4	42118-RAM-00	BRACKER, STRG LOWER	1
5	42140-RAM-00	ROD, TIE ASS'Y	2
6	42141-RAM-00	ROD, TIE	2
7	42142-RAM-00	JOINT, UNIVERSAL 1	2
8	42143-RAM-00	JOINT, UNIVERSAL 2	2
9	42146-RAM-00	NUT	2
10	46125-RAM-00	HOLDER, HANDLE UPR	2
11	46411-RAM-00	BEARING, STEERING	2
12	46416-RAM-00	WASHER, LOCK	1
13	46417-RAM-00	OIL SEAL	2
14	90240-23020-B	PIN, COTTER 2.3*20	5
15	93510-081442-C	COLLAR	2
16	95201-101408-C	NUT, HEXAGON	2
17	95321-101710-C	NUT, CASTLE	4
18	95401-101409-B	NUT, NYLON	1
19	96210-08060-B	BOLT, HEXAGON	2
20	96414-08050-B	BOLT, FLANGE	4
21	97201-102620-B	WASHER, PLATE	1
22	97301-101720-B	WASHER, SPRING	1

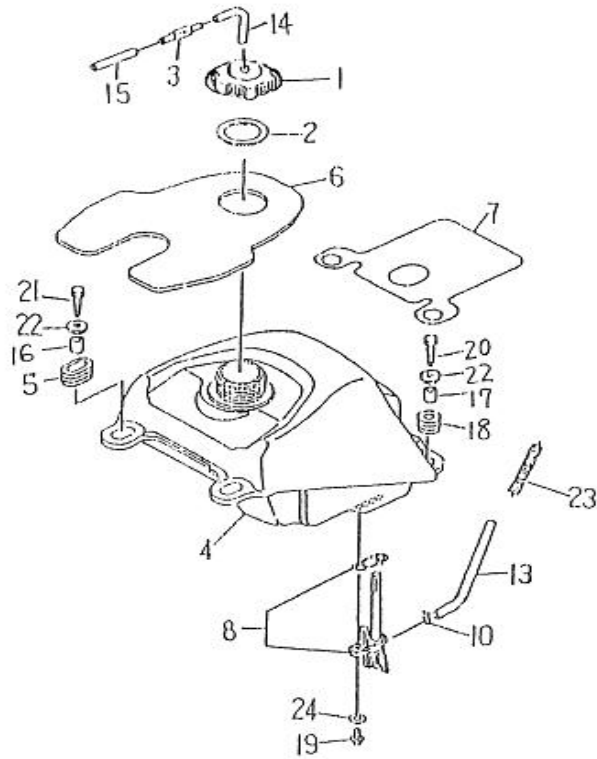
[MENU PAGE](#)

[PAGE UP](#)

[PAGE DOWN](#)

[INDEX](#)

FIG 20 FUEL TANK 油箱



NO	PARTS NO.	PARTS NAME	QTY
1	43102-RAM-00	CAP ASS'Y	1
2	43103-RAM-00	CAP WASHER	1
3	43108-SK5-00	CHECK,VALVE	1
4	43110-CBT-01	FUEL TANK	1
5	43151-RAM-00	GROMMET F	2
6	43153-RAM-00	TRIM,COVER PANEL	1
7	43154-RAM-00	GUARD	1
8	43500-CBT-00	FUEL COCK ASS'Y	1
10	90210-12010	CLIP	2
13	90310-50140	HOSE,FUEL	1
14	90310-50050	HOSE 5*8*50	1
15	90310-50390	HOSE 5.8*390	2
16	93510-061015-B	COLLAR F	2
17	93510-061021-B	COLLAR R	2
18	93580-102416	GROMMET R	2
19	96318-06012-B	SCREW,PAN HEAD	2
20	96414-06025-B	BOLT,FLANGE	2
21	96414-06032-B	BOLT,FLANGE	2
22	97201-062220-B	WASHER,PLATE	4
23	97501-08140-B	SPRING,COMPRESSION	1
24	97210-061315	WASHER,PLATE	2

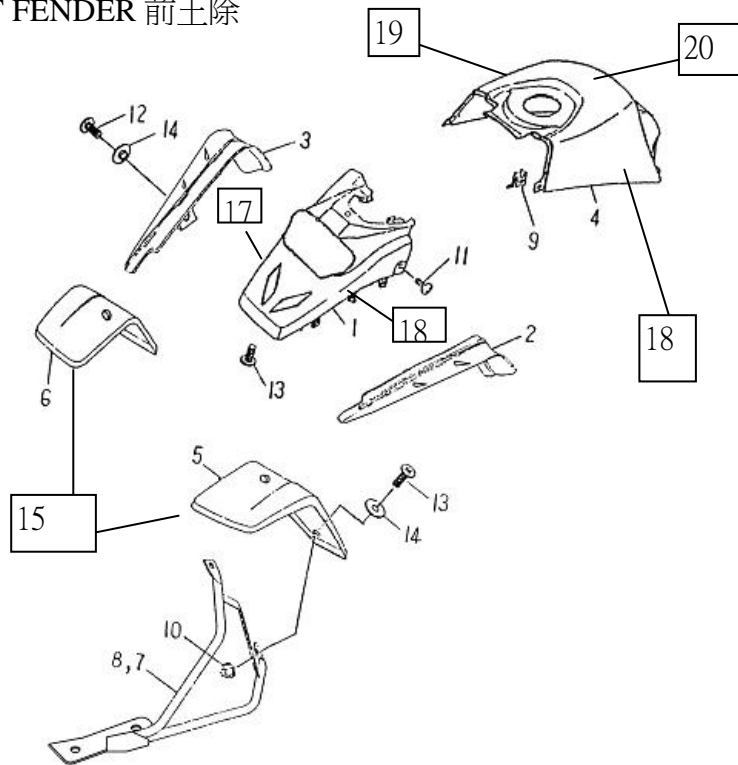
[MENU PAGE](#)

[PAGE UP](#)

[PAGE DOWN](#)

[INDEX](#)

FIG 21 FRONT FENDER 前土除



NO	PARTS NO.	PARTS NAME		QTY
1	51151-AAM-0007	PANEL,FRONT BLACK	noir	1
2	51162-ATG-00	COVER,LEFT TOOL RED	rouge	1
3	51163-ATG-00	COVER,RIGHT TOOL RED	rouge	1
4	51532-RAM-0007	COVER, TOP BLACK	noir	1
5	51552-ATG-00	FENDER,FRONT L RED	rouge	1
6	51553-ATG-00	FENDER,FRONT R RED	rouge	1
7	51554-ATG-00	STAY,FENDER L		1
8	51556-ATG-00	STAY,FENDER R		1
9	95101-05012	NUT,SPRING		2
10	95401-061006-B	NUT,FLANGE		4
11	96112-51216-K	SCREW,TAPPING		2
12	96318-06012-B	SCREW,PAN HEAD		2
13	96318-06015-B	SCREW,PAN HEAD		5
14	97321-061825-B	WASHER,FLANGE		6
15	56812-ATG-00	AUTOC."barossa"		2
16	56313-ATG-00R	AUTOC.AV GAUCHE ROUGE		1
17	56813-ATG-00R	AUTOC.AV DROIT ROUGE		1
18	56815-ATG-00R	AUTOC.LATERAL G ROUGE		1
19	56816-ATG-00R	AUTOC.LATERAL D ROUGE		1
20	56819-ATG-00	AUTOC"barossa motors"		1

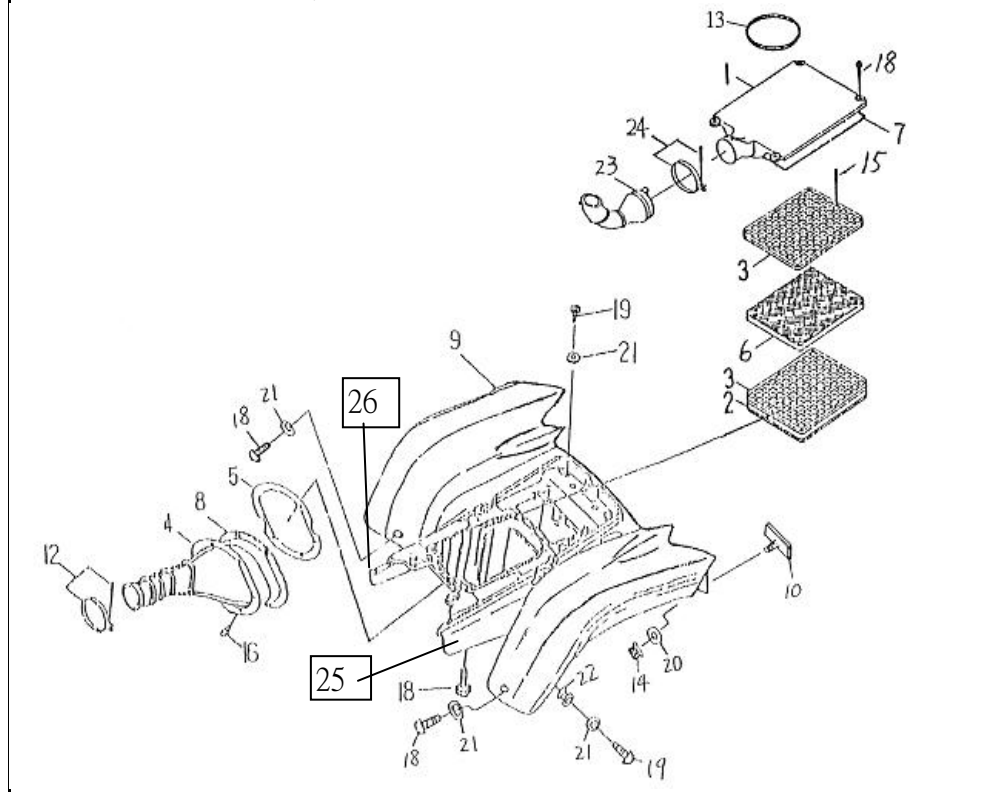
[MENU PAGE](#)

[PAGE UP](#)

[PAGE DOWN](#)

[INDEX](#)

FIG 22 SIDE COVER 側蓋



NO	PARTS NO.	PARTS NAME	QTY
1	13412-CBT-00	CAP,CLEANER CASE	1
2	13432-RAM-00	SEAL,ELEMENT	1
3	13433-CBT-00	PLATE,ELEMENT SET	2
4	13434-RAM-00	PLATE,JOINT	1
5	13435-RAM-00	STAY,JOINT	1
6	13451-RAM-00	ELEMENT,AIR CLEANER	1
7	13452-RAM-00	SEAL,AIR CLEANER COVER	1
8	13453-RAM-00	TUBE,AIR CLEANER JOINT	1
9	51171-QUA-0007	COVER,SIDE BLACK	noir 1
10	55722-SAF-00	REFLECTOR	2
12	90260-80047	CLAMP,HOSE	1
13	93210-35900	O-RING	1
14	95401-061006-B	NUT,FLANGE	2
15	96110-43018-K	SCREW,TAPPING	8
16	96310-05014-B	SCREW,PAN HEAD	6
17	96313-06020-K	SCREW,PAN HEAD WITH WASHER	4
18	96318-06012-B	SCREW,PAN HEAD	1
19	96318-06015-B	SCREW,PAN HEAD	8
20	97301-061215-B	WASHER,SPRING 6*11.5*1.5	2
21	97321-061825-B	WASHER,FLANGE	8
22	93580-81610	GROMMET	2
23	13437-CBT-00	GROMMET	1
24	90260-80057	CLAMP,HOSE	1
25	56817-ATG-00R	AUTOC.LATERAL G ROUGE	1
26	26818-ATG-00R	AUTOC.LATERAL D ROUGE	1

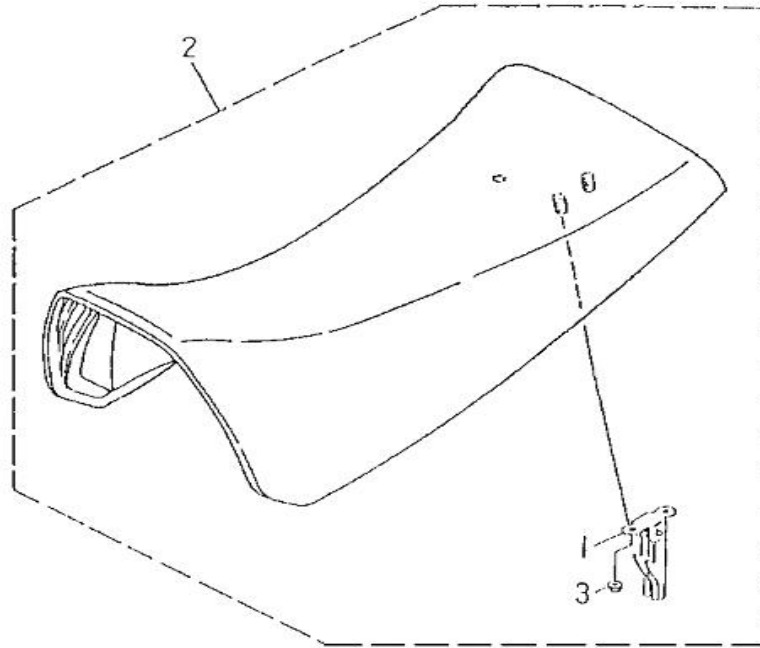
[MENU PAGE](#)

[PAGE UP](#)

[PAGE DOWN](#)

[INDEX](#)

FIG 23 SEAT 座墊



NO	PARTS NO.	PARTS NAME	QTY
1	52710-RAM-00	CATCH COMP,SEAT	1
2	52730-CBT-04	SINGLE SEAT ASS'Y-BAROSSA RED r	1
3	95401-061006-C	NUT,FLANGE	2

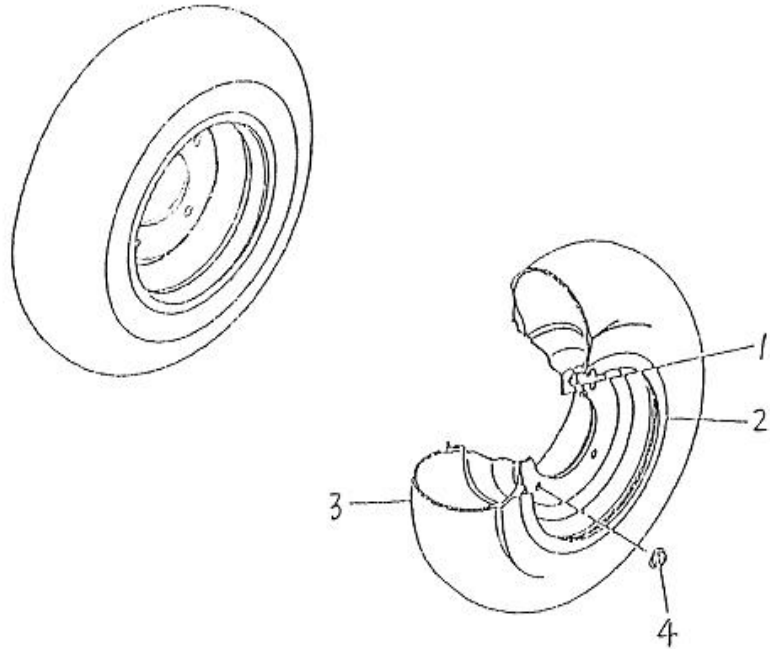
MENU PAGE

PAGE UP ▲

PAGE DOWN ▼

INDEX

FIG 24 FRONT WHEEL 前輪



NO	PARTS NO.	PARTS NAME	QTY
1	42570-RAM-00	VALVE,RIM	2
2	42582-RAM-00	WHEEL,FRONT 10*5.5AT	2
3	42590-RAM-03	TIRE,FRONT AT21*7-10	2
	42711-182-00B	PNEU TT HOMOLOGUE	2
4	95401-101409-C	NUT,FLANGE	8

[MENU PAGE](#)

[PAGE UP](#)

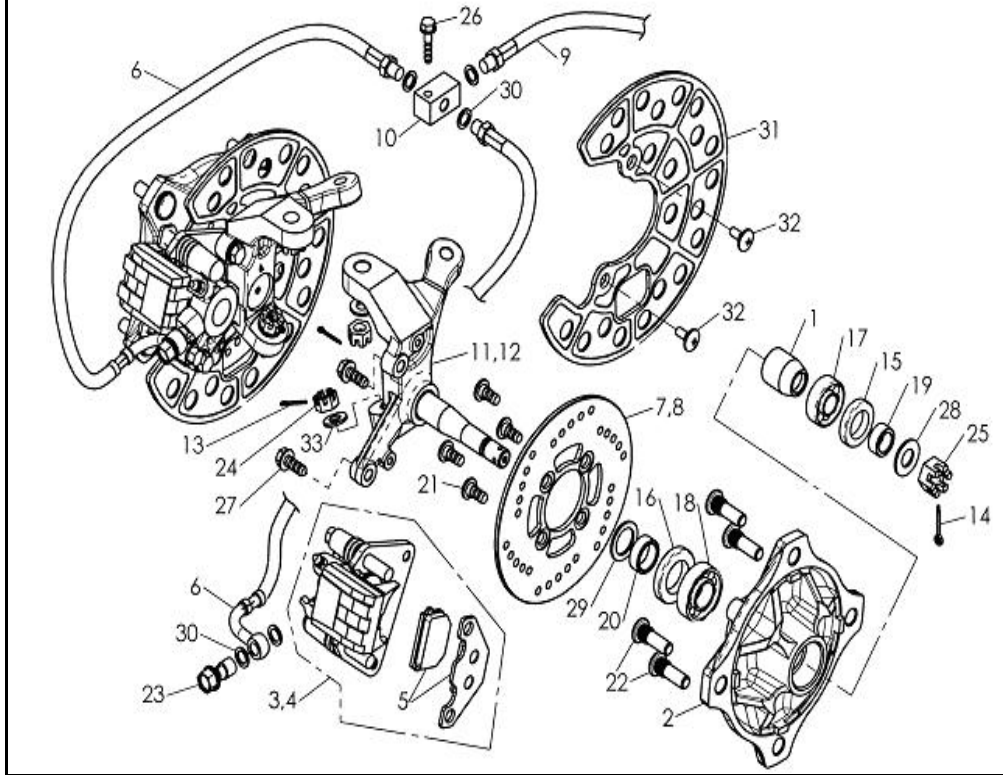


[PAGE DOWN](#)



[INDEX](#)

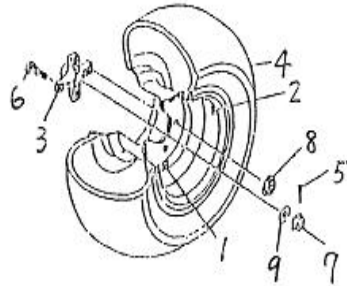
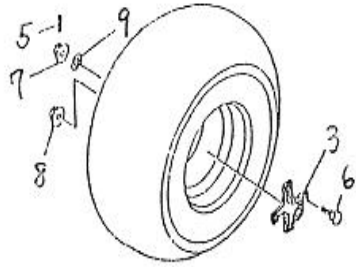
FIG 25 FRONT BRAKE 前剎車系統



[MENU PAGE](#) [PAGE UP](#) [▲ PAGE DOWN ▼](#) [INDEX](#)

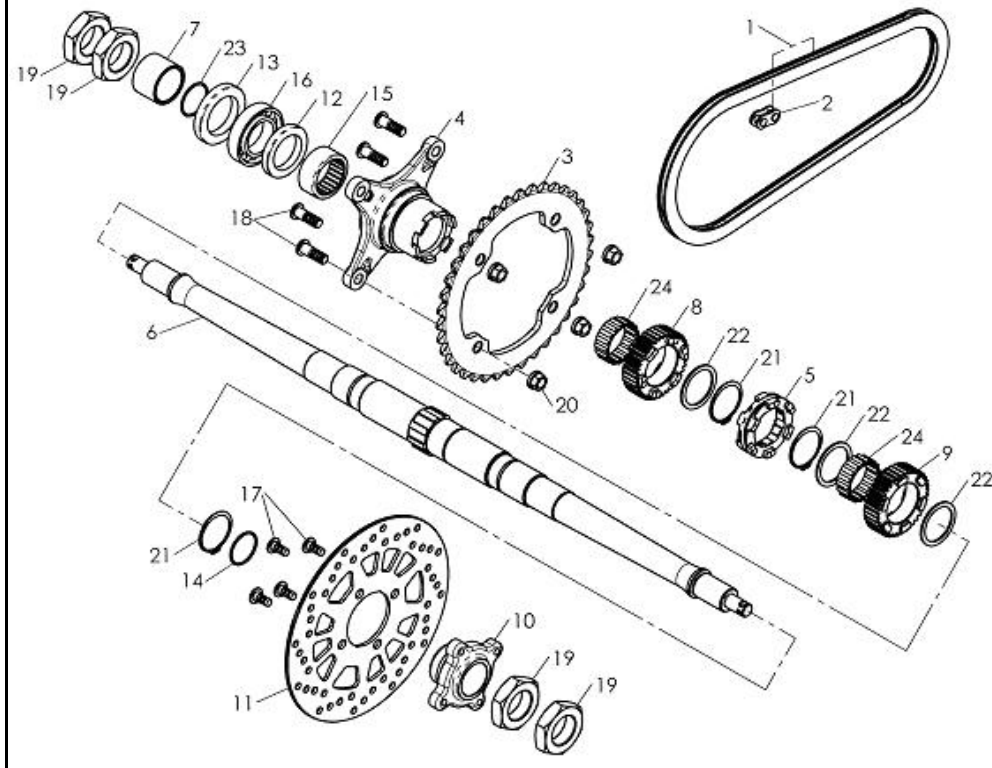
NO	PARTS NO.	PARTS NAME	QTY
1	42515-QUA-00	COLLAR	2
2	42581-QUA-00	HUB,FRONT	2
3	45510-QUA-00	LEFT FRONT CALIPER ASS'Y	1
4	45520-QUA-00	RIGHT FRONT CALIPER ASS'Y	1
5	45512-QUA-00	PAD,CALIPER	2
6	45533-QUA-00	THREE WAY HOSE,BRAKE	1
7	45514-QUA-00	LEFT FRONT BRAKE DISC	1
8	45515-QUA-00	RIGHT FRONT BRAKE DISC	1
11	45860-QUA-00	KNUCKLE,STEERING L ASS'Y	1
12	45865-QUA-00	KNUCKLE,STEERING R ASS'Y	1
13	90240-23020-B	PIN,COTTER 2.3*20	4
14	90240-29025-B	PIN,COTTER 2.9*25	2
15	93110-22357	OIL SEAL SD22357	2
16	93110-26427	OIL SEAL SD26427	2
17	93320-153511Z	BEARING,RADIAL BALL 6202Z	2
18	93320-204212Z	BEARING,RADIAL BALL 6004Z	2
19	93510-152210-C	COLLAR	2
20	93510-202610-C	COLLAR	2
21	94706-08017-B	BOLT,BUTTON	8
22	94710-10032-C	BOLT,STUD	8
23	94716-10022-G	BOLT,UNION	2
24	95321-101710-C	NUT,CASTLE	4
25	95321-142215-C	NUT,CASTLE	2
26	96414-06020-B	BOLT,FLANGE 6*20	1
27	96414-08020-B	BOLT,FLANGE 8*20	4
28	97201-142820-C	WASHER,PLATE 14*28*2.0	2
29	97201-213020-C	WASHER,PLATE 21*30*2.0	2
30	97230-101512	WASHER,COPPER 10.3*15*1.2	4
31	45516-QUA-00	GUARD,BRAKE DISC	2
32	96315-06016-C	SCREW	4
33	97201-102020-B	WASHER,COPPER 10*20*2.0	2

FIG 26 REAR WHEEL 後輪



NO	PARTS NO.	PARTS NAME	Q'TY
1	42570-RAM-00	VALVE,RIM	2
2	42882-RAM-00	WHEEL,REAR 8*8.0AT	2
3	42885-RAM-00	COLLAR,WHEEL	2
4	42890-RAM-04	TIRE,REAR AT21*10-8	2
	42811-182-00B	PNEU TT HOMOLOGUE	2
5	90240-29025-B	PIN,COTTER 2.9*25	2
6	94710-10032-C	BOLT,STUD	8
7	95326-142114-C	NUT,CASTLE FLANGE	2
8	95401-101409-C	NUT,FLANGE	8
9	97201-143240-C	WASHER,PLATE 14.2*32.5*4.0	2

FIG 27 TRANSMISSION STARTER 傳動系統



NO	PARTS NO.	PARTS NAME	QTY
1	25741-CBT-00	CHAIN 520H*94L	1
2	25742-RAM-00	JOINT,CHAIN	1
3	42812-QUA-02	SPROCKET,DRIVEN 39T	1
4	42821-QUA-00	COLLAR,SPROCKET AXLE	1
5	42834-QUA-00	SLIDE A	1
6	42835-QUA-00	AXLE,WHEEL	1
7	42836-QUA-00	COLLAR,AXLE WHEEL	1
8	42837-QUA-00	GEAR A 40T	1
9	42838-QUA-00	GEAR D 40T	1
10	45830-QUA-00	BRACKET,DISC	1
11	45831-RAM-00	DISC,BRAKE	1
12	93110-38558	OIL SEAL TC38558	1
13	93110-42629	OIL SEAL TC42629	1
14	93210-20320	O-RING 2*32	1
15	93310-384820N	BEARING,RADIAL BALL NK3820	1
16	93320-356214Z	BEARING,RADIAL BALL 6007Z	1
17	94706-08017-B	BOLT,BUTTON 8*17	4
18	94706-10029-B	BOLT,BUTTON 10*29	4
19	95201-325014-C	NUT,HEXAGON	4
20	95301-101410-B	NUT,LOCK	4
21	97010-38018-K	CIRCLIP ϕ 38	3
22	97201-384720-K	WASHER,PLATE 38*47*2.0	3
23	93210-15320	O-RING 1.5*32	1
24	93310-384317K	BEARING,RADIAL BALL K384317	2

[MENU PAGE](#)

[PAGE UP](#)

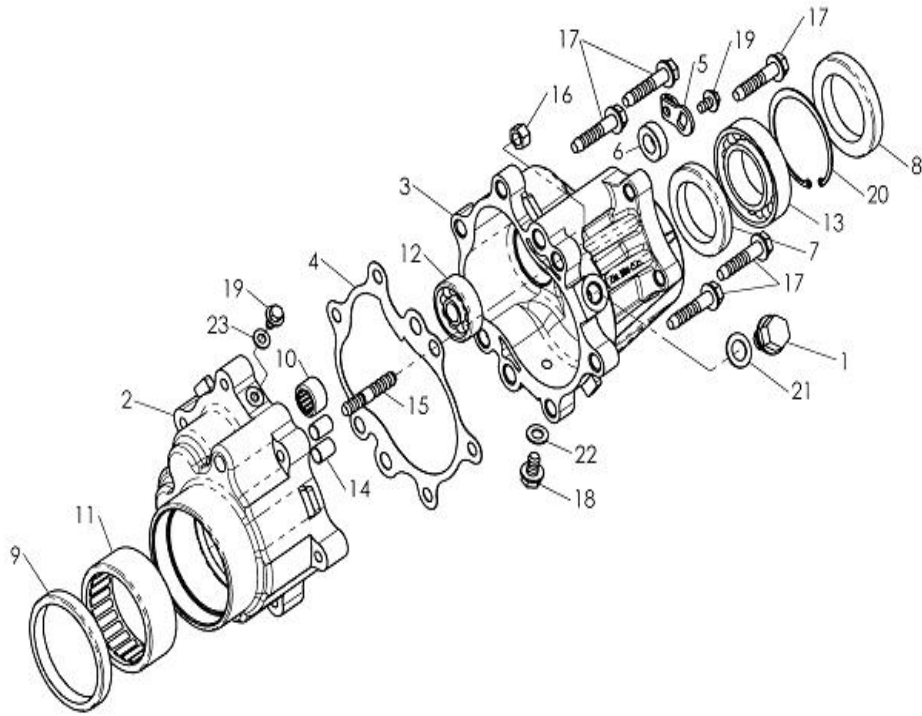


[PAGE DOWN](#)



[INDEX](#)

FIG 28 GEAR CASE 齒輪箱



NO	PARTS NO.	PARTS NAME	QTY
1	15163-QUA-00	BOLT,FLANGE 12*13	1
2	42831-QUA-00	LEFT GEAR CASE	1
3	42832-QUA-00	RIGHT GEAR CASE	1
4	42833-QUA-00	GASKET,GEAR CASE	1
5	42855-QUA-00	ROCKER ARM,REVERSE GEAR SHIF	1
6	93110-12227	OIL SEAL TC12227	1
7	93110-38558	OIL SEAL TC38558	1
8	93110-42629	OIL SEAL TC42629	1
9	93110-62729	OIL SEAL TC62729	1
10	93310-142213RN	BEARING,RADIAL BALL RNA4900	1
11	93310-556825N	BEARING,RADIAL BALL NK5525	1
12	93320-123712A	BEARING,RADIAL BALL 6301A	1
13	93320-356214Z	BEARING,RADIAL BALL 6007Z	1
14	94410-10014	PIN,DOWEL 10*14	2
15	94717-08042-C	BOLT,STUD 8*42	1
16	95201-081207-B	NUT,HEXAGON	1
17	96414-08038-B	BOLT,FLANGE 8*38	5
18	96414-08012-B	BOLT,FLANGE 8*12	1
19	96414-06010-B	BOLT,FLANGE 6*10	2
20	97012-62020-K	CIRCLIP ϕ 62	1
21	97230-122011	WASHER,COPPET 12*22*1.1	1
22	97230-081512	WASHER,COPPET 8*15*1.2	1
23	97230-061212	WASHER,COPPET 6*12*1.2	1

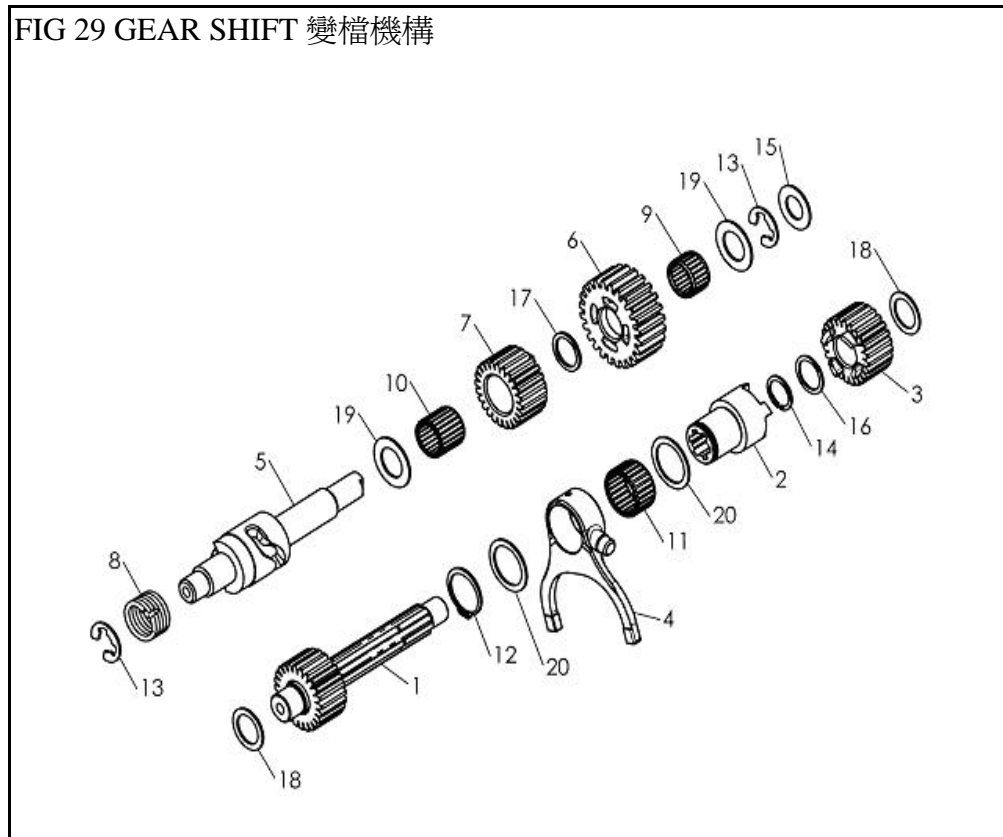
[MENU PAGE](#)

[PAGE UP](#)

[PAGE DOWN](#)

[INDEX](#)

FIG 29 GEAR SHIFT 變檔機構



NO	PARTS NO.	PARTS NAME	QTY
1	42846-QUA-00	COUNTER SHAFT, TRANSMISSION	1
2	42842-QUA-00	SLIDE B	1
3	42844-QUA-00	GEAR B2 17T	1
4	42845-QUA-00	FORK,GEAR SHIFT	1
5	42851-QUA-00	DRUM,REVERSE GEAR SHIFT	1
6	42852-QUA-00	GEAR C 24T	1
7	42853-QUA-00	GEAR B3 17T	1
8	42854-QUA-00	SPRING,RETURN	1
9	93310-151913K	BEARING,RADIAL BALL K151913	1
10	93310-151917K	BEARING,RADIAL BALL K151917	1
11	93310-202413K	BEARING,RADIAL BALL K202413	1
12	97010-20012-K	CIRCLIP ϕ 20	1
13	97011-10010-K	CIRCLIP ϕ 10	2
14	97014-15010-K	CIRCLIP ϕ 15	1
15	97201-122210	WASHER,PLATE 12*22*1.0	1
16	97201-151910-K	WASHER,PLATE 15*19*1.0	1
17	97201-151914-K	WASHER,PLATE 15*19*1.4	1
18	97201-152110-K	WASHER,PLATE 15*21*1.0	2
19	97201-152510-K	WASHER,PLATE 15*25*1.0	2
20	97201-202610-K	WASHER,PLATE 20*26*1.0	2

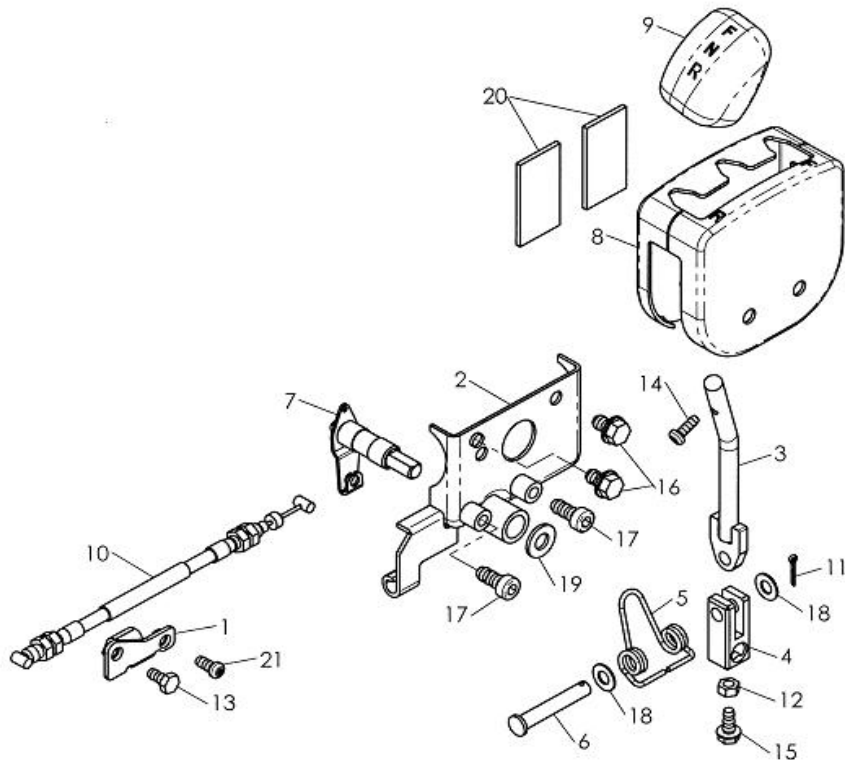
[MENU PAGE](#)

[PAGE UP](#)

[PAGE DOWN](#)

[INDEX](#)

FIG 30 REVERSE GEAR LEVER 手動排檔系統



NO	PARTS NO.	PARTS NAME	QTY
1	42856-QUA-00	PLATE,REVERSE GEAR REAR CABLE	1
2	42861-QUA-00	HOLDER SUPPORTING BRACKET	1
3	42862-QUA-00	REVERSE GEAR LEVER	1
4	42863-QUA-00	HOLDER, REVERSE GEAR LEVER	1
5	42864-QUA-00	SPRING,RETURN	1
6	42865-QUA-00	PIN,LEVER FIXTURE	1
7	42866-QUA-00	GEAR TURNING AXLE	1
8	42868-QUA-00	COVER,REVERSE GEAR LEVER	1
9	42869-QUA-00	LEVER HANDLE ASS'Y	1
10	61210-QUA-00	CABLE,GEAR SHIFT	1
11	90240-18016-B	PIN,COTTER 1.8*16	1
12	95201-061005-B	NUT,FLANGE	1
13	96210-06014-B	BOLT,HEXAGON 6*14	1
14	96310-05014-B	SCREW,PAN HEAD 5*14	1
15	96414-06014-B	BOLT,FLANGE 6*14	1
16	96210-08012-B	BOLT,FLANGE 8*12	2
17	96510-08018-B	BOLT,FLANGE 8*18	2
18	97201-081610-B	WASHER,PLATE 8*16*1.0	2
19	97201-102020-B	WASHER,PLATE 10*20*2.0	1
20	62111-CHP-00	PADDED	1
21	96310-06014-B	SCREW,PAN HEAD 6*14	1

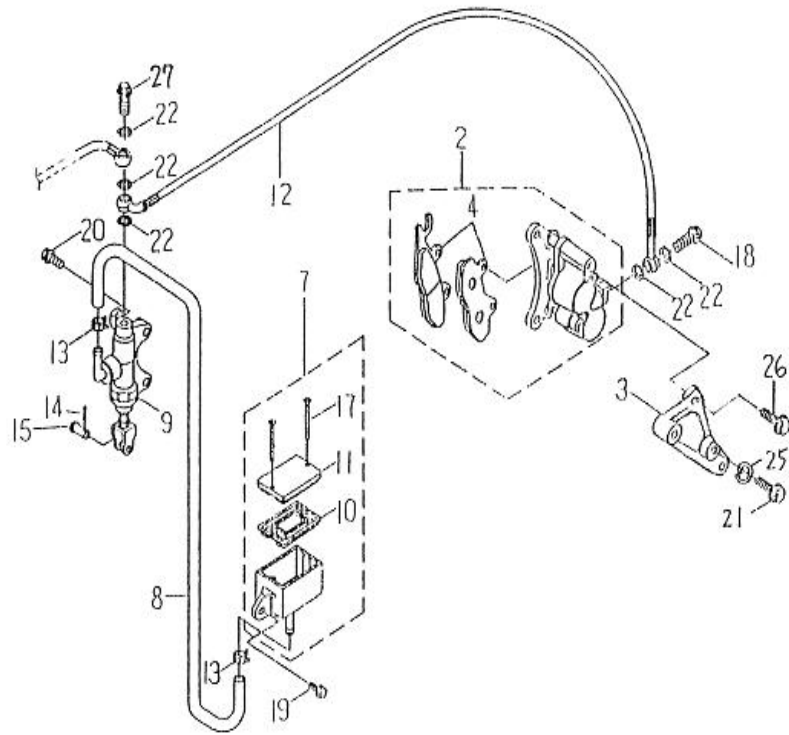
[MENU PAGE](#)

[PAGE UP](#)

[PAGE DOWN](#)

[INDEX](#)

FIG 31 REAR BRAKE 後制車系統



NO	PARTS NO.	PARTS NAME	QTY
2	45801-QUA-00	PARKING BRAKE CALIPER ASS'Y	1
3	45810-QUA-00	BRACKET,CALIPER	1
4	45512-QUA-00	PAD,CALIPER	1
7	45871-RAM-00	RESERVOIR	1
8	45874-RAM-00	HOSE 8*13*400	1
9	45877-RAM-01	CYLINDER KIT,MASTER	1
10	45878-NAF-00	DIAPHRAGM,RESERVOIR	1
11	45879-NAF-00	CAP,RESERVOIR	1
12	61320-RAM-00	HOSE,BRAKE	1
13	90220-80013	CLAMP	2
14	90230-12008	COTTER PIN	1
15	94610-06016-B	PIN,CLEVIS	1
17	94712-04040-K	SCREW,FLAT HEAD	2
18	94716-10022-G	BOLT,UNION	1
19	96414-06016-B	BOLT,FLANGE	1
20	96414-06022-B	BOLT,FLANGE	2
21	96414-08035-B	BOLT,FLANGE	2
22	97230-101512	WASHER,COPPER 10.3*15*1.2	5
25	97301-081420-B	WASHER,SPRING	2
26	96414-10028-B	BOLT,FLANGE	2
27	94716-10033-G	BOLT,UNION	1

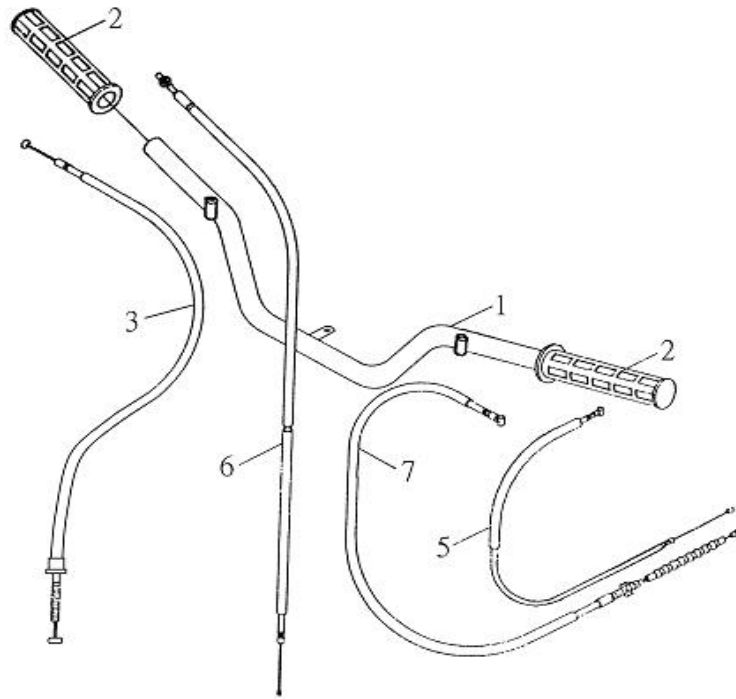
[MENU PAGE](#)

[PAGE UP](#)

[▲ PAGE DOWN ▼](#)

[INDEX](#)

FIG 32 STEERING HANDLE CABLE 轉向把手.鋼索



NO	PARTS NO.	PARTS NAME	QTY
1	46110-RAM-01	HANDLEBAR	1
2	46240-RAM-00	GRIP	2
3	61813-QUA-00	CABLE,PARKING RAKE	1
5	61420-CBT-00	CABLE,CLUTCH	1
6	61620-STG-00	CABLE,THROTTLE	1
7	61720-RAM-00	CABLE,CHOKE	1

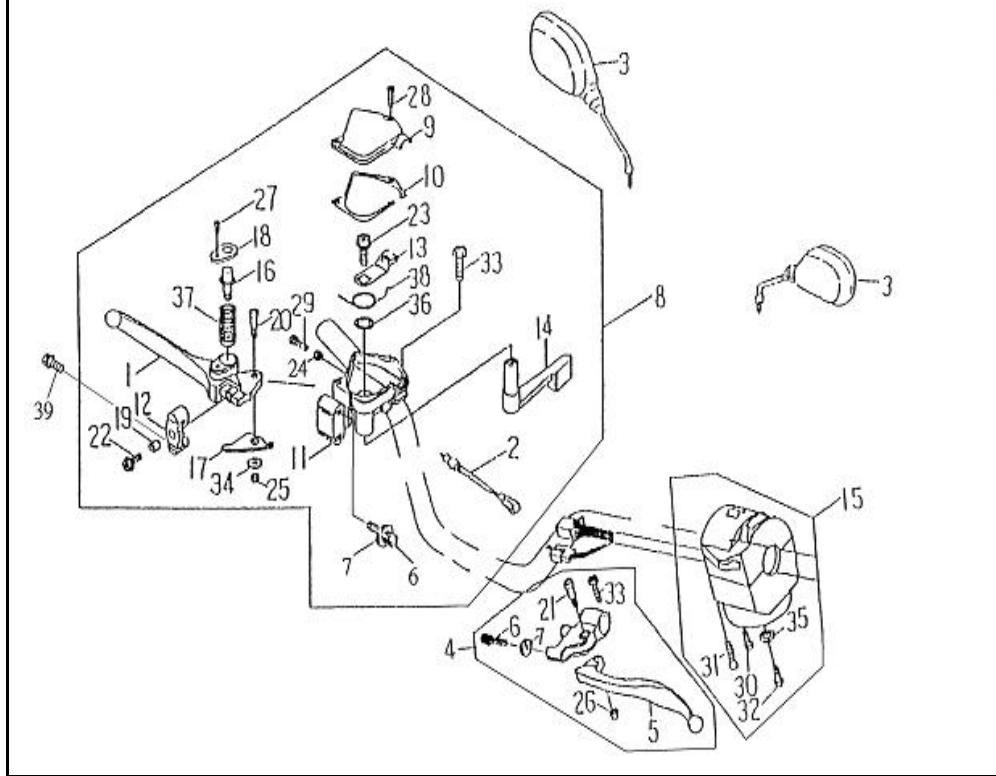
[MENU PAGE](#)

[PAGE UP ▲](#)

[PAGE DOWN ▼](#)

[INDEX](#)

FIG 33 HANDLE SWITCH 把手開關.拉桿



NO	PARTS NO.	PARTS NAME	Q'TY
1	45872-RAM-00	LEVER,R	1
2	45890-RAM-00	WIRING,FR STOP SWITCH	1
3	56270-ROA-00	MIRROR ASS'Y,BACK	1
4	62910-RAM-01	LEVER ASS'Y,HANDLEL	1
5	62912-SK9-01	LEVER,L	1
6	62916-RAM-00	BOLT,WIRE ADJUSTING	2
7	62917-RAM-00	NUT,WIRE ADJUSTING	2
8	62920-RAM-01	THROTTLE LEVER ASS'Y	1
9	62923-RAM-00	CAP,THROTTLE	1
10	62924-RAM-00	GASKET,THROTTLE	1
11	62925-RAM-00	THROTTLE LEVER	1
12	62926-RAM-00	JOINT,CABLE	1
13	62927-RAM-00	ARM,THROTTLE	1
14	62928-RAM-00	LEVER,THROTTLE	1
15	62930-RAM-02	HANDLE SWITCH ASS'Y L	1
16	62971-RAM-00	PIN,LOCK	1
17	62973-RAM-00	LOCK,LEVER	1
18	62976-RAM-00	COVER	1
19	93560-68507	COLLAR,LEVER 6.3*8.5*7.4	1
20	94710-05022-G	BOLT,LEVER	1
21	94710-06029-G	BOLT,LEVER	1
22	94714-06016-G	BOLT	1
23	94714-08012-G	BOLT	1
24	95201-050804-G	NUT,HEXAGON	1
25	95311-050805-K	NUT,NYLON	1
26	95311-061006-K	NUT,NYLON	1
27	96310-03008-B	SCREW,PAN HEAD	1

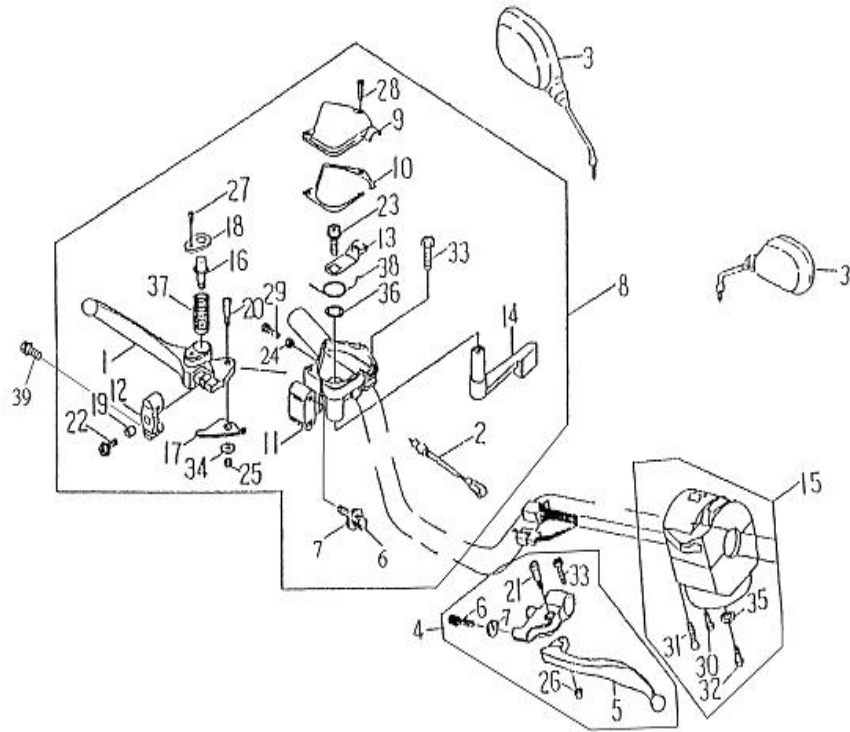
[MENU PAGE](#)

[PAGE UP](#)

[PAGE DOWN](#)

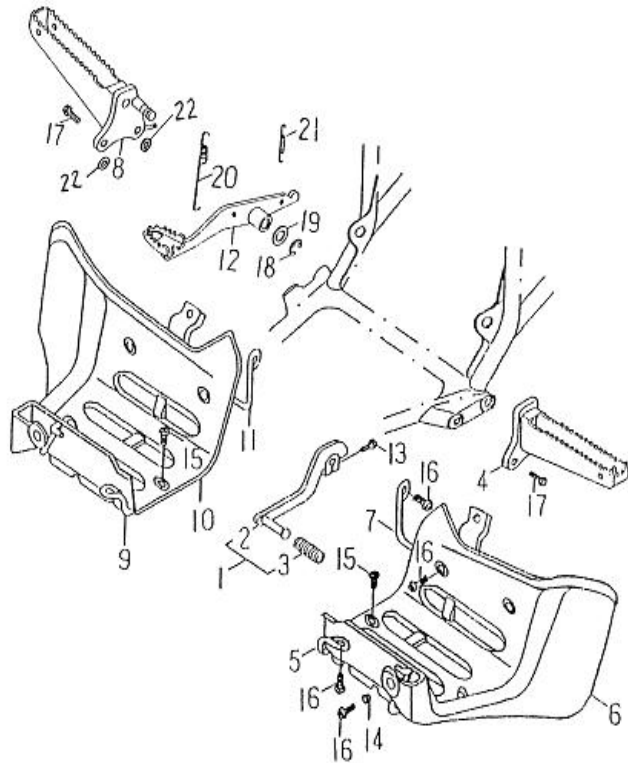
[INDEX](#)

FIG 33 HANDLE SWITCH 把手開關.拉桿



NO	PARTS NO.	PARTS NAME	Q'TY
28	96310-04015-G	SCREW,PAN HEAD	2
29	96310-05015-G	SCREW,PAN HEAD	1
30	96310-05030-G	SCREW,PAN HEAD	1
31	96310-05040-G	SCREW,PAN HEAD	1
32	96310-06010-G	SCREW,PAN HEAD	1
33	96510-06020-G	BOLT	2
34	97201-051516-C	WASHER,PLATE 5.3*15*1.6	1
35	97201-061310-B	WASHER,PLATE 6.5*13*1.0	1
36	97201-142016-C	WASHER,PLATE 14.2*19.7*1.6	1
37	97501-08025-B	SPRING	1
38	97508-10240-B	SPRING	1
39	96414-06012-K	BOLT,FLANGE	1

FIG 34 STAND FOOTREST 腳踏桿



NO	PARTS NO.	PARTS NAME	QTY
1	53210-RAM-00	CHANGER PENDAL ASS'Y	1
2	53211-RAM-00	CHANGER PENDAL	1
3	53214-ROA-00	RUBBER,CHANGE PEDAL	1
4	53231-RAM-00	FOOTREST L	1
5	53233-RAM-00	MUDGUARD STAY L1	1
6	53234-RAM-00	MUDGUARD L	1
7	53236-QUA-00	MUDGUARD STAY L2	1
8	53241-RAM-01	FOOTREST R	1
9	53243-RAM-00	MUDGUARD STAY R1	1
10	53244-RAM-00	MUDGUARD R	1
11	53246-QUA-01	MUDGUARD STAY R2	1
12	53261-CBT-00	PEDAL,BRAKE	1
13	94714-06020-B	BOLT,FLANGE	1
14	95401-061006-B	NUT,FLANGE	1
15	96318-06012-B	SCREW,PAN HEAD	6
16	96318-06015-B	SCREW,PAN HEAD	8
17	96414-10025-B	BOLT,FLANGE	4
18	97011-12010-B	CIRCLIP 12*1.0	1
19	97201-152620-B	WASHER,PLATE 15.2*25.6*2.0	1
20	97506-12140-B	SPRING,TENSION	1
21	97506-14050-B	SPRING,TENSION	1
22	97201-122223-B	WASHER,PLATE 12.2*22*2.3	2

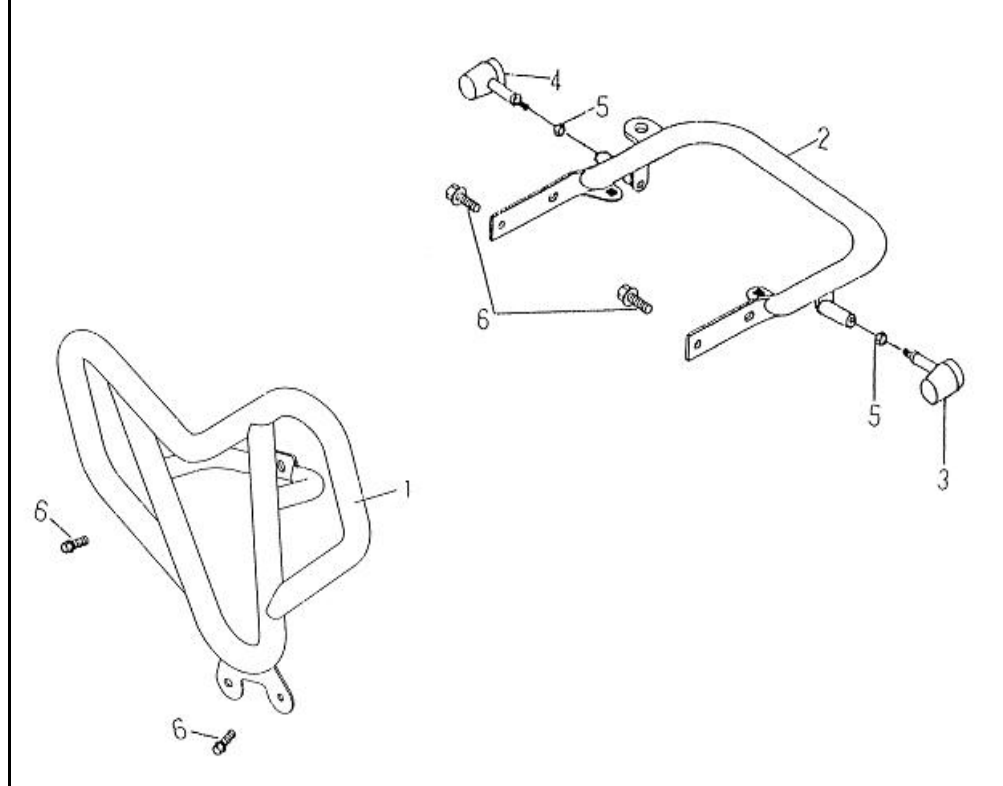
[MENU PAGE](#)

[PAGE UP](#)

[PAGE DOWN](#)

[INDEX](#)

FIG 35 GUARD 保護桿



NO	PARTS NO.	PARTS NAME	QTY
1	41601-QUA-01	SHIELD,FRONT	1
2	52850-RAM-04	SHIELD,REAR	1
3	55750-RAM-00	WINKER ASS'Y,L REAR	1
4	55760-RAM-00	WINKER ASS'Y,R REAR	1
5	95201-101408-B	NUT,HEXAGON	2
6	96414-08016-B	BOLT,FLANGE	7

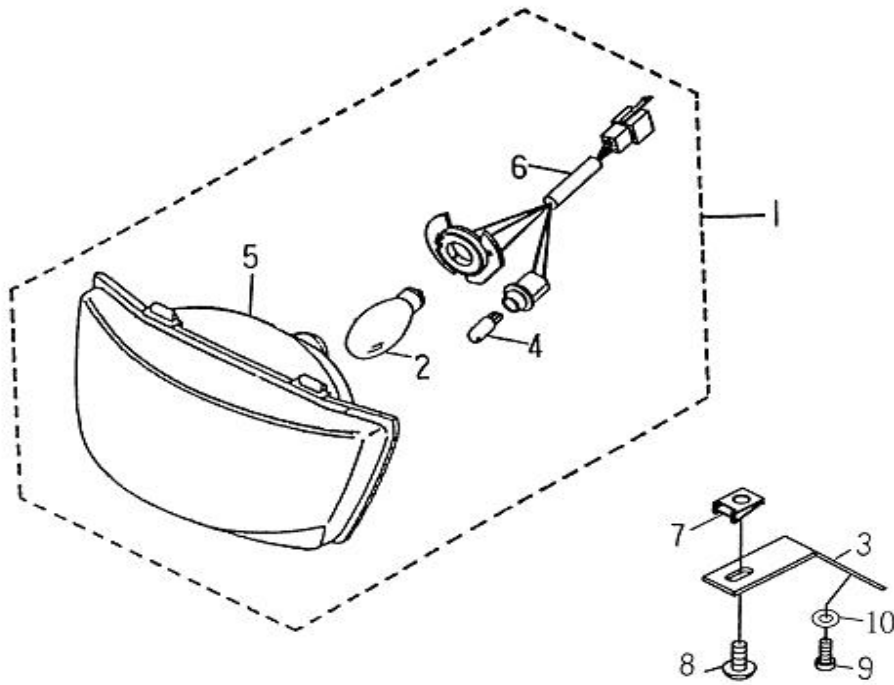
[MENU PAGE](#)

[PAGE UP ▲](#)

[PAGE DOWN ▼](#)

[INDEX](#)

FIG 36 HEAD LIGHT 前燈



NO	PARTS NO.	PARTS NAME	Q'TY
1	55300-STG-00	HEAD LIGHT ASS'Y	1
2	55314-NFF-00	BULB,HEAD LIGHT 12V30/30W	1
3	55315-STG-00	STAY,HEAD LIGHT	1
4	55316-NGF-00	BULB,POSITION LAMP	1
5	55320-STG-00	LENS ASS'Y	1
6	55340-STG-00	SOCKET CORD ASS'Y	1
7	95101-05012	NUT,SPRING	1
8	96112-51616-K	SCREW,TAPPING	1
9	96310-04010-B	SCREW,PAN HEAD	1
10	97201-051410-B	WASHER,PLATE 5*14*1.0	1

[MENU PAGE](#)

[PAGE UP](#)

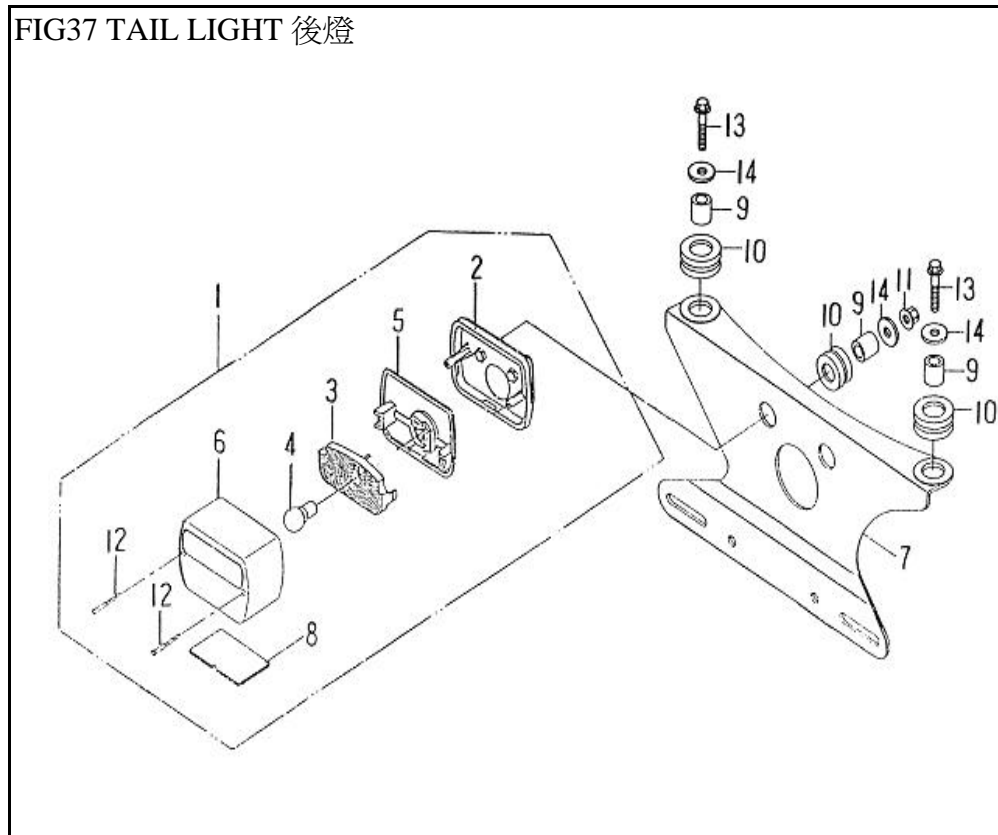


[PAGE DOWN](#)



[INDEX](#)

FIG37 TAIL LIGHT 後燈



NO	PARTS NO.	PARTS NAME	Q'TY
1	55700-CHP-00	TAIL LIGHT ASS'Y	1
2	55701-CHP-00	STAND,TAIL LIGHT	1
3	55713-PAF-00	BULB STAND,TAIL LIGHT	1
4	55714-PAF-00	BULB, TAIL LIGHT	1
5	55715-PAF-00	WASHER	1
6	55721-PAF-00	LENS,TAIL LIGHT	1
7	55726-RAM-00	HOLDER,TAIL LIGHT	1
8	55743-PAF-00	LENS,LICENSE LIGHT	1
9	93510-061010	COLLAR	4
10	93580-102212	GROMMET	4
11	95401-061006-B	NUT,FLANGE	2
12	96112-43818-B	SCREW,TAPPING	2
13	96414-06020-B	BOLT,FLANGE	2
14	97201-061820-B	WASHER,PLATE	4

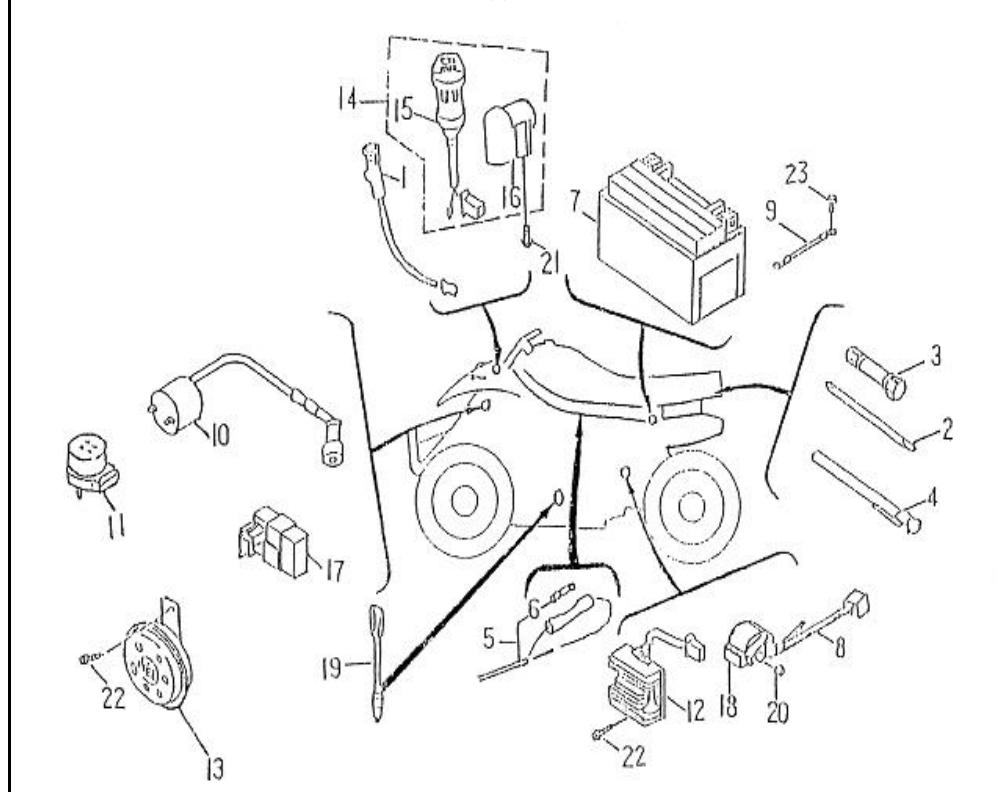
[MENU PAGE](#)

[PAGE UP](#)

[PAGE DOWN](#)

[INDEX](#)

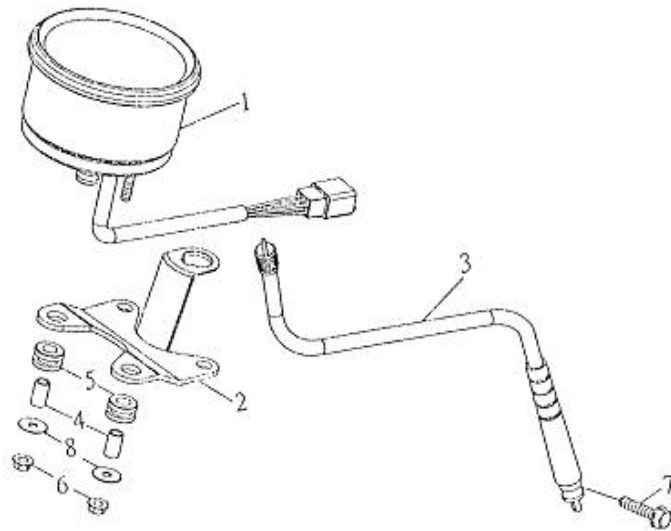
FIG 38 WIRE HARNESS 主電路配線



[MENU PAGE](#) [PAGE UP ▲](#) [PAGE DOWN ▼](#) [INDEX](#)

NO	PARTS NO.	PARTS NAME	QTY
1	55550-RAM-00	NEUTRAL LIGHT ASS'Y	1
2	56120-CBT-00	SCREW DRIVER	1
3	56140-CBT-00	TOOL PLUG	1
4	56190-RAM-00	GAUGE,AIR	1
5	61120-CBT-02	WIRE,HARNESS	1
6	61151-CHP-00	FUSE (15A250V)	1
7	62100-CHP-00	BATTERY ASS'Y (YTX9A-BS)	1
8	62110-CBT-00	CABLE,BATTERY	1
9	62120-RAM-00	CABLE,EARTH	1
10	62310-CBT-00	IGNITION COIL ASS'Y	2
11	62350-NAF-01	FLASHER RELAY ASSEMBLY	1
12	62360-CBT-00	RECTIFIER®ULATOR COMP	1
13	62370-NAF-00	HORN	1
14	62500-RAM-00	KEY SET	1
15	62501-RAM-00	MAIN SWITCH ASS'Y	1
16	62503-RAM-00	LOCK COMP,STEERING HANDLE	1
17	62540-QUA-00	C.D.I UNIT ASS'Y	1
18	62550-CBT-00	STARTER RELAY SWITCH COMP	1
19	62980-CHP-00	SWITCH ASS'Y,REAR STOP	1
20	95401-061006-C	NUT,FLANGE	1
21	96310-05012-B	SCREW,PAN HEAD5*12	2
22	96312-06016-K	SCREW,PAN HEAD WITH WASHER	2
23	96414-06012-B	BOLT,FLANGE	1

FIG 39 SPEEDOMETER 速度錶



NO	PARTS NO.	PARTS NAME	QTY
1	55510-RAM-01	SPEEDOMETER ASS'Y	1
2	55516-RAM-01	HOLDER,SPEEDOMETER	1
3	61520-RAM-01	CABLE,SPEEDOMETER ASS'Y	1
4	93510-050814-B	COLLAR,SPEEDOMETER	2
5	93580-81615	GROMMET	2
6	95401-050805-B	NUT,FLANGE	2
7	96414-06020-B	BOLT,FLANGE 6*20	1
8	97201-051610	WASHER,PLATE 5.3*16*1	2

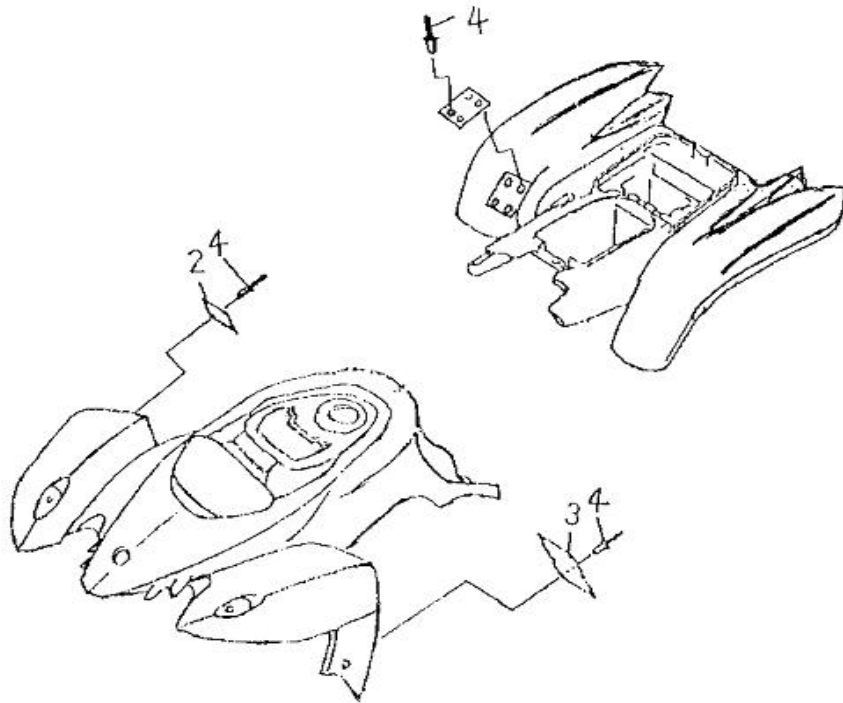
[MENU PAGE](#)

[PAGE UP ▲](#)

[PAGE DOWN ▼](#)

[INDEX](#)

FIG 40 WARNING 警告標誌



NO	PARTS NO.	PARTS NAME	QTY
1	56576-AAM-01	LABEL WARNING 3 (Tire)	1
2	56578-AAM-00E	LABEL WARNING 2 (Age)	1
3	56781-AAM-01	LABEL WARNING 1 (Operation)	1
4	94320-32096	RIVET 3.2*9.6	14

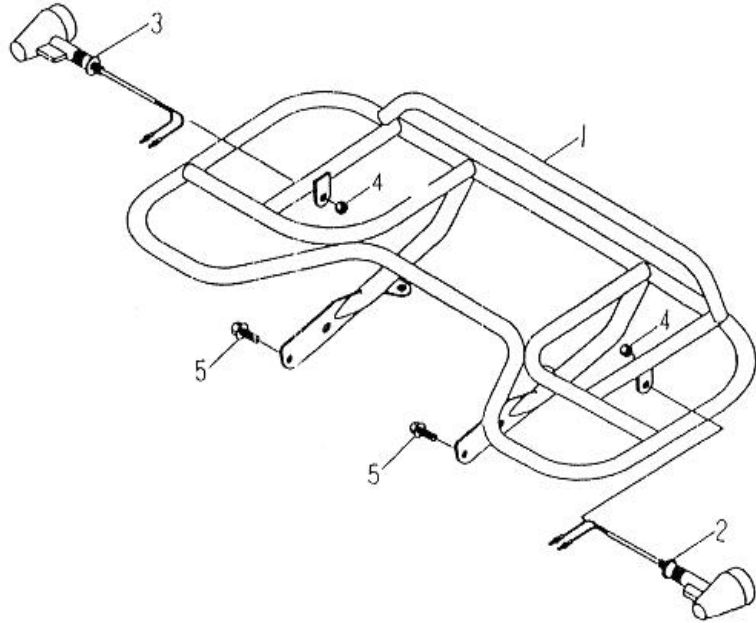
[MENU PAGE](#)

[PAGE UP](#)

[PAGE DOWN](#)

[INDEX](#)

FIG 41 CARRIER REAR 後架



NO	PARTS NO.	PARTS NAME	QTY
1	52850-RAM-03	CARRIER,REAR	1
2	55750-RAM-00	WINKER ASS'Y,L REAR	1
3	55760-RAM-00	WINKER ASS'Y,R REAR	1
4	95201-101408-B	NUT,HEXAGON	2
5	96414-08016-B	BOLT,FLANGE	4

[MENU PAGE](#)

[PAGE UP](#)

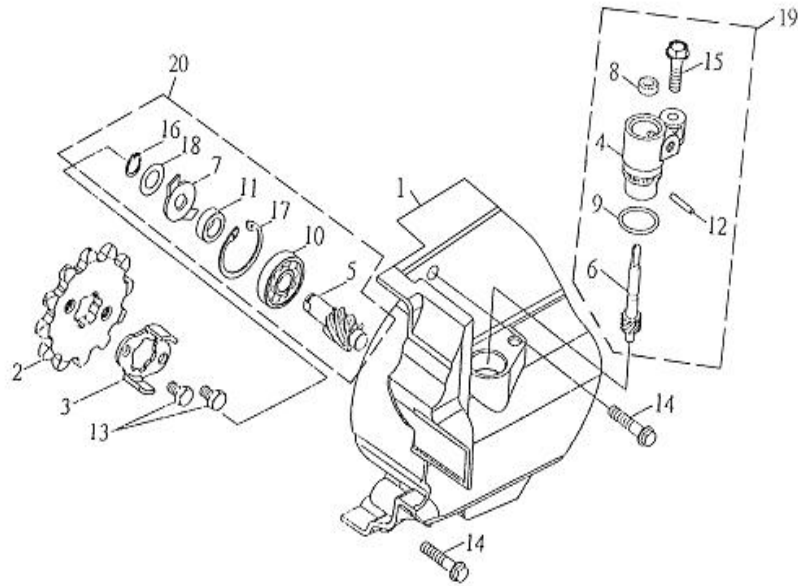


[PAGE DOWN](#)



[INDEX](#)

FIG 42 GEAR SPEEDOMETER 速度錶齒輪



NO	PARTS NO.	PARTS NAME	QTY
1	15421-CBT-01	COVER,L REAR CRANKCASE	1
2	25711-CBT-00	SPROCKET DRIVE(12T)	1
3	25716-RAM-00	PLATE,FIXING	1
4	42563-GOO-00	GEAR,SPEEDOMETER BODY	1
5	45835-CBT-00	non détaillé	1
6	45838-RAM-00	non détaillé	1
7	45849-CBT-00	non détaillé	1
8	93110-06114	OIL SEAL VC 6*11*4	1
9	93210-20190	O-RING 2.0*19	1
10	93320-103009U	BEARING,RADIAL BALL 6200LUCS05/2A	1
11	93510-101706-B	COLLAR	1
12	94510-30018	PIN,DOWEL 3*18	1
13	96210-06010-B	BOLT,HEXAGON 6*10	2
14	96411-06020-B	BOLT,FLANGE 6*20	2
15	96414-06025-B	BOLT,FLANGE 6*25	1
16	97010-10010-K	CIRCLIP STW-10	1
17	97012-30012-K	CIRCLIP RTW-30	1
18	97201-101805	WASHER,PLATE 10.5*18*0.5	1
19	42560-AAM-00	GEAR,SPEEDOMETER ASS'Y	1
20	45834-CBT-00	GEAR DRIVE ASS'Y	1

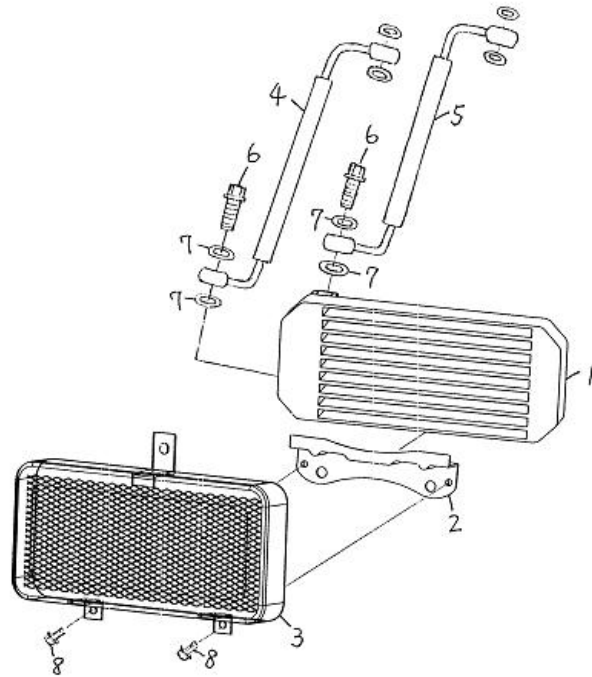
[MENU PAGE](#)

[PAGE UP](#)

[▲ PAGE DOWN ▼](#)

[INDEX](#)

FIG 43 OIL COOLING SET 機油冷卻裝置



NO	PARTS NO.	PARTS NAME	QTY
1	61900-CBT-00	OIL COOLING TANK	1
2	61903-CBT-00	LWR HOLDER,OIL COOLING TANK	1
3	61904-CBT-00	OIL COOLING TANK COVER	1
4	61910-CBT-00	TUBE,OIL COOLING TANK (405MM)	1
5	61911-CBT-00	TUBE,OIL COOLING TANK (420MM)	1
6	94716-12032-G	BOLT,UNION M12*32L	2
7	97231-122020	WASHER,ALUMINUM 12.3*20*2.0	8
8	96414-06012-B	BOLT,FLANGE 6*12	2

[MENU PAGE](#)

[PAGE UP](#)

[PAGE DOWN](#)

[INDEX](#)