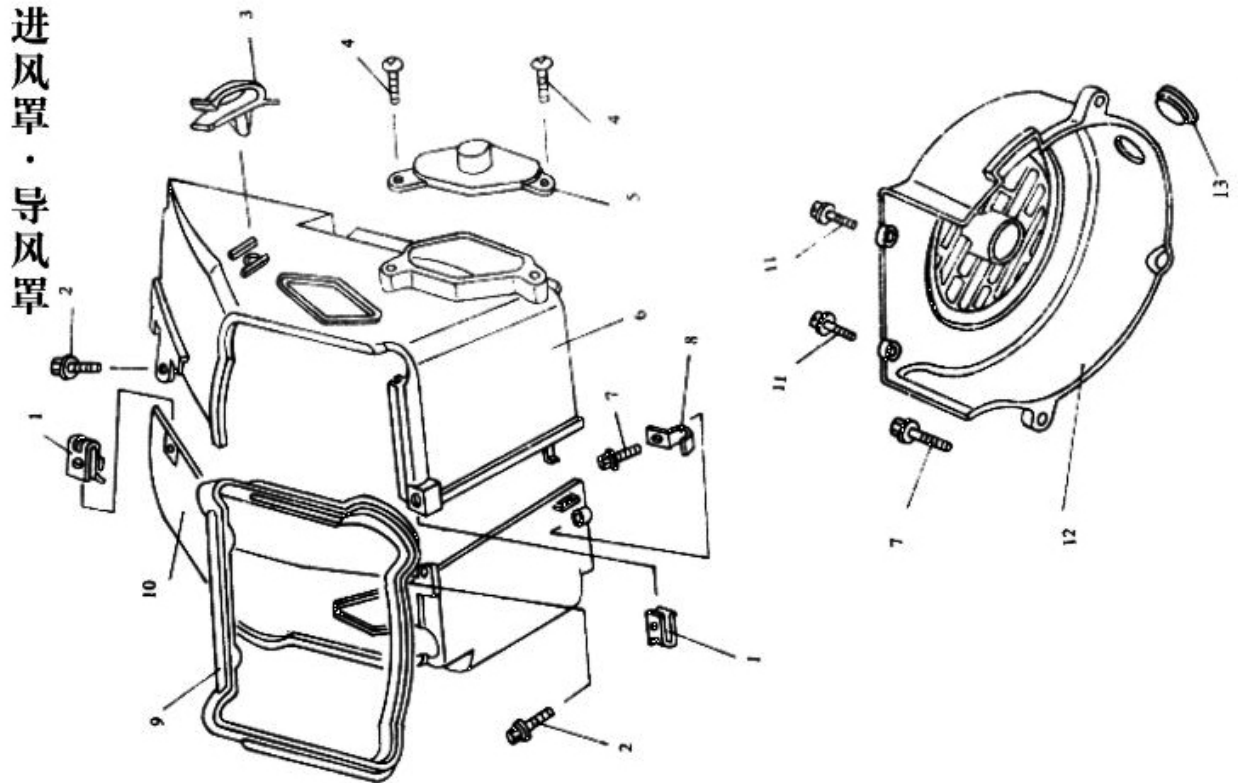




BT50 QT-9 Parts Diagram

Cover breathe / Cover shroud

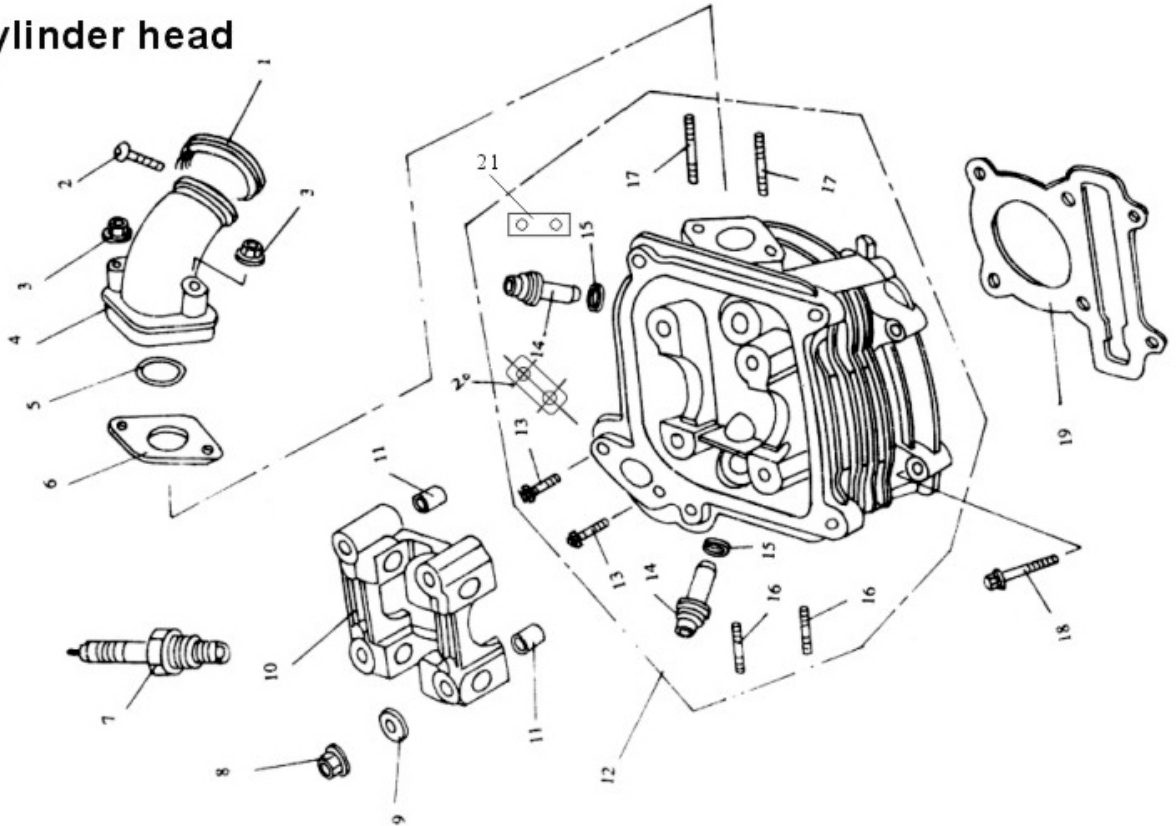


No.	Component and Parts No.	Name	Quantity
1	BT139QMB-000101	Shroud	2
2	GB5785-86	Bolt M6jA16	2
3	BT139QMB-000102	Tube Comp	1
4	GB845-85 ST4.2*13-F-H	Screw, Tapping	2
5	BT139QMB-000103	Tensioner Cover	1
7	GB5787-86	Bolt M6jA25	2
8	BT139QMB-000105	Clamper, oil drain tube	1
9	BT139QMB-000106	Seal ring	1
10	BT139QMB-000107	Shroud Assy, Below	1
11	GB818 M5jA16	Screw, Tapping	2
12	BT139QMB-000201	Cover Assy, Breathe	1
13	BT139QMB-000202	Cremmet, observe	1
5	BT139QMB-160001	Cylinder cover gasket	1



Cylinder head

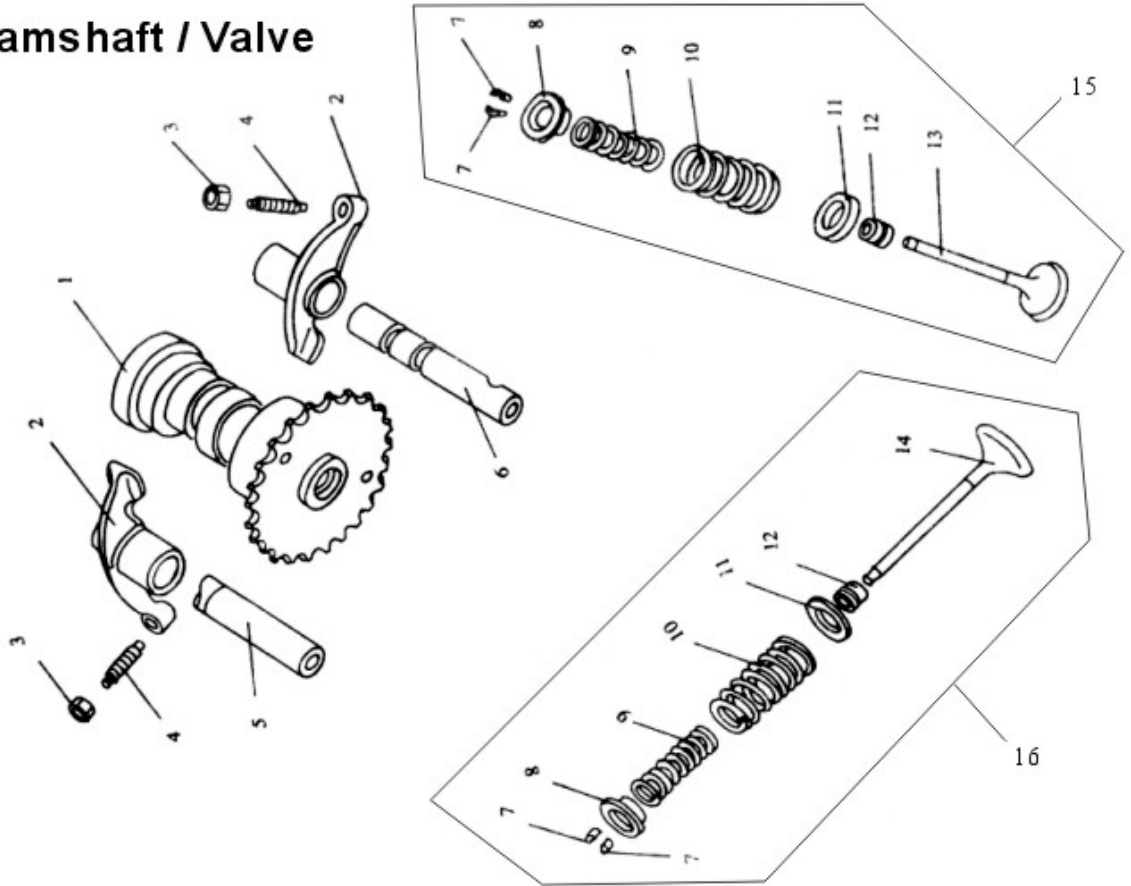
气缸头



No.	Component and Parts No.	Name	Quantity
1	BT139QMB-010400	Carburetor	1
2	GB818-85-M4 \times A25	Screw, Pan	1
3	GB6177-86-M6	Nut	2
4	BT139QMB-010200	Holder Assy, Carburetor	1
5	BT139QMB-010001	Insulator, O-ring	1
6	BT139QMB-010002	Carburetor	1
7	BT139QMB-010300	Spark plug	1
8	BT139QMB-010003	Cylinder Head Nut	4
9	BT139QMB-010004	Cylinder Head Washer	4
10	BT139QMB-011206	Camshaft	1
11	BT139QMB-010005	Dowel Pin	2
12	BT139QMB-010100	Cylinder Head Assy	1
13	GB5787-86-M6 \times A16	Bolt	2
14	BT139QMB-010102	Guide Valve	2
15	BT139QMB-010103	O-Ring	2
16	BT139QMB-010104	Bolt, Exhaust Muffler	2
17	BT139QMB-010105	Carburetor Bolt, Srud	2
18	GB5787-86	Bolt M6 \times A85	2
19	BT139QMB-000001	Head, Cylinder washer	1
20	BT139QMB-010106	Cap	1
21	BT139QMB-010107	Cap Rubber washer	1



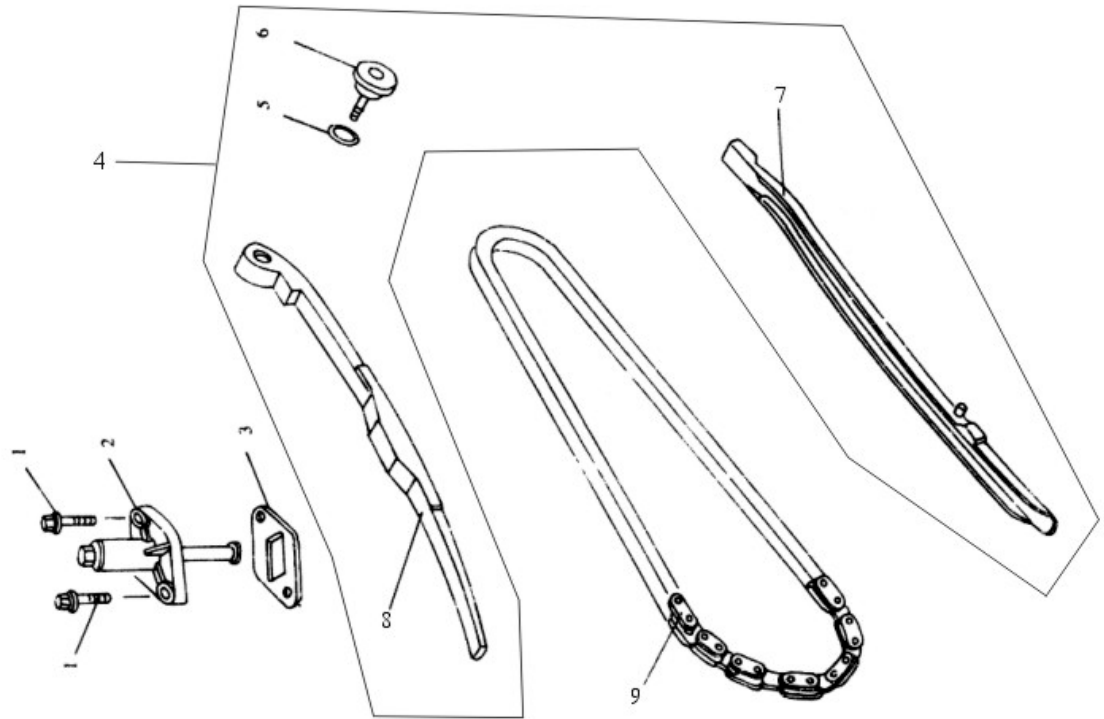
凸轮轴·气门
Camshaft / Valve



No.	Component and Parts No.	Name	Quantity
1	BT139QMB-011500	Camshaft Comp.	1
2	BT139QMB-011201	Arm	2
3	BT139QMB-011202	Nut,Tappet Adjusting	2
4	BT139QMB-011203	Screw,Tappet Adjusting	2
5	BT139QMB-011204	Shaft,EX.Rocker Arm	1
6	BT139QMB-011205	Shaft,In.Rocker Arm	1
7	BT139QMB-011302	Cotter,Valve	2
8	BT139QMB-011303	Up pedestal, Spring	2
9	BT139QMB-011304	Spring,Valve Inner	2
10	BT139QMB-011305	Spring,Valve Outer	2
11	BT139QMB-011306	Under Pedestal, Spring	2
12	BT139QMB-011307	Seal Assy,Valve	2
13	BT139QMB-011301	Valve Intake	1
14	BT139QMB-011401	Valve Exhaust	1
15	BT139QMB-011300	Valve Intake Assy	1
16	BT139QMB-011400	Valve Exhaust Assy	1



正时链条 · 张紧器
Camchain / Tensioner

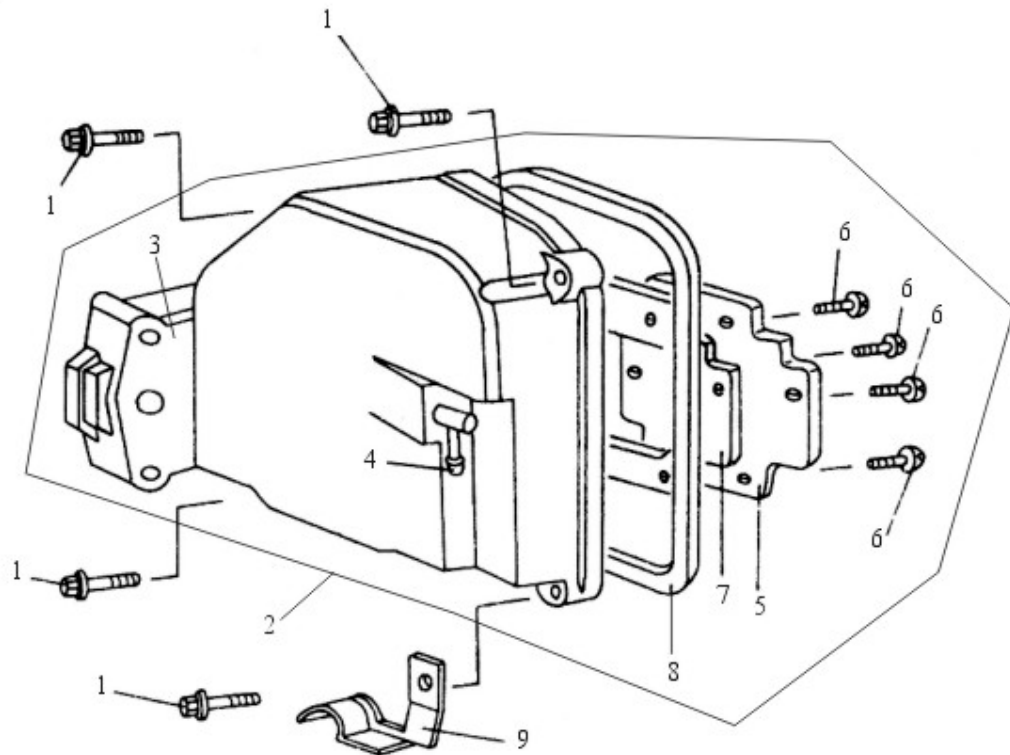


No.	Component and Parts No.	Name	Quantity
1	GB5787-86	Bolt M6;A16	2
2	BT139QMB-080610	Tensioner Assy	1
3	BT139QMB-080601	Gasket,Tensioner Lifter	1
4	BT139QMB-080620	Tensioner Assy	1
5	BT139QMB-080621	O-Ring	1
6	BT139QMB-080622	Screw	1
7	BT139QMB-080623	Guide	1
8	BT139QMB-080624	Tensioner	1
9	BT139QMB-080700	Camchain	1



Cylinder head cover

气
缸
盖
罩

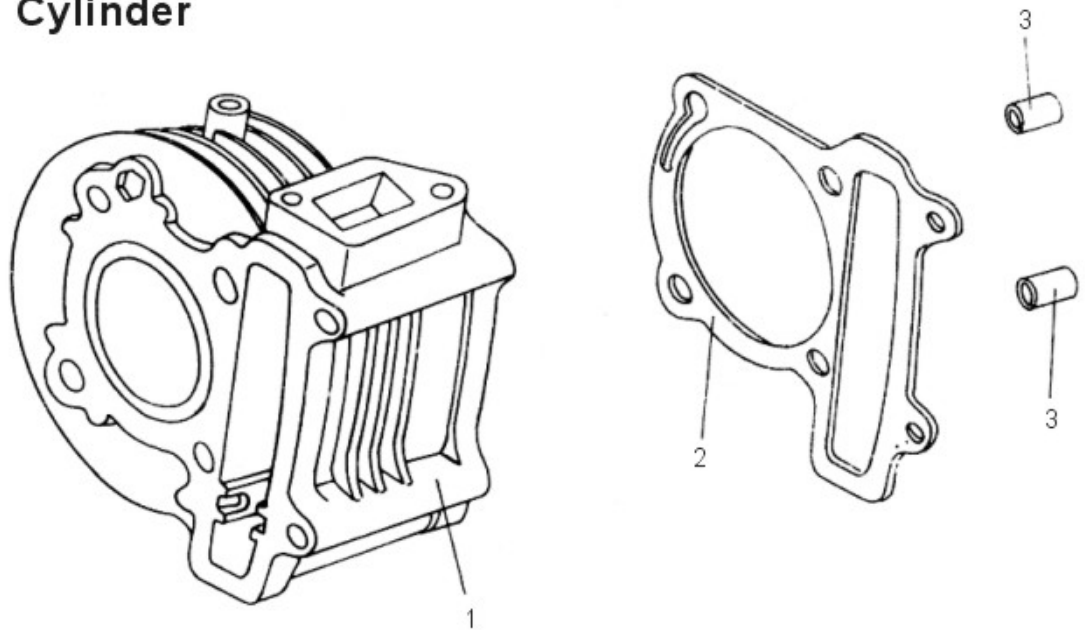


No.	Component and Parts No.	Name	Quantity
1	GB5787-86-M6jA25	Bolt M6jA25	4
2	BT139QMB-160200	Cylinder Cover Assy	1
3	BT139QMB-160201	Cylinder Cover	1
4	BT139QMB-160202	Ventilating Tube Connector Assy	1
5	BT139QMB-160203	Ventilating Chamber Cover	1
6	GB818-M4jA8	Bolt M4jA8	4
7	BT139QMB-160204	Ventilating Chamber Gasket	1
8	BT139QMB-160001	Cylinder Cover Gasket	1
9	BT139QMB-160100	Clip Tube	1



Cylinder

气
缸

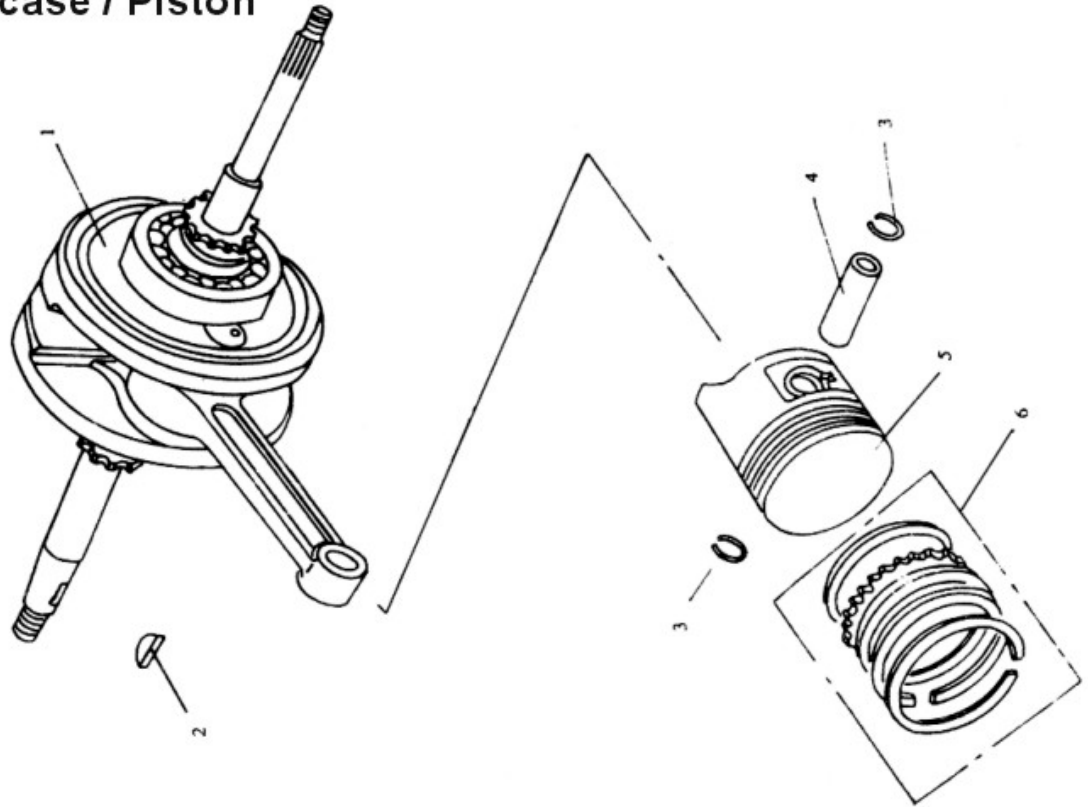


No.	Component and Parts No.	Name	Quantity
1	BT139QMB-020001	Cylinder Assy	1
2	BT139QMB-000002	Gasket,Cylinder	1
3	BT139QMB-020002	Pin A,Dowel	2
1	BT139QMB-020001	Cylinder Assy	1
2	BT139QMB-000002	Gasket,Cylinder	1
3	BT139QMB-020002	Pin A,Dowel	2



Crankcase / Piston

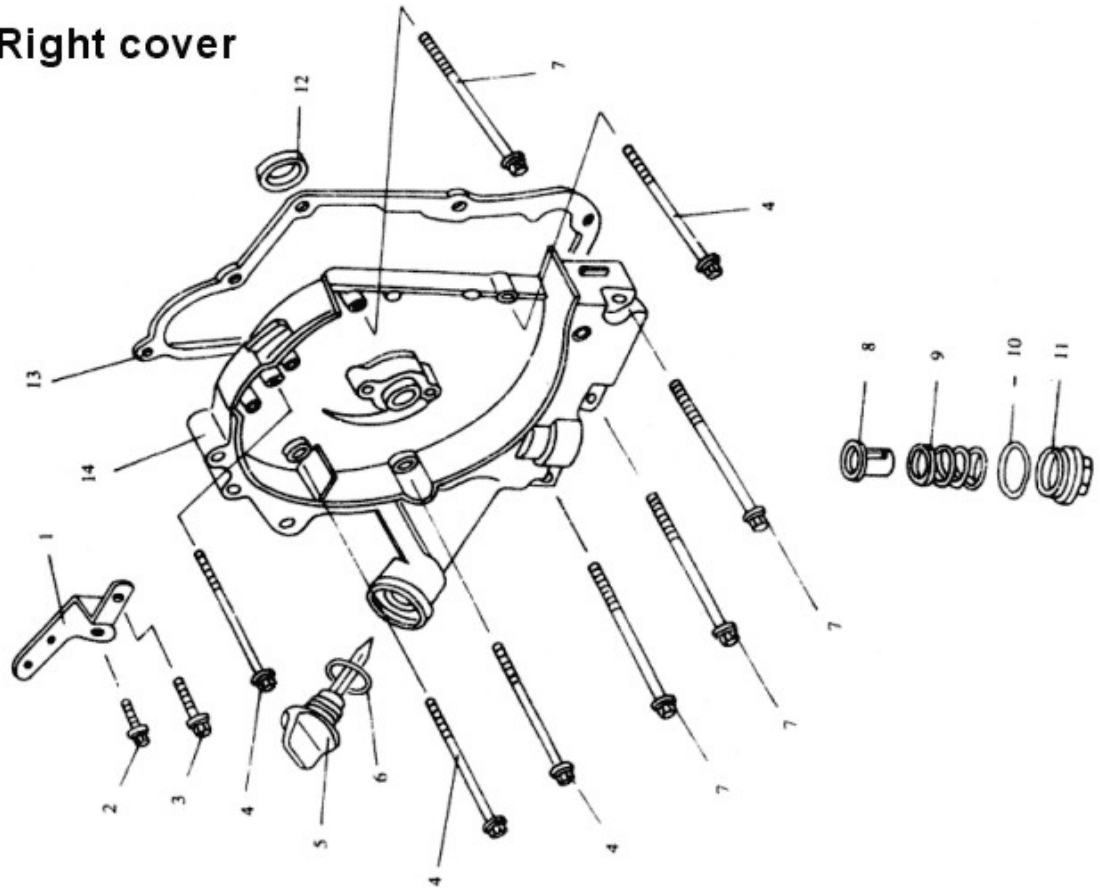
曲轴
·
活塞



No.	Component and Parts No.	Name	Quantity
1	BT139QMB-070100	Crankshaft Connecting Assy	1
2	BT139QMB-070001	Woodruff Key	1
3	BT139QMB-070002	Piston Pin Clip	2
4	BT139QMB-070003	Pin Piston	1
5	BT139QMB-070004	Piston	1
6	BT139QMB-070200	Piston Ring Assy	1
6	BT139QMB-070201	Ring,Piston,First	1
6	BT139QMB-070202	Ring,Piston,Second	1
6	BT139QMB-070203	Ring,Blode	2
6	BT139QMB-070204	Loaded Oil Control	1



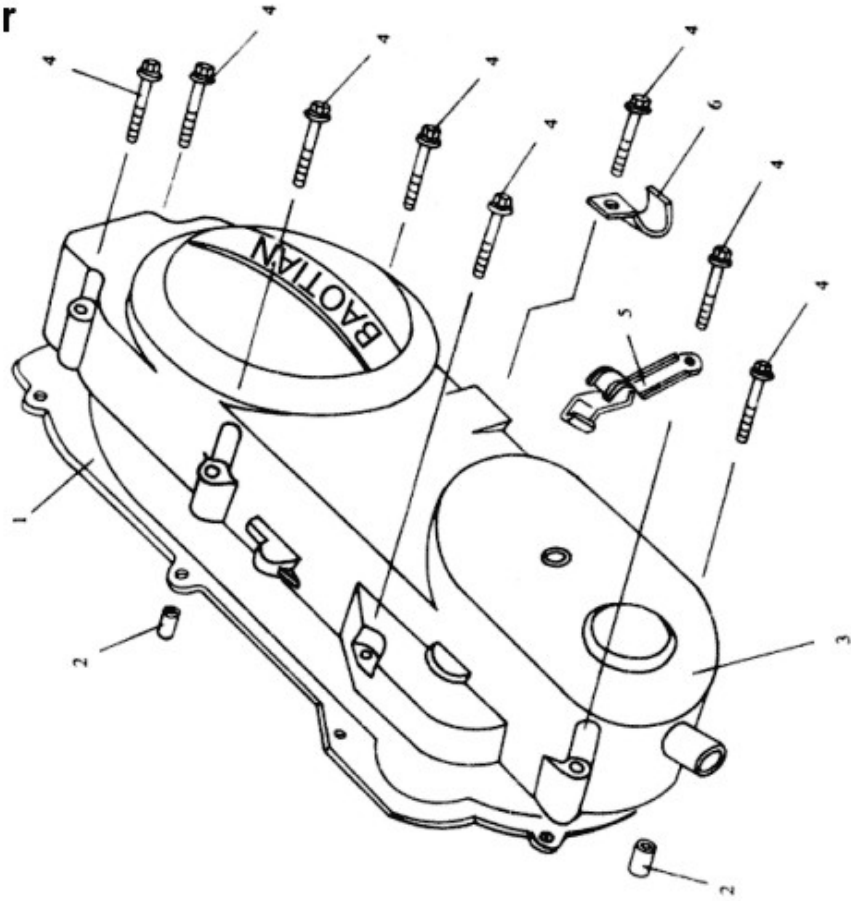
右
盖
Right cover



No.	Component and Parts No.	Name	Quantity
1	BT139QMB-000017	Fender frame	1
2	GB5787-86	Bolt M6;A16	1
3	GB5787-86	Bolt M6;A25	1
4	GB5787-86	Bolt M6;A85	4
5	BT139QMB-030003	Gauge,Oil Level	1
6	BT139QMB-030004	O-Ring,Oil Level	1
7	GB5787-86	Bolt M6;A100	4
8	BT139QMB-030005	Oil Filter	1
9	BT139QMB-030006	Spring,Oil Filter	1
10	BT139QMB-030007	O-ring,Oil Filter Cover	1
11	BT139QMB-030008	Cap,Oil Filter Screw	1
12	BT139QMB-030009	Oil Seal Assy,R-Cover	1
13	BT139QMB-000003	Gasket,R-Cover	1
14	BT139QMB-030001	Right Cover	1



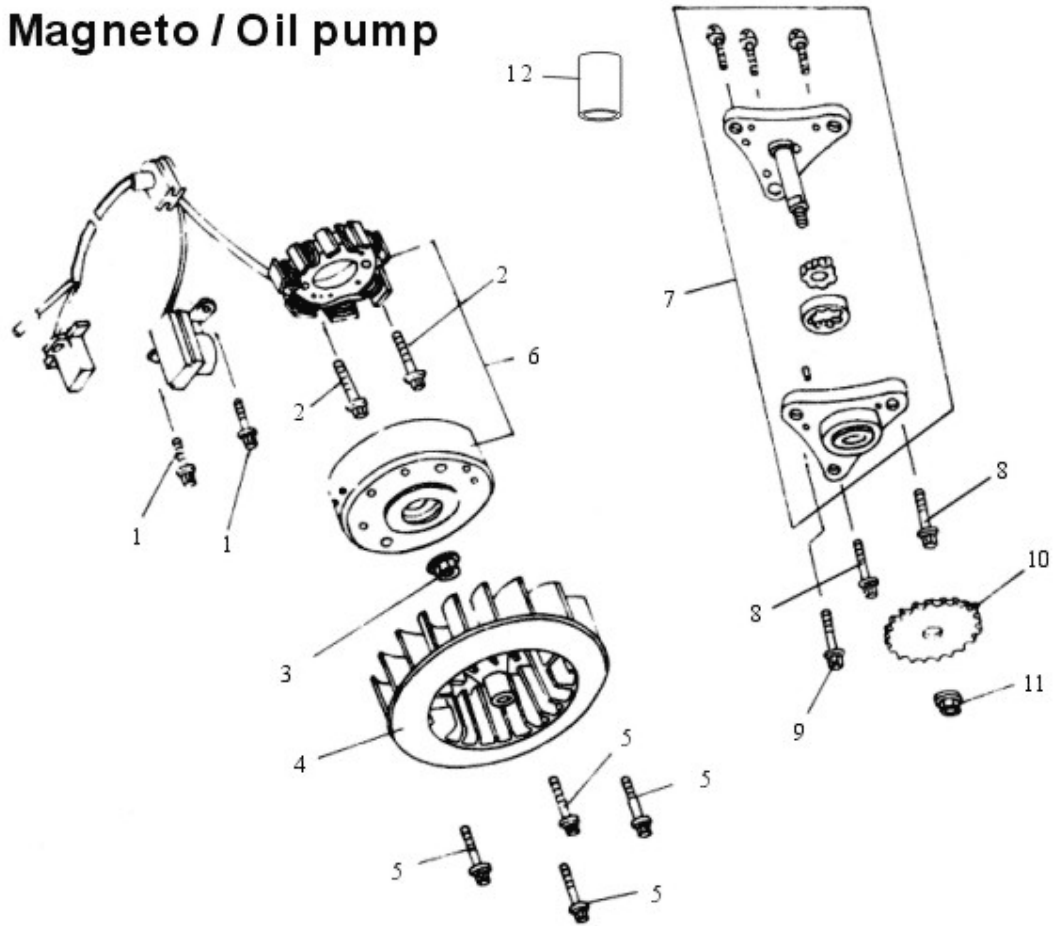
左 盖
 Left cover



No.	Component and Parts No.	Name	Quantity
1	BT139QMB-000004	Gasket,L-Cover	1
2	BT139QMB-060002	Dowel Pin	2
3	BT139QMB-060001	Left Cover	1
4	GB5787-86	Bolt M6 \times A35	8
5	BT139QMB-060010	Clamper Assy	1
6	BT139QMB-060003	Clamper,Braker Cable	1



磁电机 · 机油泵
Magneto / Oil pump

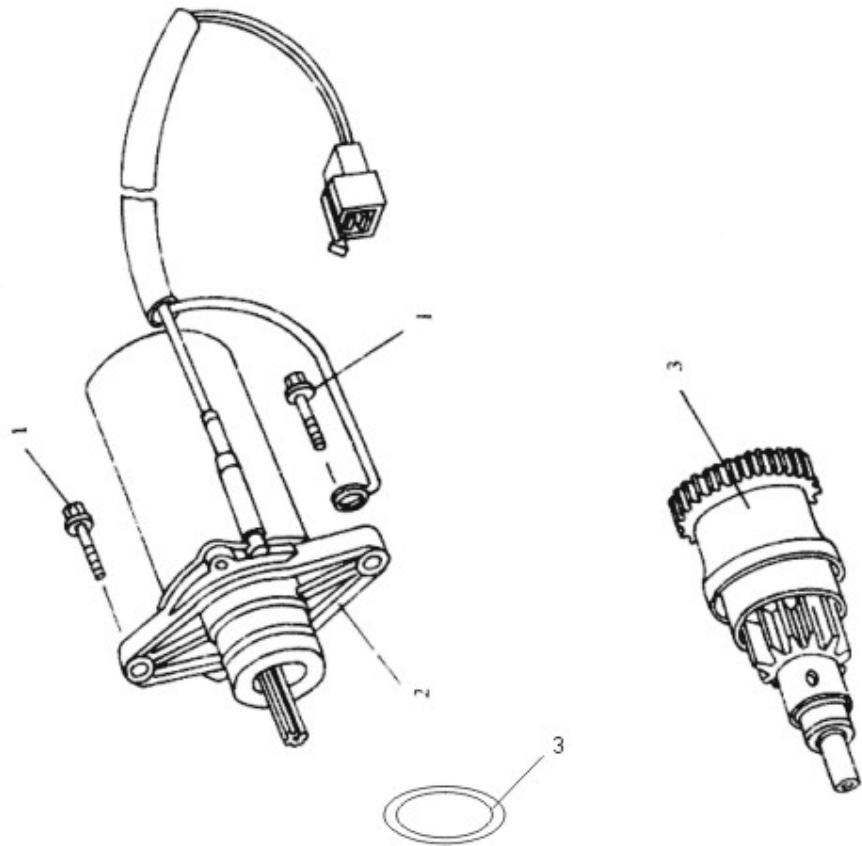


No.	Component and Parts No.	Name	Quantity
1	GB5787-86-M5jA12	Bolt M5jA12	2
2	GB5787-86-M6jA22	Bolt M6jA22	2
3	GB6177-86-M10jA1.25	R.Nut,Camshaft	1
4	BT139QMB-130200	Fan Comp.,Cooling	1
5	GB5787-86	Bolt M6jA16	4
6	BT139QMB-130100	Generator Assy	1
7	BT139QMB-100100	Oil Pump Assy	1
8	GB5787-86	Bolt M6jA20	2
9	GB5787-86	Bolt M6jA25	1
10	BT139QMB-100200	Chain Oil Pump Diver	1
11	GB6177-86-M6	Nut	1
12	BT139QMB-100001	Oil Pump Dowel Pin	1



Starting motor / Single director

起
动
电
机
·
单
向
器

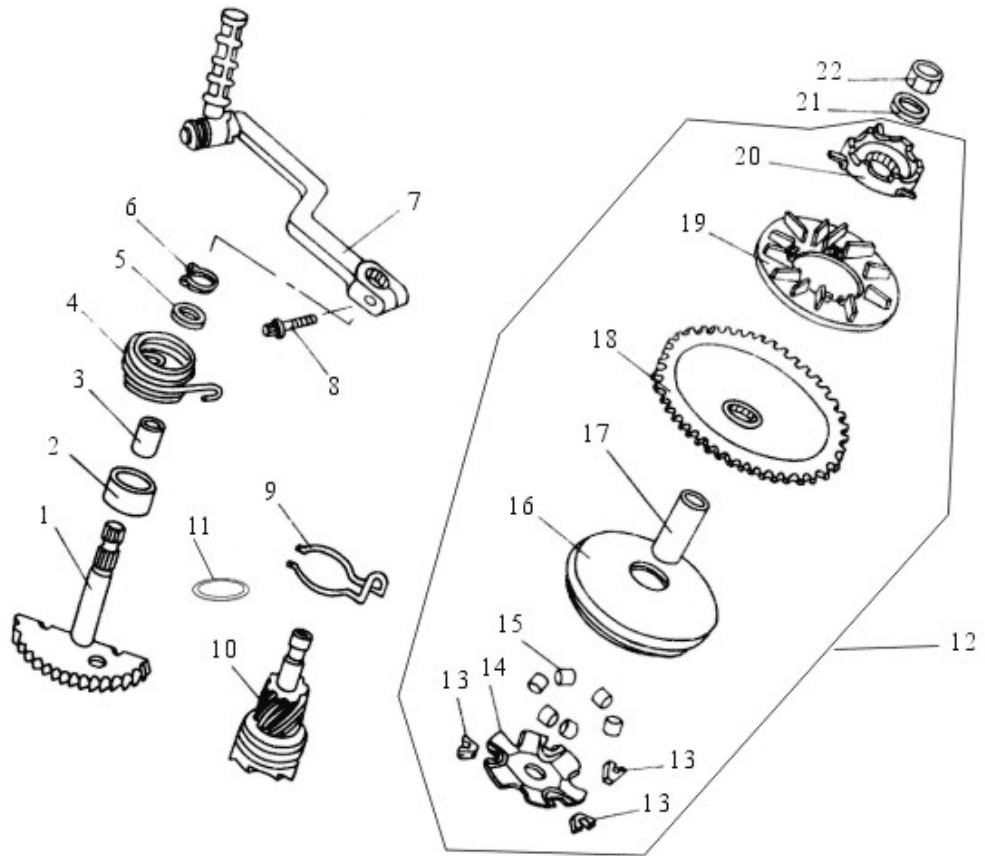


No.	Component and Parts No.	Name	Quantity
1	GB5787-86	Bolt M6jA25	2
2	BT139QMB-120000	Starter Motor Assy	1
3	BT139QMB-120001	O-Ring	1
4	BT139QMB-000800	Single Director Assy	1



主动轮 · 脚起动装置

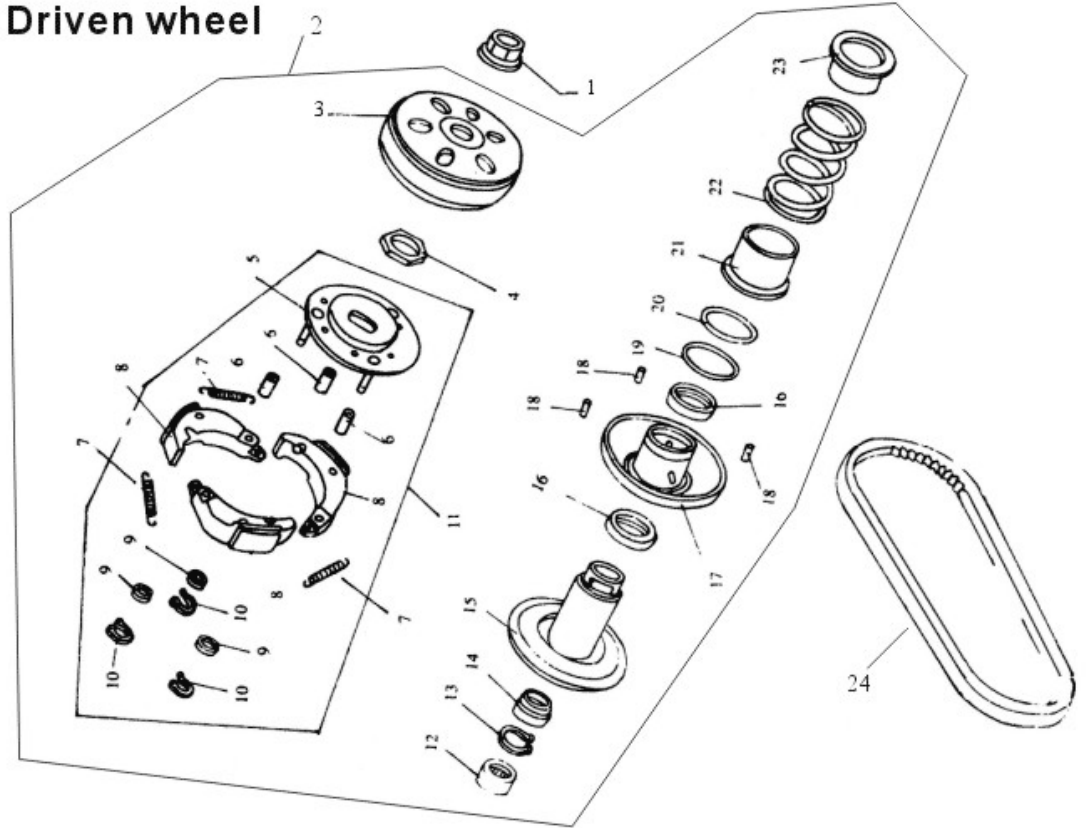
Driver assy / Starter assy



No.	Component and Parts No.	Name	Quantity
1	BT139QMB-110100	Kick Starter Shaft Comp.	1
2	BT139QMB-110101	Bush ; μ 34; \dot{A} ; μ 38; \dot{A} 4.5	1
3	BT139QMB-110102	Bush ; μ 14; \dot{A} ; μ 18; \dot{A} 22.5	1
4	BT139QMB-110103	Spring,torsion	1
5	BT139QMB-110104	Washer	1
6	GB894.1-86-14	Clip	1
7	BT139QMB-110200	Arm Assy,Kick Starter	1
8	GB5783-86	Bolt M6; \dot{A} 22	1
9	BT139QMB-110001	Spring	1
10	BT139QMB-110002	Gear Comp,idle	1
11	BT139QMB-110003	Washer	1
12	BT139QMB-001900	Driver Assy	1
13	BT139QMB-001901	Buffer Plate Driver	3
14	BT139QMB-001902	Plate,Ramp	1
15	BT139QMB-001903	Reller set	6
16	BT139QMB-001904	Right Part,Driver	1
17	BT139QMB-001905	Bush,Driver	1
18	BT139QMB-001906	Left Part,Driver	1
19	BT139QMB-001907	Fan,Driver	1
20	BT139QMB-001908	Foot-starter Driver Claw	1
21	GB/T97.1- \S 12	Washer, \S 12	1
22	GB/T6177-M12; \dot{A} 1.25	Nut	1



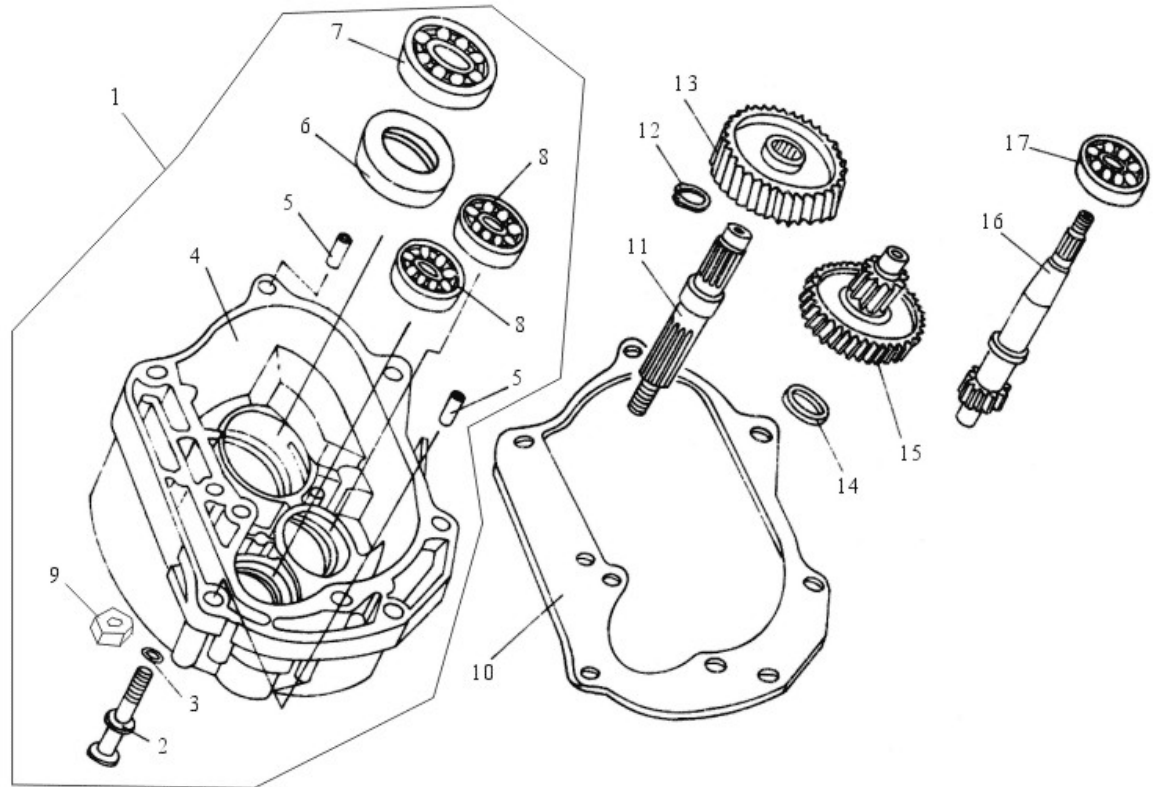
皮带 · 从动轮
Belt / Driven wheel



No.	Component and Parts No.	Name	Quantity
1	GB6177 M10jA1.25	Nut	1
2	BT139QMB-090000	Driver Puller Assy	1
3	BT139QMB-090001	Outer Clutch Assy.	1
4	BT139QMB-091101	Nut, Special	1
5	BT139QMB-091120	Baseplate Clutch	1
6	BT139QMB-091102	Washer	3
7	BT139QMB-091103	Spring, Clutch	3
8	BT139QMB-091110	Waiyht, Clutch	3
9	BT139QMB-091104	Washer	3
10	GB896-86-5	Clip	3
11	BT139QMB-091100	Plate-Assy, Driver	1
12	BT139QMB-091500	Bearing Needle	1
13	GB893.1-86-24	Clip	1
14	61901-LS GB/T276-94	Bearing	1
15	BT139QMB-091200	Right Comp, Driver	1
16	BT139QMB-091300	Oil Seal Assy, Cover	2
17	BT139QMB-091400	Left Lemp, Driver	1
18	BT139QMB-090002	Pin, Roller Guide	3
19	BT139QMB-090003	Right O-ring, Driver	1
20	BT139QMB-090004	Left O-ring, Spring	1
21	BT139QMB-090005	Right Seat, Spring	1
22	BT139QMB-090006	Spring Driver	1
23	BT139QMB-090007	Left Seat, Spring	1
24	BT139QMB-000005	V-bolt	1



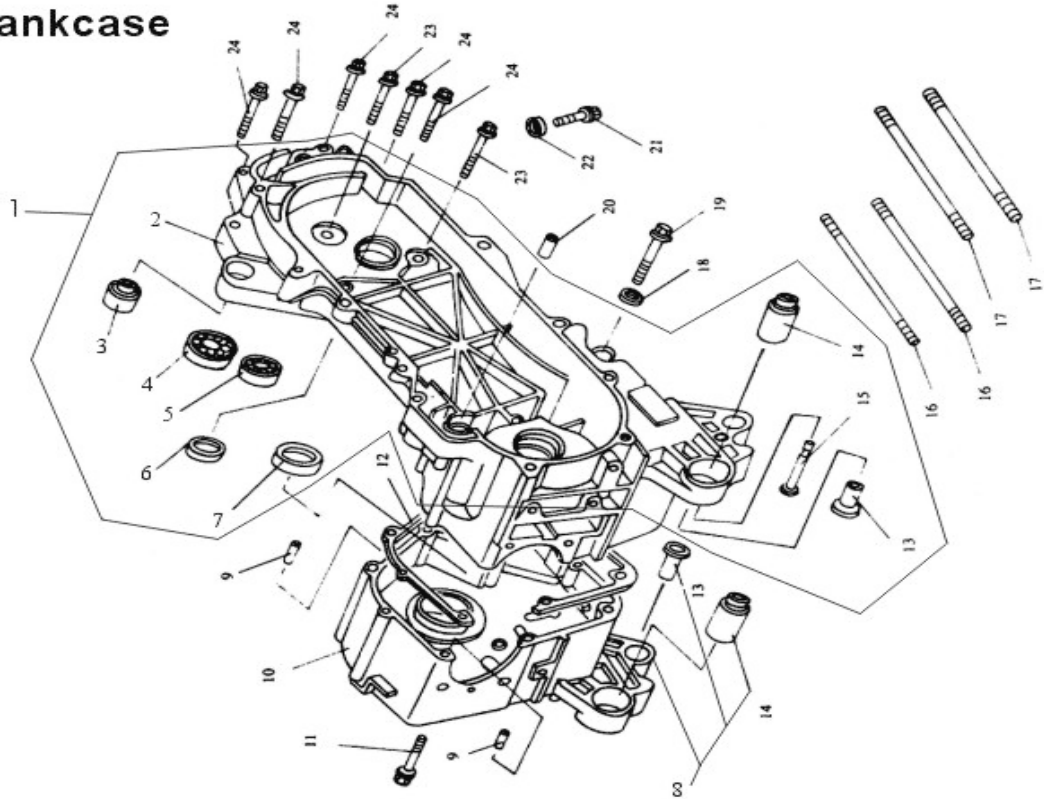
后
传
动
机
构
Rear transmission



No.	Component and Parts No.	Name	Quantity
1	BT139QMB-150100	Rear Transmission Box Assy	1
2	BT139QMB-150002	Brake Pedal Install Shaft	1
3	BT139QMB-150003	Brake Pedal Install Shaft O-ring	1
4	BT139QMB-150001	Rear Transmission Box	1
5	BT139QMB-150004	Pin,Rear Transmission Box	2
6	BT139QMB-150110	Oil Seal Assy	1
7	6004-2RS GB/T276-94	Bearing	1
8	6201-GB/T276-94	Bearing	2
9	GB6187 M8	Nut	1
10	BT139QMB-000006	Gasket,Rear Cover	1
11	BT139QMB-150006	Shaft,Final	1
12	GB894.1-86.20	Clip	1
13	BT139QMB-150007	Gear,Final	1
14	BT139QMB-150008	Washer,Counter Comp	1
15	BT139QMB-150200	Counter,Shaft Comp	1
16	BT139QMB-150009	Shaft,Drive	1
17	6203 GB/T276-94	Left Bearing,Shaft,Drive	1



曲轴箱
 Crankcase

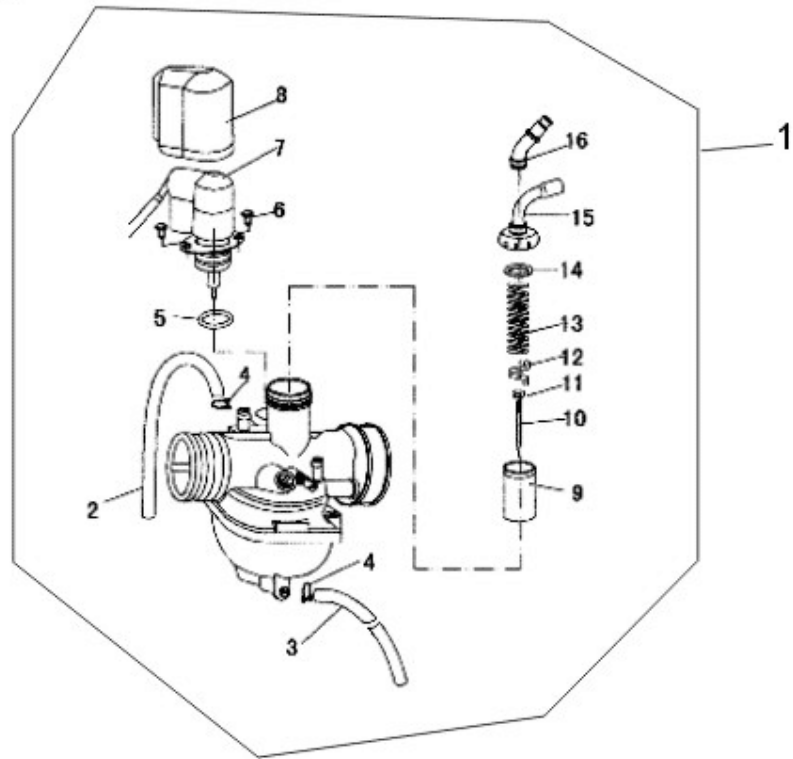


No.	Component and Parts No.	Name	Quantity
1	BT139QMB-050100	Crankcase Assy L.	1
1	BT139QMB-050100	Crankcase Assy L.	1
2	BT139QMB-050101	Crankcase L.	1
3	BT139QMB-050110	Bush Harge	1
4	6203-GB/T276-94	Bearing, Radial Ball	2
5	6201-GB/T276-94	Bearing, Radial Ball	1
6	BT139QMB-050120	Seal	1
7	BT139QMB-050130	Crankshaft Oil Seal Assy., Left	1
8	BT139QMB-040100	Crankcase Assy R.	1
9	BT139QMB-050001	Pin, Dowel	2
10	BT139QMB-040101	Crankcase R.	1
11	GB/T5787-86	Bolt M6 _i ×45	1
12	BT139QMB-000007	Gasket, Crankcase	1
13	BT139QMB-040200	Front-Stand Install Assy	2
14	BT139QMB-040300	Front-Stand Install Assy	2
15	BT139QMB-040001	Fixing Shaft, Main-Stand Spring	2
16	BT139QMB-000008	Stud	2
17	BT139QMB-000009	Stud	2
18	GB/T97.1-§112	Washer, Plug	1
19	BT139QMB-050002	Dram Plug	1
20	BT139QMB-050003	Bush	1
21	GB/T5789 M8 _i ×12	Bolt M8 _i ×12	1
22	GB/T97.1-§18	Washer	1
23	GB/T5787-86	Bolt M8 _i ×35	2
24	GB/T5787-86	Bolt M8 _i ×40	5



化油器

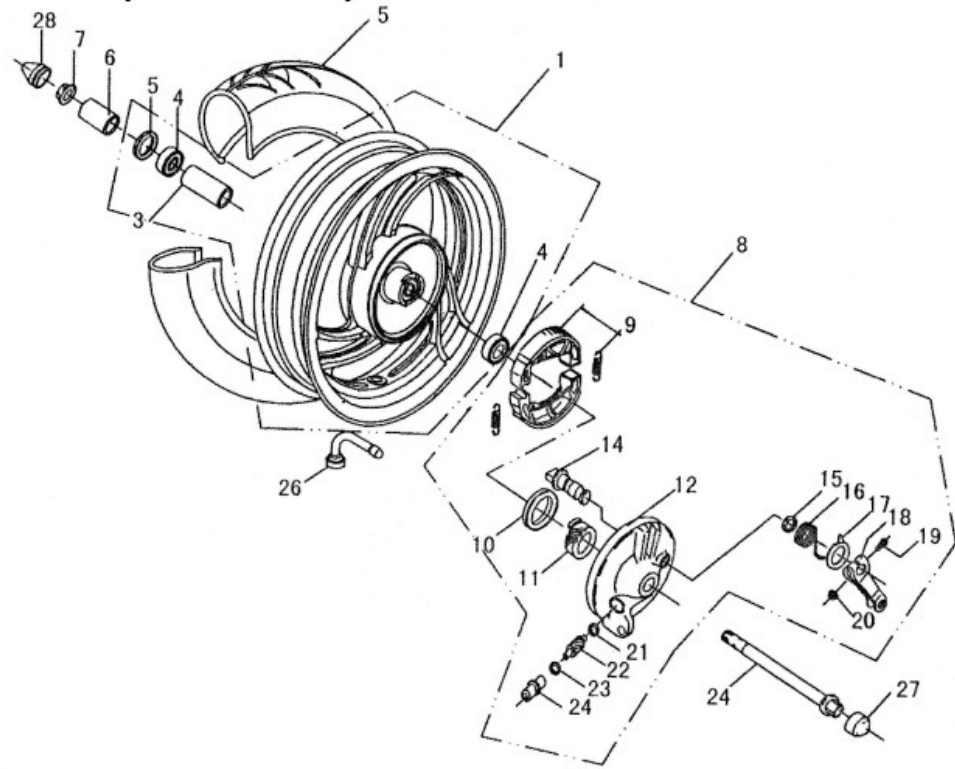
Carburetor



No.	Component and Parts No.	Name	Quantity
1	BT139QMB-140000	carburetor assy	1
2	BT139QMB-140001	breather tube	1
3	BT139QMB-140002	hose overflow	1
4	BT139QMB-140003	clip, tube	2
5	BT139QMB-140004	O-ring	1
6	GB818-M4;A8	Bolt	2
7	BT139QMB-140200	valueset, starter	1
8	BT139QMB-140005	cap, starter valve	1
9	BT139QMB-140006	valve, throttle	1
10	BT139QMB-140007	needle	1
11	BT139QMB-140008	circlip	1
12	BT139QMB-140009	circlip	1
13	BT139QMB-140011	spring, throttle valve	1
14	BT139QMB-140012	O-ring	1
15	BT139QMB-140013	cap, valve, throttle	1
16	BT139QMB-140014	cap	1



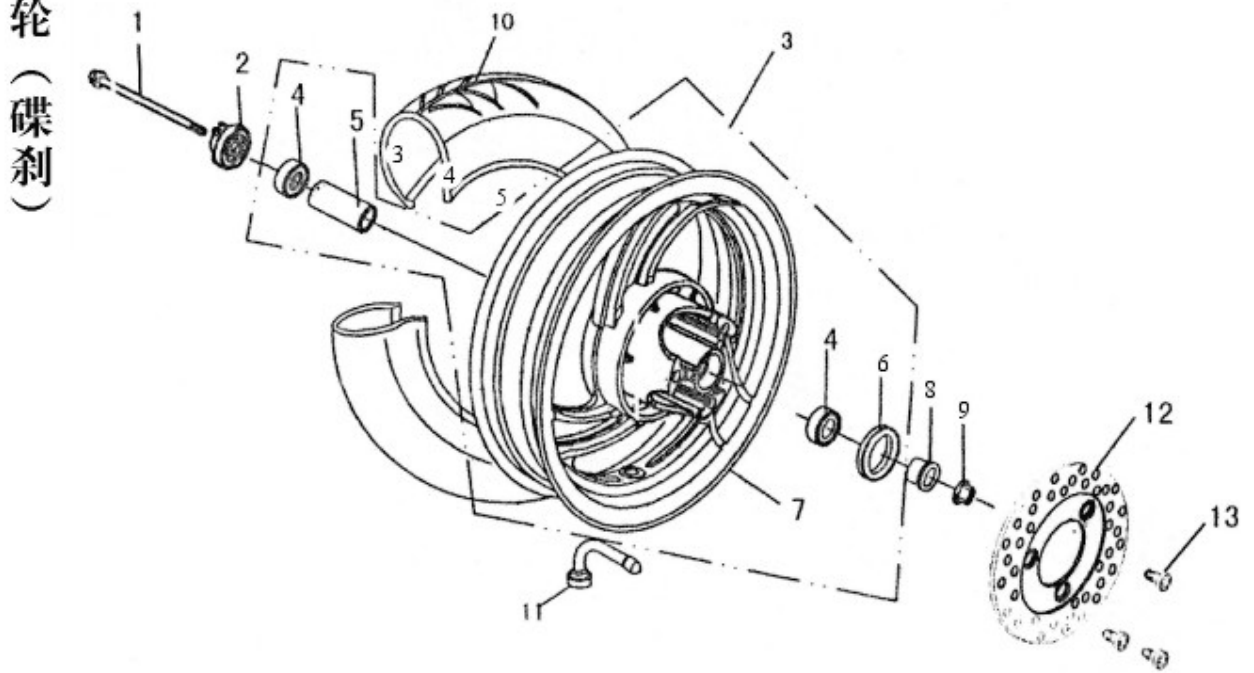
前轮 (鼓刹)
Front wheel (drum brake)



No.	Component and Parts No.	Name	Quantity
1	BT50QT-9-060100	Front rim Assy	1
2	BT50QT-9-060101	Front rim	1
3	BT50QT-9-060102	Beaing bush	1
4	GB278	Bearing 6201	2
5	BT50QT-9-060110	Oil seal	1
6	BT50QT-9-060002	R.bush front wheel	1
7	GB6187-86 M12jA1.25	Nut	1
8	BT50QT-9-140000	Front brake assy.	1
9	BT50QT-9-140200	Brake shoe	1
10	BT50QT-9-140110	Oil seal	1
11	BT50QT-9-140002	Driver gear	1
12	BT50QT-9-140100	Cap.Fr.Brake panel cover	1
13	BT50QT-9-140009	Bush, pinion	1
14	BT50QT-9-140004	Cam, Fr.Brake	1
15	BT50QT-9-140005	Dust protect washer	1
16	BT50QT-9-140006	Front brake spring	1
17	BT50QT-9-140007	Indicating board	1
18	BT50QT-9-140008	Front brake level	1
19	GB5787-86-M6jA30	Bolt	1
20	GB6177-86-M6	Nut	1
21	GB97.1-6	Washer 6	1
22	BT50QT-9-140003	Driven gear odometer	1
23	GB97.1-6	Washer 6	1
24	BT50QT-9-060001	Front wheel axle	1
25	GB2983 3.00-10	Tire 3.00-10	1
26	BT50QT-9-060003	Valve	1
27	BT50QT-9-060004	Left rubber cap	1
28	BT50QT-9-060005	Right rubber cap	1



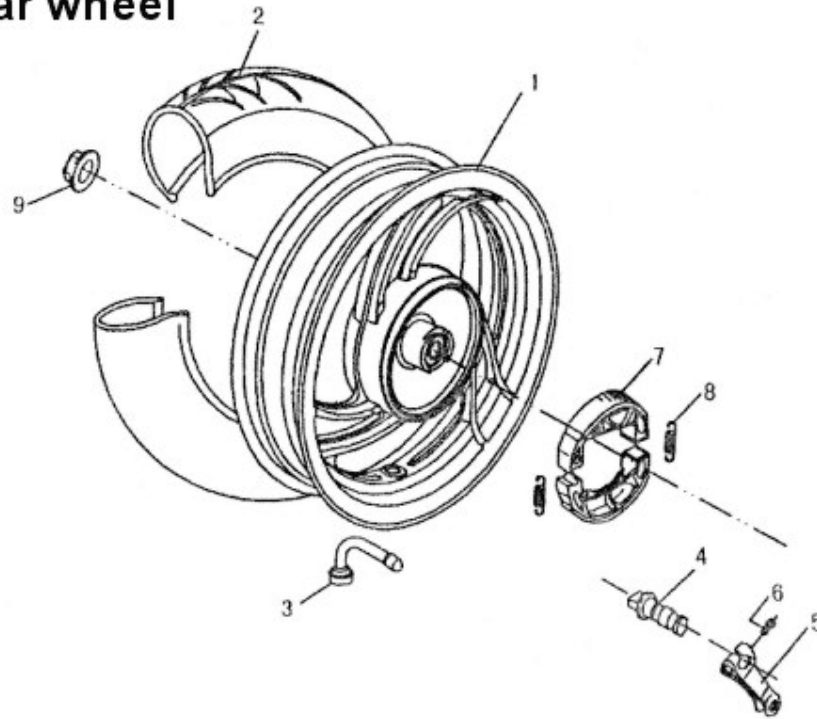
前轮 (碟刹) Front wheel (disk brake)



No.	Component and Parts No.	Name	Quantity
1	BT50QT-9-060001A	Axle Fr.wheel	1
2	BT50QT-9-060200A	Gear box assy speed	1
3	BT50QT-9-060100A	Front wheel Assy	1
4	GB278	Bearing6201	2
5	BT50QT-9-060101A	Central set	1
6	BT50QT-9-060120A	Seal dust	1
7	BT50QT-9-060130A	Front wheel	1
8	BT50QT-9-060002A	Bushing	1
9	GB6187-86 M12;A1.25	Nut	1
10	GB2986-3.0-10	Tire 3.0-10	1
11	BT50QT-9-060003	Valve	1
12	BT50QT-9-060003A	Disk brake	1
13	BT50QT-9-060004A	Disk brake bolt	3



后 轮
 Rear wheel

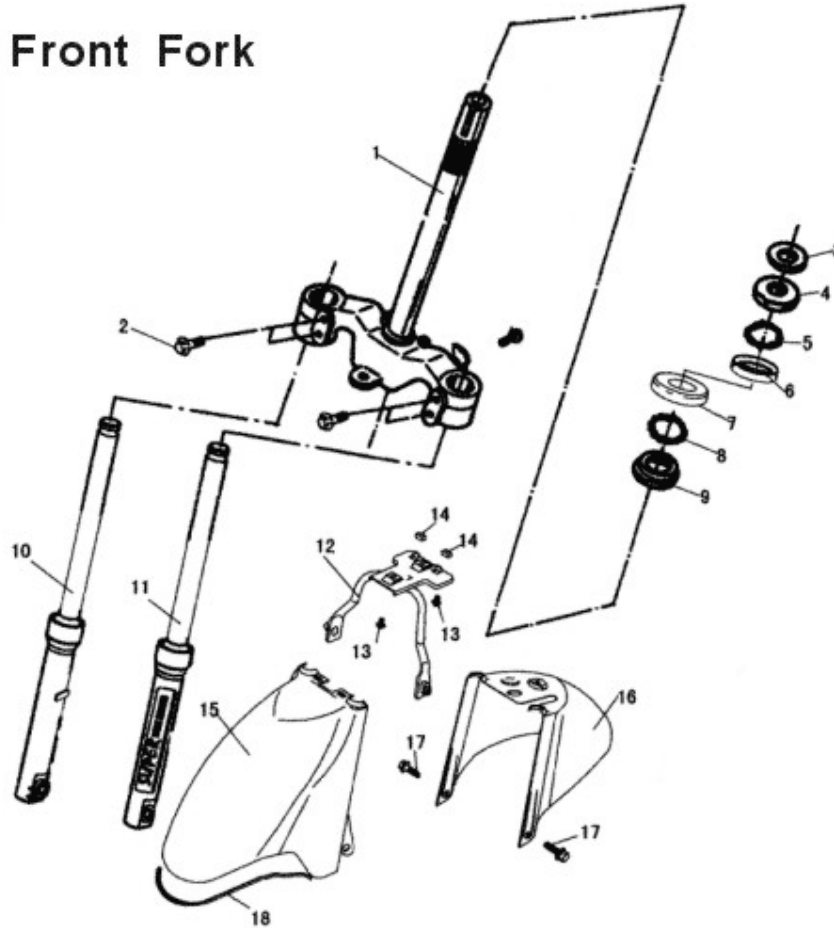


No.	Component and Parts No.	Name	Quantity
1	BT50QT-9-360100	Rear wheel	1
2	GB518-1997-3.00-10	Tyre	1
3	BT50QT-9-060003	Valve	1
4	BT50QT-9-340002	Rear brake cam	1
5	BT50QT-9-340003	Rear brake lever welding assy	1
6	GB5780-86 M6;A35	Bolt	1
7	BT50QT-9-340100	Brake shoe assy	2
8	BT50QT-9-340001	Spring	2
9	GB6187-86 M16;A1.5	Nut.Self.Lock	1



前
叉

Front Fork

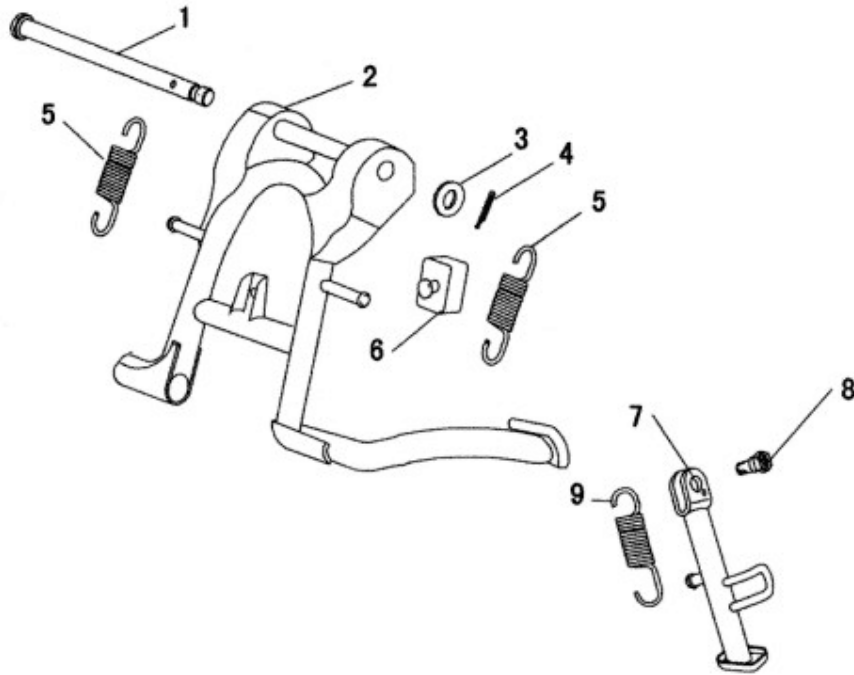


No.	Component and Parts No.	Name	Quantity
1	BT50QT-9-080100	Steering column welding assy	1
2	GB5787-86-M8;A35	Bolt flange	4
3	BT50QT-9-080001	Assmbling nut steering column	1
4	BT50QT-9-080302	Race strg top cone	1
5	BT50QT-9-080303	Ball steel assy	1
6	BT50QT-9-080301	Race upper strg ball	1
7	BT50QT-9-080401	Race under strg ball	1
8	BT50QT-9-080403	Ball steel assy	1
9	BT50QT-9-080402	Race strg bot cone	1
10	BT50QT-9-080210	Fr.Fork shock absorber assy(L)	1
11	BT50QT-9-080220	Fr.Fork shock absorber assy(R)	1
12	BT50QT-9-080500	Fender welding assy	1
13	GB818 M6;A12	Bolt	2
14	BT50QT-9-080002	Rubber taillight mounting	2
15	BT50QT-9-150001	Fr.Part,Fr.Fender	1
16	BT50QT-9-150002	Rear Part,Fr.Fender	1
17	GB5787-86-M6;A12	Bolt	2
18	BT50QT-9-000002	Rubber Fr.Fender	1



主
支
架
·
侧
支
架

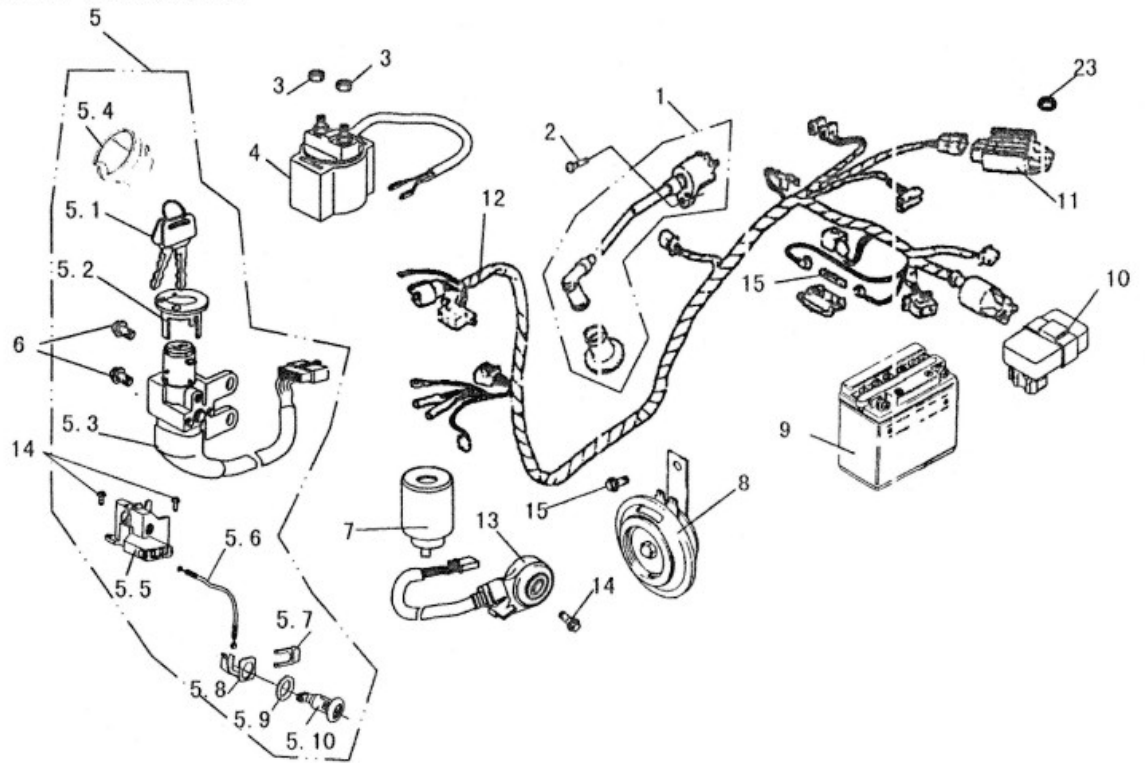
Main stand assy / Side stand assy



No.	Component and Parts No.	Name	Quantity
1	BT50QT-9-000501	Main stand assembling column	1
2	BT50QT-9-000510	Main stand welding assy	1
3	GB97.1-8	Washer 8	1
4	GB91-86-1.5x24	Cotter pin	1
5	BT50QT-9-000502	Spring	2
6	BT50QT-9-000503	Limit space Rubber(stopper)	1
7	BT50QT-9-090100	Side stand welding assy	1
8	BT50QT-9-090002	Bolt	1
9	BT50QT-9-090004	Tension spring set	1



主 电 缆
Wire harness

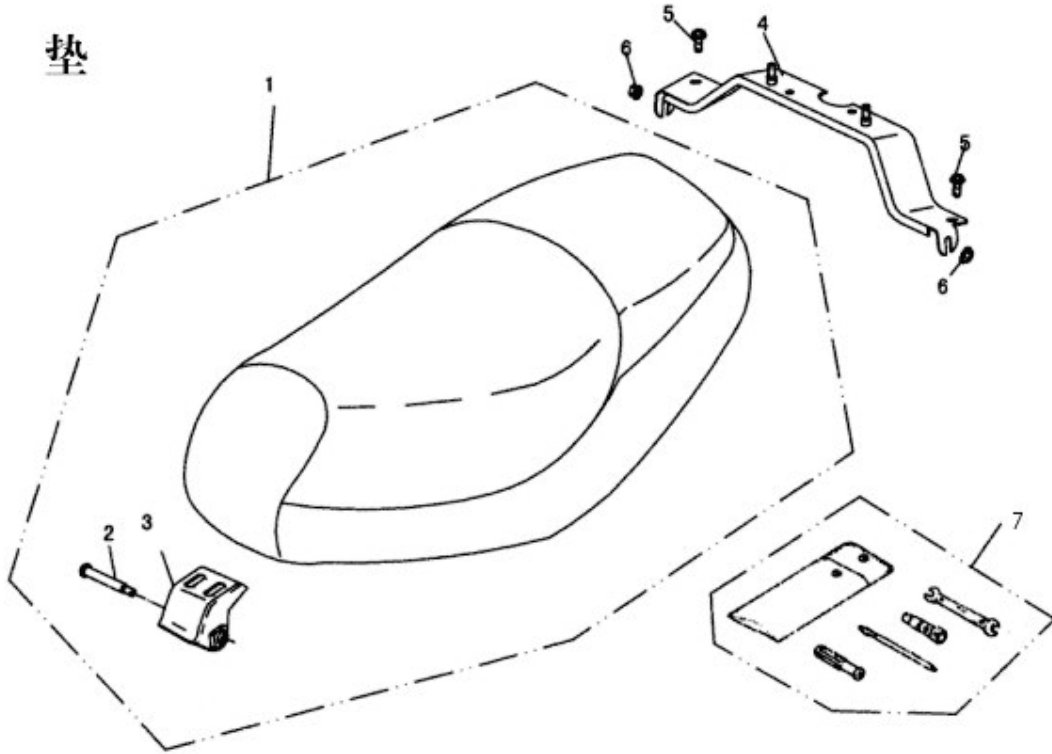


No.	Component and Parts No.	Name	Quantity
1	BT50QT-9-380100	Rear shock absorber assy	1
2	GB5787;A86 M10;A70	Bolt	1
3	GB5787;A86 M8;A35	Bolt	1



座 Seat

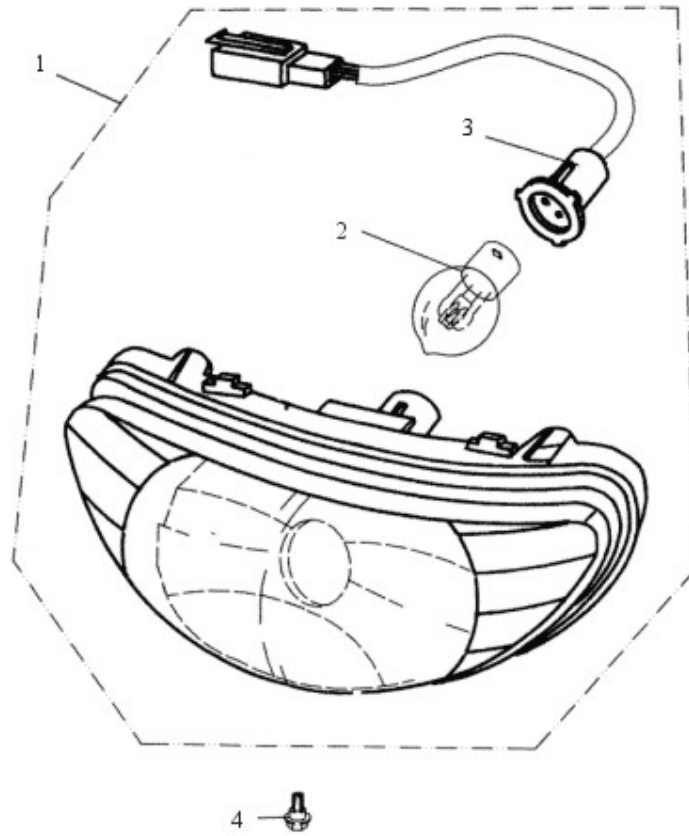
墊



No.	Component and Parts No.	Name	Quantity
1	BT50QT-9-180600	Coil assy ignition	1
2	GB818-M6jA20	Bolt	1
3	GB6177-M6	Nut	3
4	BT50QT-9-180400	Ignition coil	1
5	BT50QT-9-180900	Switch assy	1
6	GB5787-86-M6jA12	Bolt	2
7	BT50QT-9-180700	Buzzer bash relay	1
8	BT50QT-9-181000	Horn comp	1
9	BT50QT-9-180800	Battery	1
10	BT50QT-9-180500	CDI	1
11	BT50QT-9-180300	Rectifier adjuster	1
12	BT50QT-9-180200	Wiring assy	1
13	BT50QT-9-181800	(Off) switch assy	1
14	GB5787-86-M6jA16	Bolt	3
15	BT50QT-9-180201	Fuse	1
5	BT50QT-9-180901	Key	2
5	BT50QT-9-180902	Ignition switch cap	1
5	BT50QT-9-180910	Ignition switch	1
5	BT50QT-9-100200	Fuel cover assy	1
5	BT50QT-9-090800	Seal lock assy	1
6	BT50QT-9-090009	Link,seat lock	1
6	BT50QT-9-070106	Spring seat lock	1
6	BT50QT-9-070104	Cushion lock assembling frame	1
6	BT50QT-9-070105	Rubber ring	1
5	BT50QT-9-070103	Cushion lock assy	1



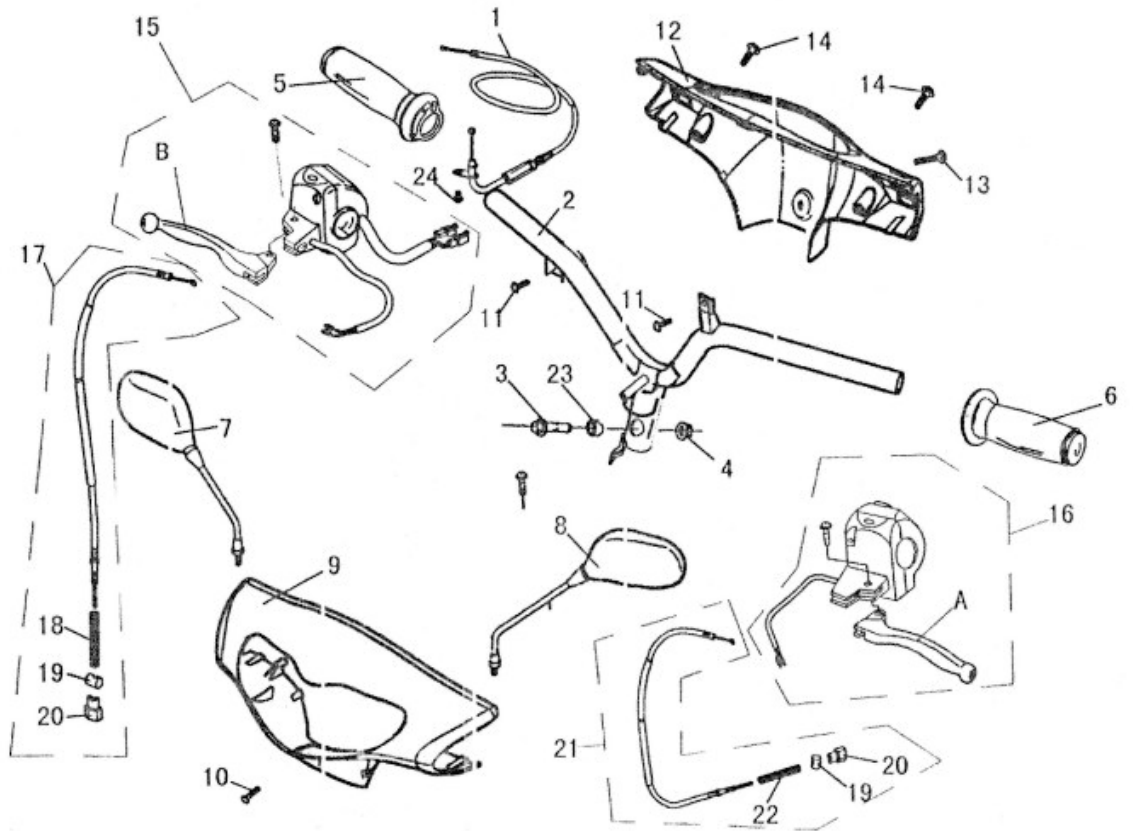
前大灯 Head light assy



No.	Component and Parts No.	Name	Quantity
1	BT50QT-9-180100	Head light assy	1
2	BT50QT-9-180120	Head light bulb	1
3	BT50QT-9-180130	Lamp housing	1
4	GB9074.1-M6jA25	Bolt	1



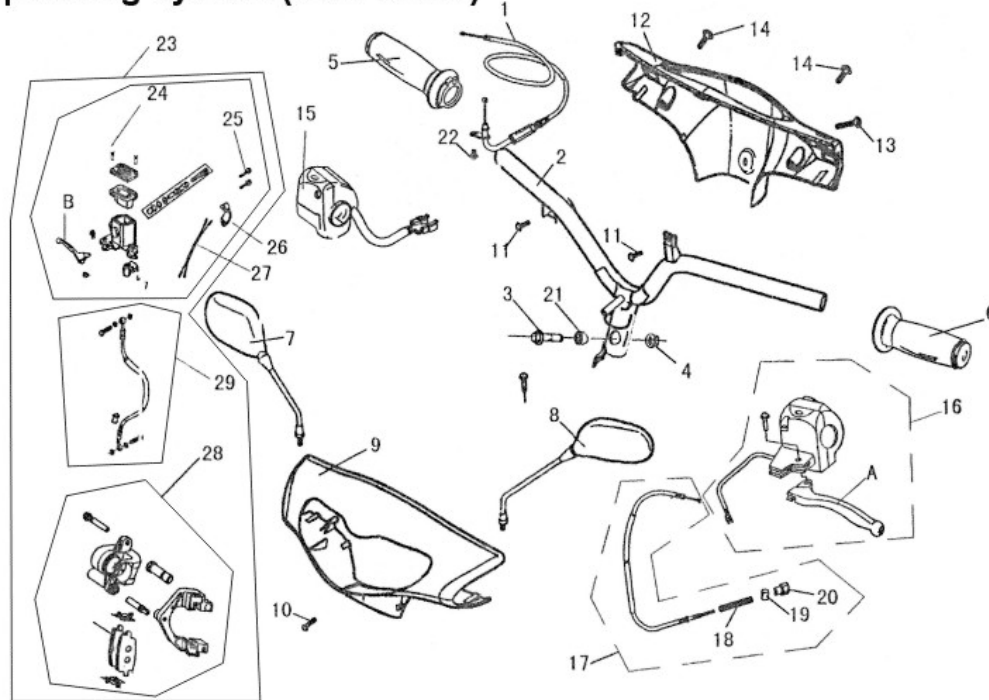
操纵系统 (鼓刹)
Operating system (drum brake)



No.	Component and Parts No.	Name	Quantity
1	BT50QT-9-110500	Throttle link assy	1
2	BT50QT-9-110100	Direction handle welding assy	1
3	GB5787-86-M10jA50	Bolt	1
4	GB6187-86-M10	Grip nut	1
5	BT50QT-9-110400	Grip throttle assy	1
6	BT50QT-9-110001	Left grip	1
7	BT50QT-9-110300	R.mirror comp back	1
8	BT50QT-9-110200	Lmirror comp back	1
9	BT50QT-9-110003	Fr.Part head cover	1
10	GB818-M5jA25	Bolt	1
11	GB845-ST4.8jA16	Screw tapping	2
12	BT50QT-9-110801	Rear part,head cover	1
13	BT50QT-9-110005	Bolt	1
14	GB845-ST4.2jA12	Screw,tapping	2
15	BT50QT-9-181300	R.handle switch assy	1
16	BT50QT-9-181200	L.handle switch assy	1
17	BT50QT-9-110600	Fr.Brake link assy	1
18	BT50QT-9-110601	Spring	1
19	BT50QT-9-110602	joint brake arm	2
20	BT50QT-9-110603	Nut adjust	2
21	BT50QT-9-110700	Rear brake link assy	1
22	BT50QT-9-110701	Spring	1
23	BT50QT-9-110702	Bush	1
24	GB818-M5jA10	Bolt	1
25	BT50QT-9-181301	R.brake handle	1
26	BT50QT-9-181201	L.brake handle	1



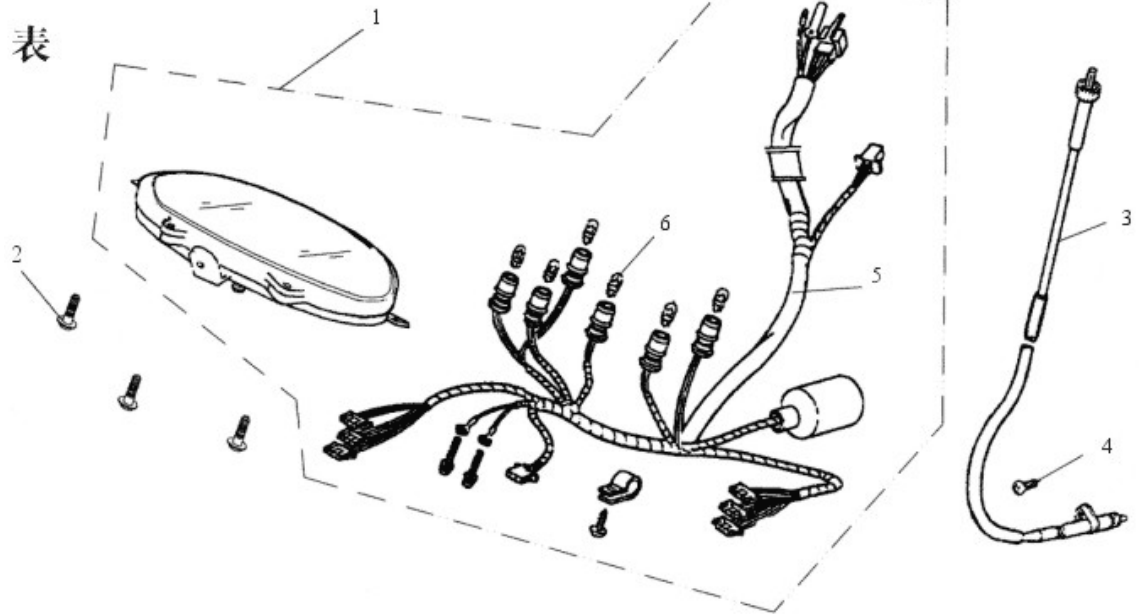
操纵系统 (碟刹) Operating system (disk brake)



No.	Component and Parts No.	Name	Quantity
1	BT50QT-9-110500	Throttle link assy	1
2	BT50QT-9-110100	Direction handle welding assy	1
3	GB5787-86-M10jÁ50	Bolt	1
4	GB6187-86-M10	Grip nut	1
5	BT50QT-9-110400	Crip throttle assy	1
6	BT50QT-9-110001	Left grip	1
7	BT50QT-9-110300	R.mirror comp back	1
8	BT50QT-9-110200	L.mirror comp back	1
9	BT50QT-9-110003	Fr.Part head cover with color	1
10	GB818-M5jÁ25	Bolt	1
11	GB845-ST4.8jÁ16	Screw tapping	2
12	BT50QT-9-110801	Rear part,head cover	1
13	BT50QT-9-110005	Bolt	1
14	GB845-SI4.2jÁ12	Screw,tapping	2
15	BT50QT-9-181300A	R.handle switch assy	1
16	BT50QT-9-181200	L.handle switch assy	1
17	BT50QT-9-110700	Rear Brake link assy	1
18	BT50QT-9-110701	Spring	1
19	BT50QT-9-110602	Joint brake arm	1
20	BT50QT-9-110603	Nut adjust	1
21	BT50QT-9-110002	Set	1
22	GBS18-M5jÁ10	Bolt	1
23	BT50QT-9-140000A	Disk brake assy	1
24	BT50QT-9-140100A	Master cylinder assy	1
25	GB5787-86-M6jÁ22	Bolt	2
26	BT50QT-9-140102A	Brakcket, master cylinder	1
27	BT50QT-9-140500A	FR.stop harness	1
28	BT50QT-9-140300A	Caliper assy	1
29	BT50QT-9-140200A	Brake hose assy	1
30	BT50QT-9-140003A	R.brake handle	1
31	BT50QT-9-181201	L.brake handle	1
32	BT50QT-9-140330A	Brake shoe assy.	1



仪 Meter assy

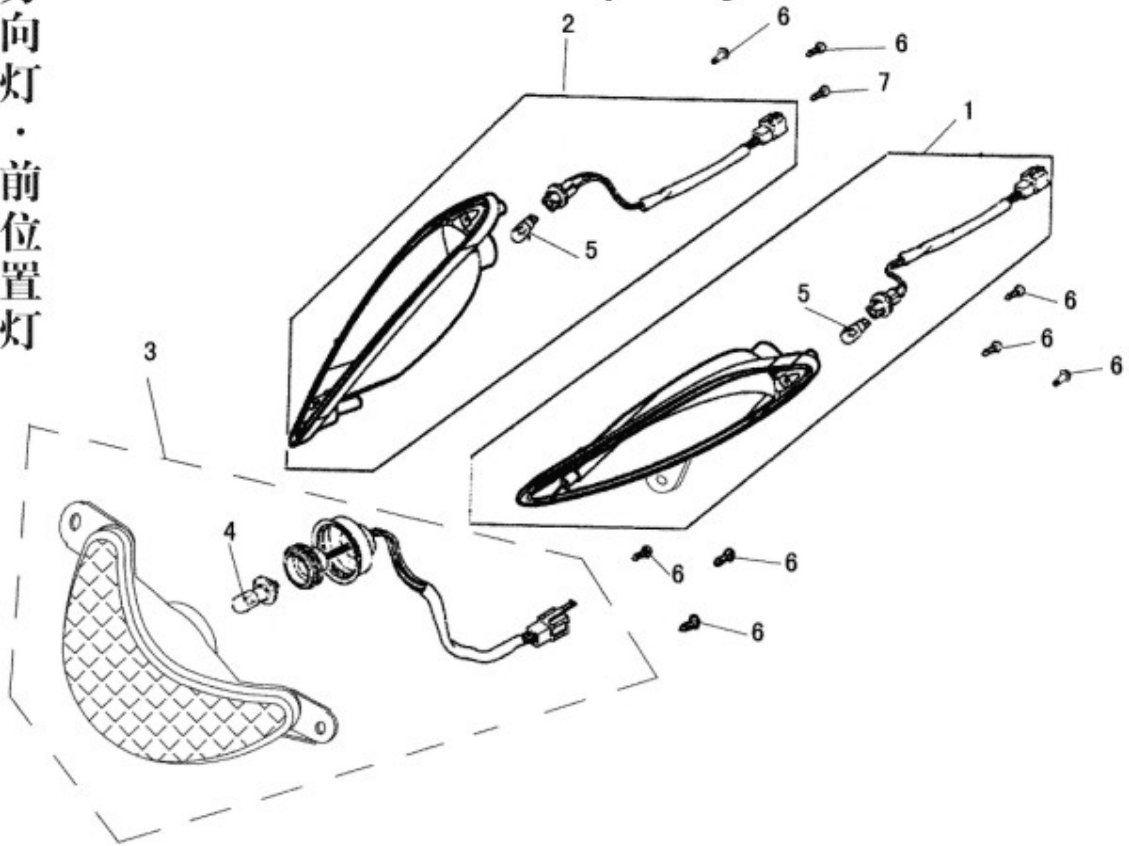


No.	Component and Parts No.	Name	Quantity
1	BT50QT-9-190100	Meter assy	1
2	GB845-ST4.8;A16	Screw tapping	3
3	BT50QT-9-190300	Odometer tube	1
4	GB819-M5;A16	Bolt	1
5	BT50QT-9-190200	Base	1
6	BT50QT-9-190210	Meter bulb	6



方向灯
·
前位置灯

Front winker / Front lamp assy

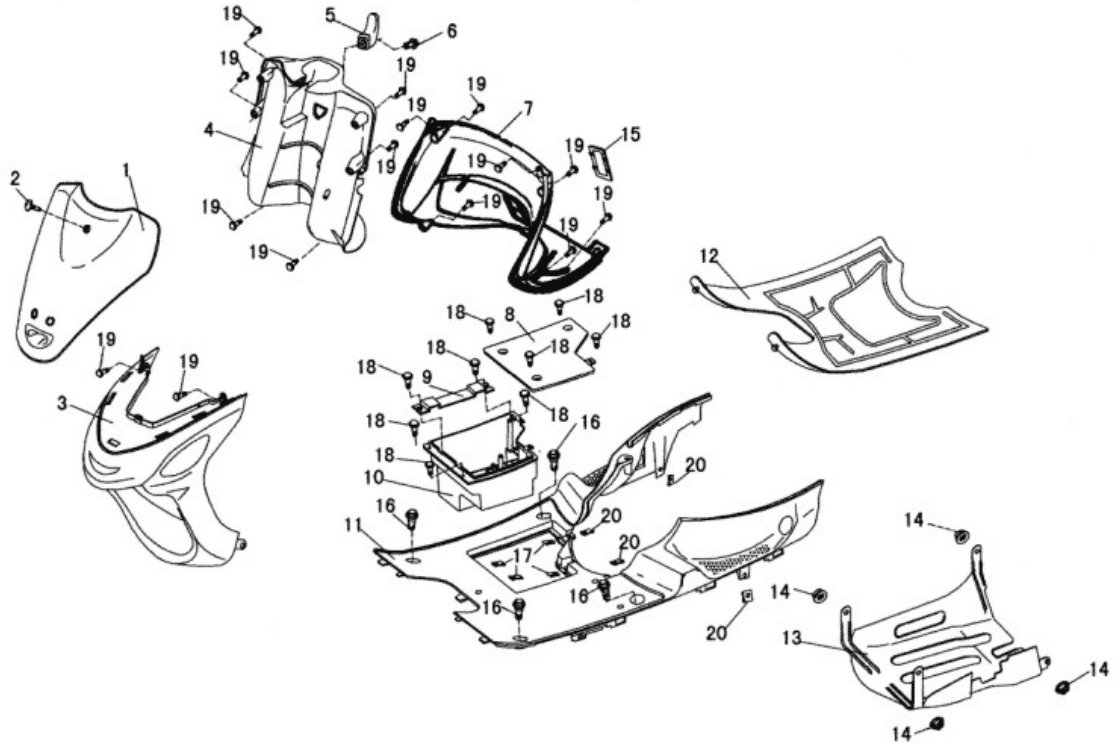


No.	Component and Parts No.	Name	Quantity
1	BT50QT-9-181400	Fr.left turn signal assy	1
2	BT50QT-9-181500	Fr.Right turn signal assy	1
3	BT50QT-9-181600	Fr.Lamp assy	1
4	BT50QT-9-181601	Fr.Lamp bulb	1
5	BT50QT-9-181401	Turn signal bulb	2
6	GB845-ST4.2;A12	Screw tapping	9



前罩 / Floor pedal

前罩
·
脚踏板

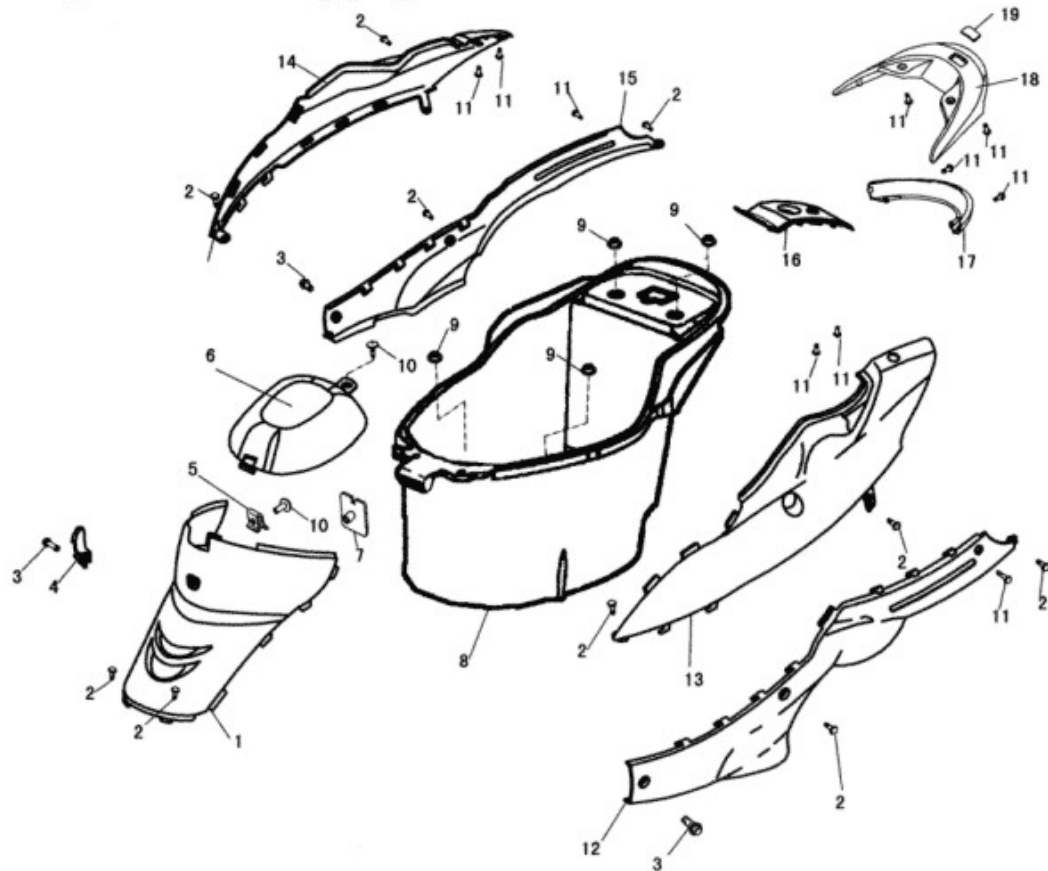


No.	Component and Parts No.	Name	Quantity
1	BT50QT-9-020001	Fr.Cover	1
2	BT50QT-9-020002	Assmbling,nut,Fr,cover board	1
3	BT50QT-9-000301	Fr.Cover Fr. fender comp	1
4	BT50QT-9-030001	Rear upper part (Fr.Cover)	1
5	BT50QT-9-030004	Small pothook	1
6	GB5787-86-M6jA12	Bolt	1
7	BT50QT-9-030002	Rear lower part(Fr,cover))	1
8	BT50QT-9-050004	Battery box cover	1
9	BT50QT-9-050003	Battery band	1
10	BT50QT-9-050002	Battery box	1
11	BT50QT-9-050001	Pedal	1
12	BT50QT-9-000001	Pedal rubber	1
13	BT50QT-9-090007	Bottom cover	1
14	GB6177-86-M6	Nut	4
15	BT50QT-9-030003	Fork number board	1
16	GB5787-86-M6jA20	Bolt	4
17	BT50QT-9-050005	Clip(4.8)	4
18	GB845-ST4.8jA16	Screw,tapping	7
19	GB845-ST4.2jA12	Screw,tapping	16
20	BT50QT-9-050007	Clip(4.2)	4



车 Body cover / Luggage box

车
体
盖
·
行
里
箱

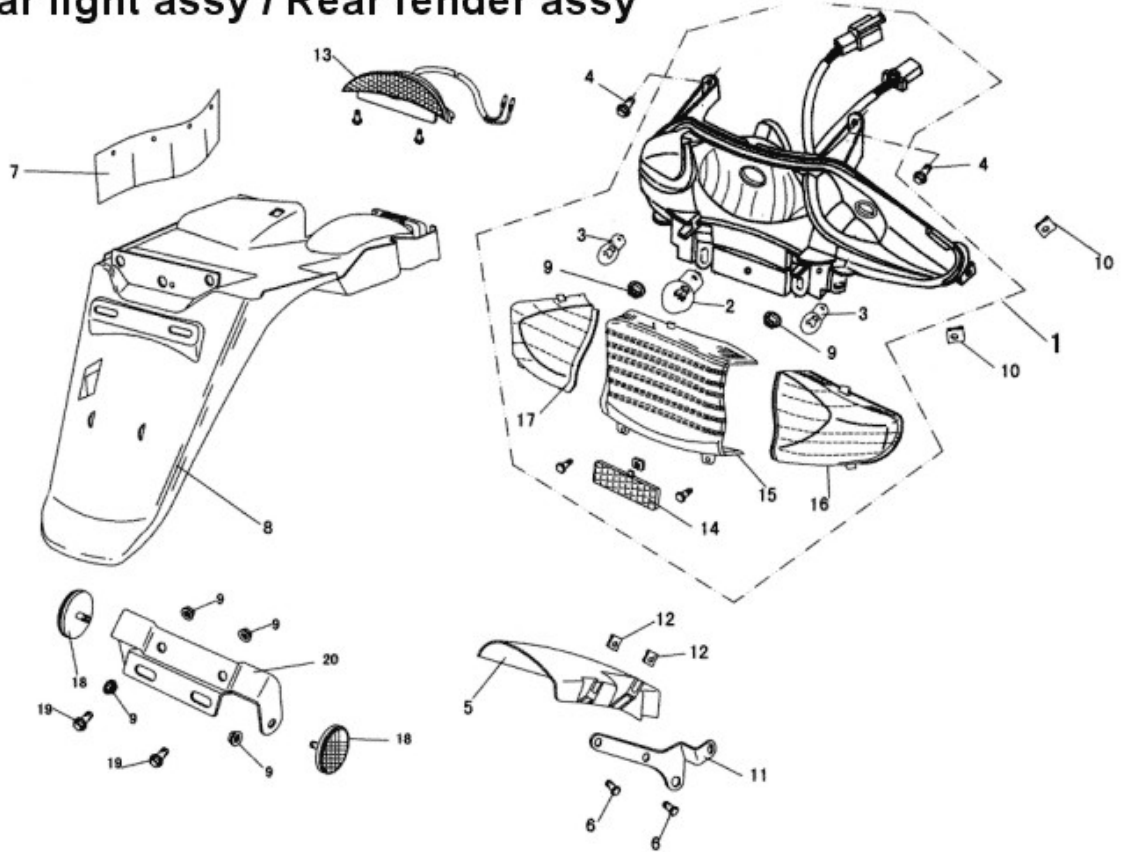


No.	Component and Parts No.	Name	Quantity
1	BT50QT-9-000401	Center protect cover	1
2	GB845-ST4.8;A16	Screw tapping	10
3	GB5787 M6;A12	Bolt	3
4	BT50QT-9-000402	Pothook(Big)	1
5	BT50QT-9-000403	Clip nut	1
6	BT50QT-9-040002	Luggage box inter cover	1
7	BT50QT-9-000406	Hook assembling welding assy	1
8	BT50QT-9-040001	Luggage box	1
9	GB923-88-M6	Nut	4
10	BT50QT-9-020002	Bolt	2
11	GB845-ST4.2;A12	Screw tapping	10
12	BT50QT-9-070002	Left side cover	1
13	BT50QT-9-070101	Left tail cover	1
14	BT50QT-9-070201	Right tail cover	1
15	BT50QT-9-070003	Right side cover	1
16	BT50QT-9-070001	Tail cover connecting board	1
17	BT50QT-9-070004	Tail lamp cover	1
18	BT50QT-9-330001	Cover board rear tail fork	1
19	BT50QT-9-330002	Rear tail fork cover	1



尾灯 · 后挡泥板 Rear light assy / Rear fender assy

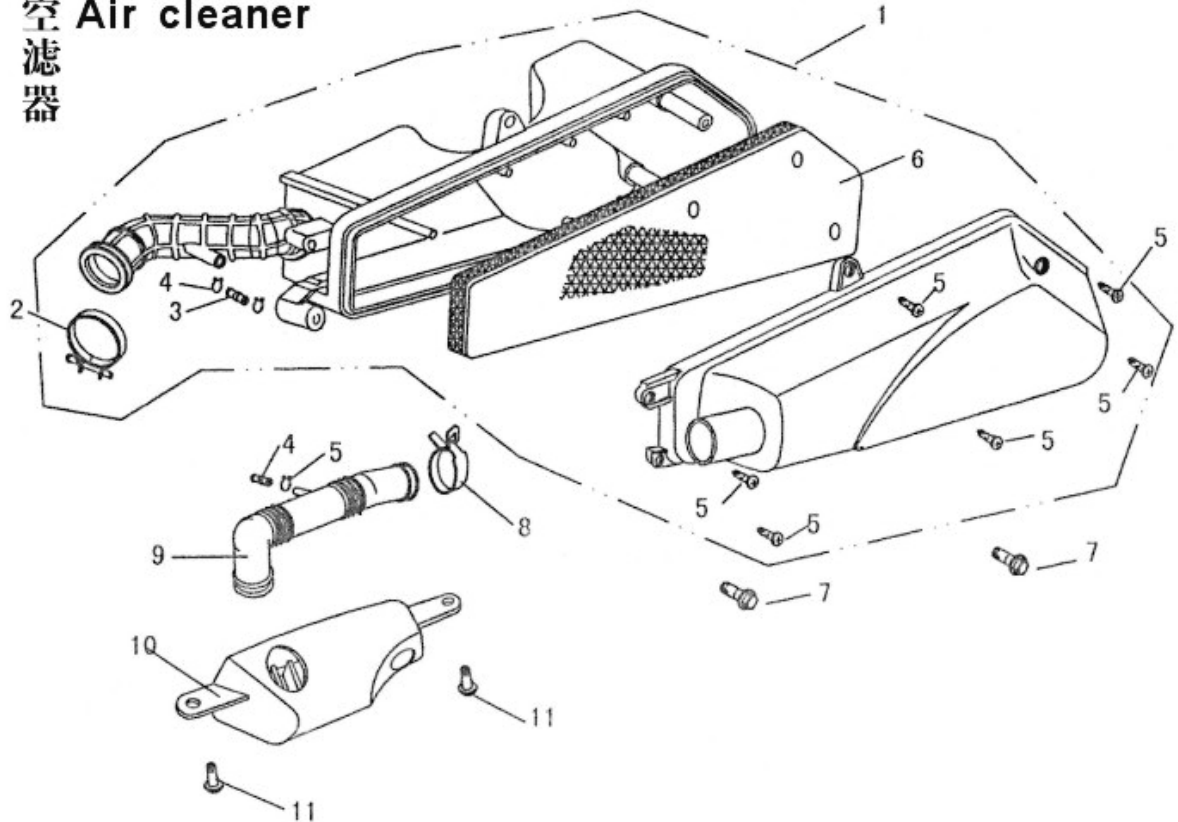
尾灯 · 后挡泥板



No.	Component and Parts No.	Name	Quantity
1	BT50QT-9-181100	Rear light assy	1
2	BT50QT-9-181130	Taillamp	1
3	BT50QT-9-181120	Turn signal llamp	2
4	GB5787-86-M6 \dot{A} 12	Bolt	2
5	BT139QMB-000006	Small fender	1
6	GB818-M5 \dot{A} 12	Bolt	2
7	BT50QT-9-350002	Rubber	1
8	BT50QT-9-350001	Rear fender	1
9	GB6177-86-M6	Nut	6
10	BT50QT-9-050007	Clip(4.2)	4
11	BT139QMB-000007	Fender frame	1
12	BT139QMB-000008	Nut clip	2
13	BT50QT-9-181700	Decorating lamp assy	1
14	BT50QT-9-181140	Rear reflect	1
15	BT50QT-9-181103	Tail lamp cover	1
16	BT50QT-9-181102	Turn right lamp cover	1
17	BT50QT-9-181101	Turn left lamp cover	1
18	BT50QT-9-350100	Reflect	2
19	GB5787-86-M6 \dot{A} 16	Bolt	2
20	BT50QT-9-350200	Assembling frame	1



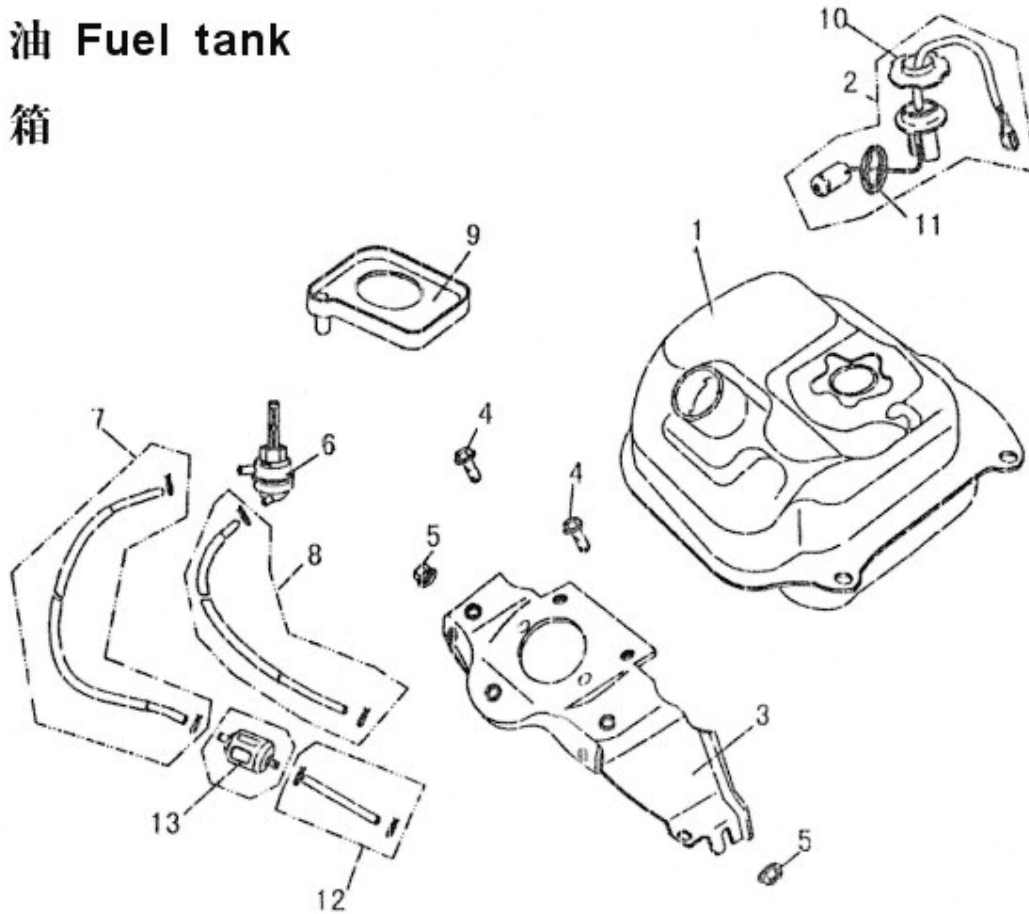
空
滤
器
Air cleaner



No.	Component and Parts No.	Name	Quantity
1	BT50QT-9-780100	Air clean assy	1
2	BT50QT-9-780110	Clip, tube	1
3	BT50QT-9-780007	Tube	2
4	BT50QT-9-780003	Clip, tube(A)	2
5	GB845-ST4.8jA19	Screw,tapping	6
6	BT50QT-9-780101	Air filter	1
7	GB5787-86-M6jA30	Bolt	2
8	BT139QMB-000021	Clip, tube	1
9	BT50QT-9-780001	Inlet tube	1
10	BT50QT-9-050006	Air tube	1
11	GB845-ST4.2jA12	Screw,tapping	2



油 Fuel tank 箱

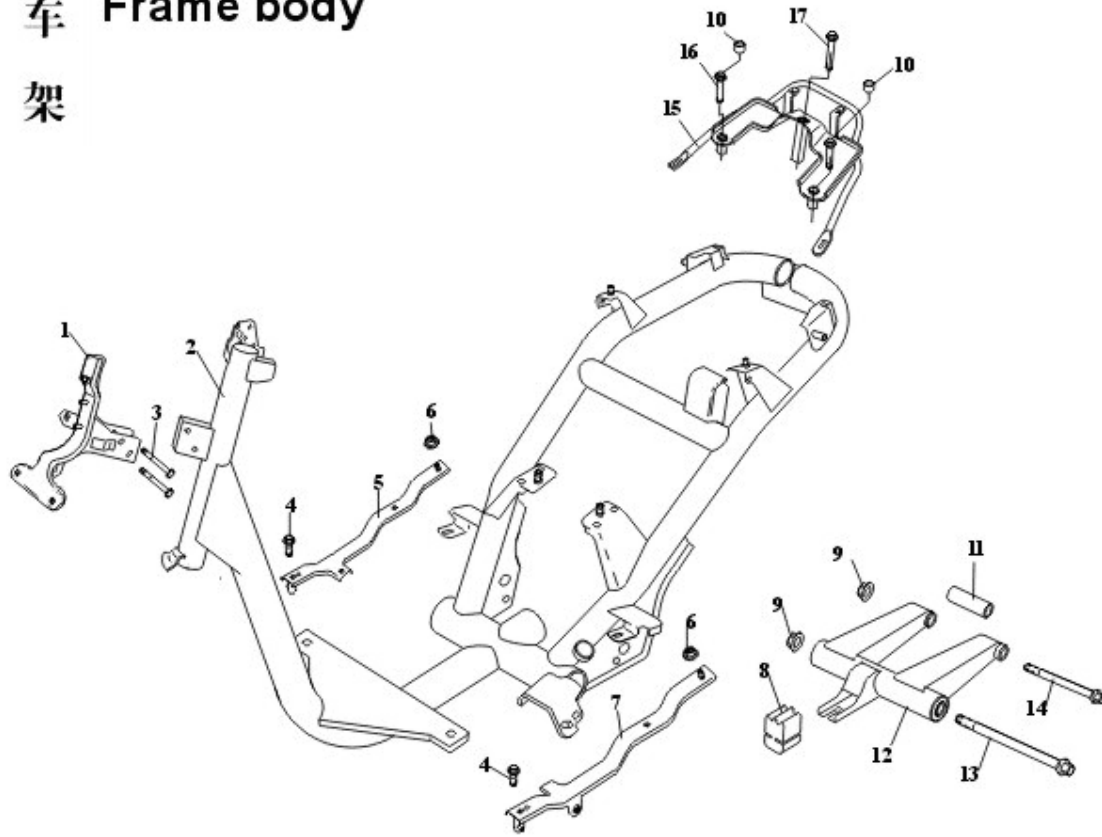


No.	Component and Parts No.	Name	Quantity
1	BT50QT-9-100100	Tank welding assy	1
2	BT50QT-9-100300	Fuel transducer	1
3	BT50QT-9-090600	Tail fork assembling board welding assy	1
4	GB5787-86-M6 _i A12	Bolt	2
5	GB6177-86-M6	Nut	2
6	BT50QT-9-100400	Fuel cock assy	1
7	BT50QT-9-100001	Tube fule A	1
8	BT50QT-9-100002	Tube vjacuum	1
9	BT50QT-9-100005	Rubber	1
10	BT50QT-9-100003	Transducer pressure cover	1
11	BT50QT-9-100301	Rubber ring	1
12	BT50QT-9-100004	Tube fule B	1
13	BT50QT-9-100500	Tube filter	1



车 架

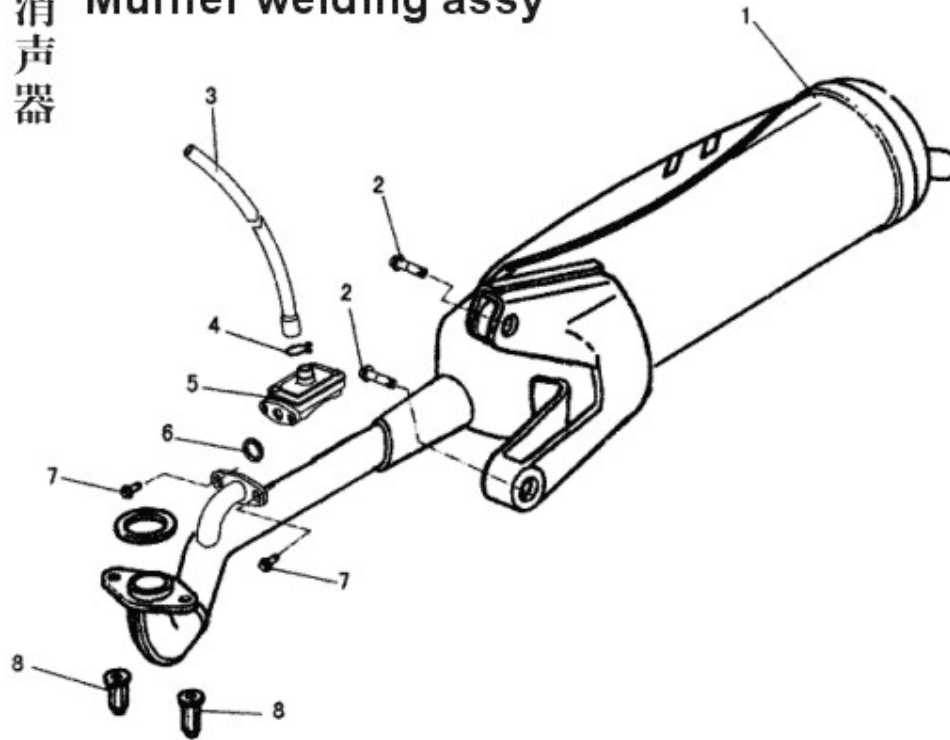
Frame body



No.	Component and Parts No.	Name	Quantity
1	BT50QT-9-090400	Fr.assembling frame welding assy	1
2	BT50QT-9-091000	Main frame welding assy	1
3	GB5787-86-M6 _i Á30	Bolt, flange	2
4	GB5787-86-M6 _i Á12	Bolt, flange	2
5	BT50QT-9-090300	Right assembling frame welding assy	1
6	GB6177-86-M6	Nut	2
7	BT50QT-9-090200	Left assembling frame welding assy	1
8	BT50QT-9-090003	Rubber cushion	1
9	GB6187-86-M10 _i Á1.25	Nut	2
10	BT50QT-9-330003	Rubber cap	2
11	BT50QT-9-090011	Set	1
12	BT50QT-9-090700	Rock frame welding assy	1
13	BT50QT-9-090001	Rock frame assembling shaft	1
14	BT50QT-9-090008	Engine assembling shaft	1
15	BT50QT-9-330100	Assembling fork assy rear tail fork	1
16	GB70-M8 _i Á45	Bolt hex	2
17	GB70-M8 _i Á85	Bolt hex	1



消声器 Muffler welding assy

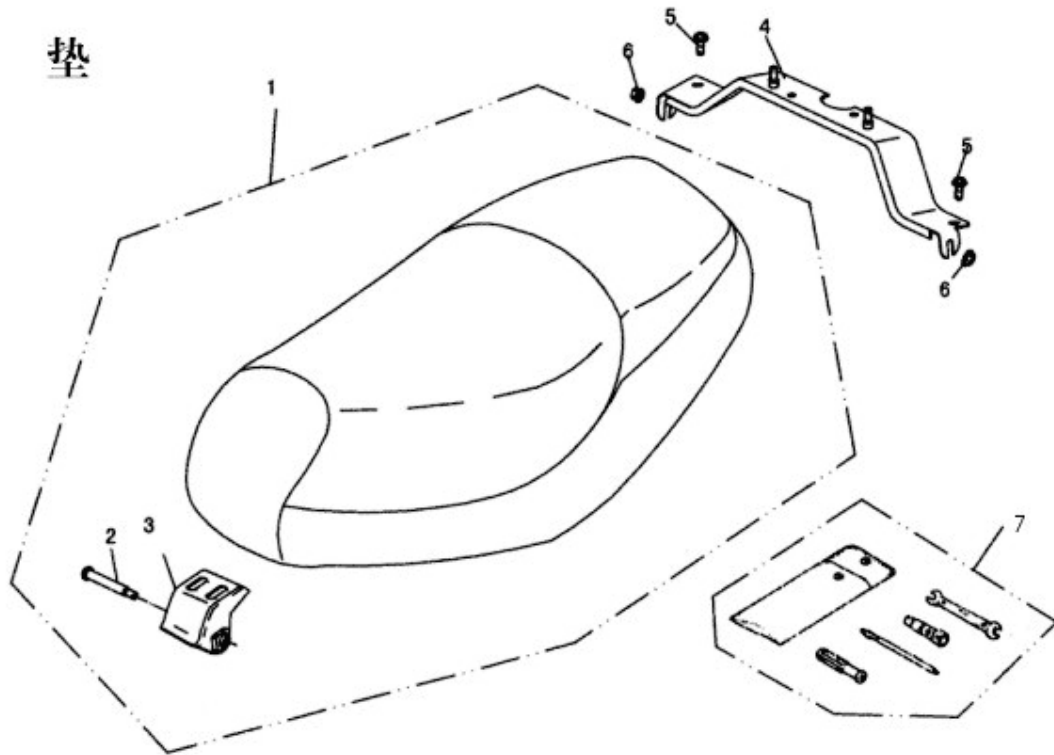


No.	Component and Parts No.	Name	Quantity
1	BT50QT-120100	Muffler welding assy	1
2	GB5787-86-M8 _i A35	Bolt	2
3	BT50QT-780002	Tube	1
4	BT50QT-780004	Hoop(B)	1
5	BT50QT-120300	Control valve	1
6	BT50QT-120002	Washer plain	1
7	GB5787-86-M6 _i A12	Bolt	2
8	BT50QT-120001	Muffler nut	2



座 Seat

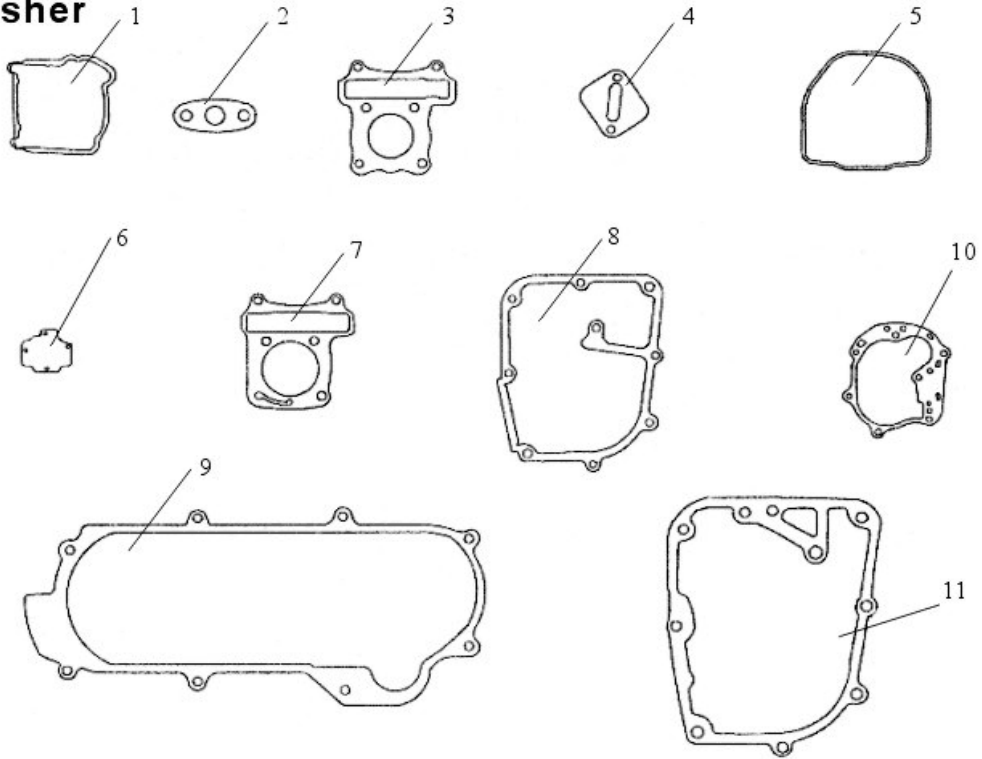
墊



No.	Component and Parts No.	Name	Quantity
1	BT50QT-9-130000	Seat assy	1
2	BT50QT-9-130001	Column	1
3	BT50QT-9-130100	Seat assembling frame	1
4	BT50QT-9-090500	Assembling frame welding assy	1
5	GB5787-86-M6 \times 12	Bolt	2
6	GB6177-86-M6	Nut	2
0	7	Tool set	1



墊 Washer
 片

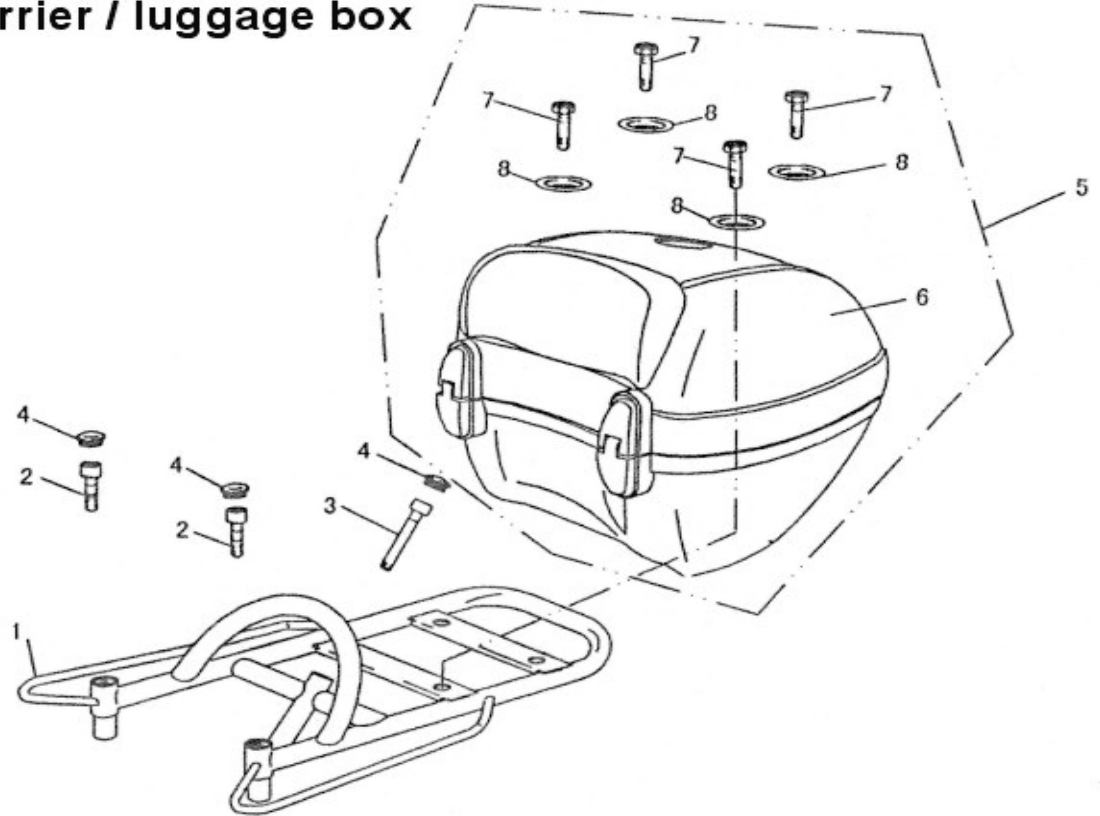


No.	Component and Parts No.	Name	Quantity
1	BT139QMB-000106	Seal ring	1
2	BT139QMB-010107	Cap rubber washer	1
3	BT139QMB-000001	Head,cylinder washer	1
4	BT139QMB-080601	Gasket, tensioner lifter	1
5	BT139QMB-160001	Cylinder cover gasket	1
6	BT139QMB-160204	Ventilating chamber cover	1
7	BT139QMB-000002	Gasket, cylinder	1
8	BT139QMB-000007	Gasket, Crank case	1
9	BT139QMB-000004	Gasket, L-cover	1
10	BT139QMB-000006	Gasket, rear cover	1
11	BT139QMB-000003	Gasket, R-cover	1



Carrier / luggage box

后
货
架
·
后
尾
箱



No.	Component and Parts No.	Name	Quantity
1	BT50QT-9-330100A	Carrier assy	1
2	GB70 M8;A45	Bolt M8;A45	2
3	GB70 M8;A85	Bolt M8;A85	1
4	BT50QT-9-330003A	Rubber cap	3
5	BT50QT-9-330200A	luggage box assy	1
6	BT50QT-9-330210A	luggage box	1
7	GB57838-86 M8;A40	Bolt	3
8	BT50QT-9-330201A	Disk	3